



Star
Manufacturing
International Inc.

10 Sunnen Drive
St. Louis, MO 63143

Phone: (314) 781-2777
Fax: (314) 781-2714

Installation and
Operating Instructions
Instructions d'installation
et d'opération

2M-Z5486 Rev. B 12/19/08

ULTRA-MAX™ GAS HOTPLATE MODELS

HOTPLATE DE GAZ ULTRA-MAX™ MODELES

802H, 804H,
806H, and 808H



WARNING: Improper installation, adjustment, alteration, service or maintenance can cause property damage, injury or death. Read the installation, operating and maintenance instructions thoroughly before installing or servicing this equipment.

AVERTISSEMENT: L'installation inexacte, le réglage, le changement, le service ou l'entretien peuvent causer des dégâts matériels, des dommages ou la mort. Lisez les instructions d'installation, d'opération et d'entretien complètement avant d'installer ou entretenir ce matériel.

FOR YOUR SAFETY: Do not store or use gasoline or other flammable vapors or liquids in the vicinity of this or any other appliance.

POUR VOTRE SÛRETÉ: N'enregistrez pas ou n'utilisez pas l'essence ou d'autres vapeurs ou liquides inflammables à proximité de ceci ou d'aucun autre appareil.

WARNING: This appliance shall be installed in accordance with current regulations and used only in well-ventilated space. Refer to instructions before installing and using this appliance.

AVERTISSEMENT: Cet appareil sera installé selon des règlements actuels et utilisé seulement dans l'espace bien-aéré. Référez-vous aux instructions avant d'installer et utiliser cet appareil.

In addition, there should be posted, in a prominent location, detailed instructions to be followed in the event the operator smells gas. Obtain the instructions from the local gas supplier.

En outre, là devrait être signalé, dans un emplacement en avant, des instructions détaillées d'être suivi en cas que l'opérateur sent le gaz. Obtenez les instructions du fournisseur local de gaz.

SAFETY SYMBOL



These symbols are intended to alert the user to the presence of important operating and maintenance instructions in the manual accompanying the appliance.

RETAIN THIS MANUAL FOR FUTURE REFERENCE NOTICE

Using any part other than genuine Star factory supplied parts relieves the manufacturer of all liability.

Star reserves the right to change specifications and product design without notice. Such revisions do not entitle the buyer to corresponding changes, improvements, additions or replacements for previously purchased equipment.

Due to periodic changes in designs, methods, procedures, policies and regulations, the specifications contained in this sheet are subject to change without notice. While Star Manufacturing exercises good faith efforts to provide information that is accurate, we are not responsible for errors or omissions in information provided or conclusions reached as a result of using the specifications. By using the information provided, the user assumes all risks in connection with such use.

MAINTENANCE AND REPAIRS

Contact your local authorized service agent for service or required maintenance. Please record the model number, serial number, voltage and purchase date in the area below and have it ready when you call to ensure faster service.

Model No. _____

Serial No. _____

Voltage _____

Purchase Date _____

Authorized Service Agent

Reference the listing provided with the unit

or

for an updated listing go to:

Website: www.star-mfg.com
E-mail Service@star-mfg.com
Telephone: (800) 807-9054 Local (314) 781-2777

The Star Service Help Desk

Business Hours: 8:00 am to 4:30 p.m. Central Standard Time

Telephone: (800) 807-9054 Local (314) 781-2777

Fax: (800) 396-2677 Local (314) 781-2714

E-mail Parts@star-mfg.com
Service@star-mfg.com
Warranty@star-mfg.com

Website: www.star-mfg.com

Mailing Address: Star Manufacturing International Inc.
10 Sunnen Drive
St. Louis, MO 63143
U.S.A

SPECIFICATIONS:

802H

Type: Manual Control, 2-Burner

2 Controls, 60,000 BTUH Total Natural Gas (30,000 BTUH Nat/26,000 BTUH LP per burner)

Approximate Weight: Installed - 70 Lbs (31.7 kg), shipping - 120 Lbs (54.4 kg)

Dimensions: 12" - Width, 30 5/8" - Depth, 14 7/8" - Height
(30.5 cm - Width, 77.8 cm - Depth, 37.8 cm - Height)

804H

Type: Manual Control, 4-Burner

4 Controls, 120,000 BTUH Total Natural Gas (30,000 BTUH Nat/26,000 BTUH LP per burner)

Approximate Weight: Installed - 140 Lbs (63.5 kg), shipping - 216 Lbs, (97.9 kg)

Dimensions: 24" - Width, 30 5/8" - Depth, 14 7/8" - Height
(61 cm - Width, 77.8 cm - Depth, 37.8 cm - Height)

806H

Type: Manual Control, 6-Burner

6 Controls, 180,000 BTUH Total Natural Gas (30,000 BTUH Nat/26,000 BTUH LP per burner)

Approximate Weight: Installed - 210 Lbs (95.2 kg), shipping - 294 Lbs, (133.3 kg)

Dimensions: 36" - Width, 30 5/8" - Depth, 14 7/8" - Height
(91.4 cm - Width, 77.8 cm - Depth, 37.8 cm - Height)

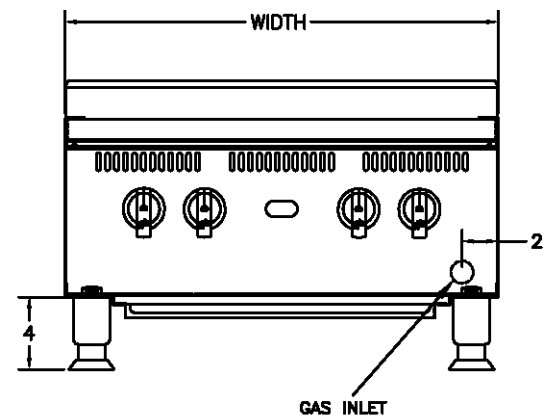
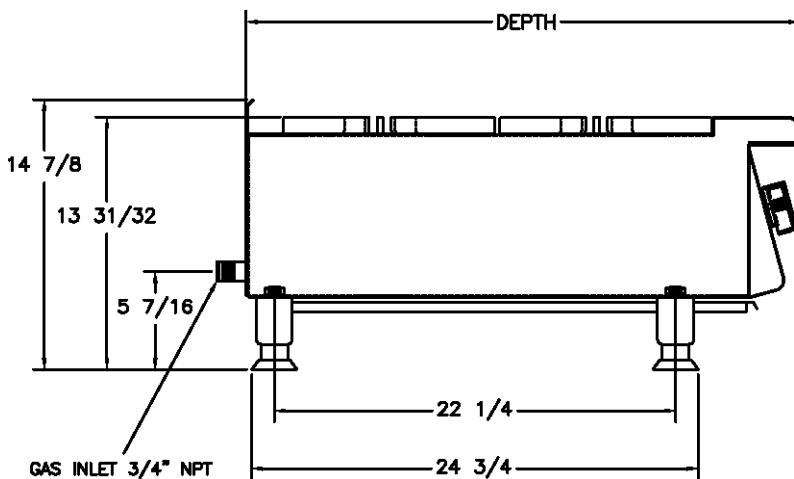
808H

Type: Manual Control, 8-Burner

8 Controls, 240,000 BTUH Total Natural Gas (30,000 BTUH Nat/26,000 BTUH LP per burner)

Approximate Weight: Installed - 280 Lbs (127 kg), shipping - 380 Lbs, (172.3 kg)

Dimensions: 48" - Width, 30 5/8" - Depth, 14 7/8" - Height
(122 cm - Width, 77.8 cm - Depth, 37.8 cm - Height)



GENERAL INSTALLATION DATA



CAUTION

This equipment is designed and sold for commercial use only by personnel trained and experienced in its operation and is not sold for consumer use in and around the home nor for use directly by the general public in food service locations.

The Ultra-Max™ series gas hotplate is equipped for the type of gas indicated on the nameplate mounted on the front panel. All units are shipped from the factory for use with natural gas. The unit can easily be converted for use with propane gas: see propane gas.

-IMPORTANT-

Be sure to remove all paper protection and packing material from unit prior to lighting.

Install on non-combustible countertop with 4" legs or combustible floor using a maximum 27" high stand. Clearance from combustible construction must be 9" minimum from back wall and 7" from side walls. Clearance from non-combustible surfaces on back and sides may be 0". For servicing, 6" is recommended from back of unit on non-combustible walls.

The installation of the Appliance must conform to the NATIONAL FUEL GAS CODE "ANSI Z223.1 - LATEST EDITION" AND ALL LOCAL GAS COMPANY RULES AND REGULATIONS.

IN CANADA INSTALLATION SHALL BE IN ACCORDANCE WITH THE CURRENT CAN/CGA-B149.1 NATURAL GAS INSTALLATION CODE OR CAN/CGA-B149.2 PROPANE INSTALLATION CODE AND LOCAL CODES WHERE APPLICABLE

NOTICE

When this appliance is installed with casters, it must be installed with the casters supplied, a connector complying with either ANSI Z21.69 or CAN/CGA-6.16 and a quick-disconnect device complying with either ANSI Z21.41 or CAN1-6.9. It must also be installed with restraining means to guard against transmission of strain to the connector, as specified in the appliance manufacturer's instructions.

For your protection, we recommend a qualified installing agency install this appliance. They should be familiar with gas installations and your local gas requirements. In any case, your gas company should be called to approve the final installation.

This appliance, its pressure regulator and its individual shutoff valve must be disconnected from the gas supply piping system during any pressure testing of that system at test pressures in excess of 1/2 PSIG. This appliance and its pressure regulator must be isolated from the gas supply piping system by closing its individual manual shutoff valve during any pressure testing of the gas supply piping system at test pressures equal to or less than 1/2 PSIG.

EXHAUST CANOPY

Open hotplates create fumes, moisture, heat, and should be installed under an efficient exhaust hood with flame proof filters. A vertical distance of not less than 48" shall be provided between the top of the appliance and filters or any other combustible material. Exhaust installation must conform to local codes.

AIR SUPPLY

Provisions for adequate air supply must be provided.



CAUTION

AIR INTAKES IN BOTTOM

Air for combustion enters from the front and bottom of the unit. **Do not obstruct this area.**

LEVELING UNIT

This hotplate is supplied with 4 feet or floor stand legs which must be screwed into the body. Unit must be level. Level unit by adjusting the (4) feet which have an adjustment of 1-3/4" for accurate and perfect line-up with other units.

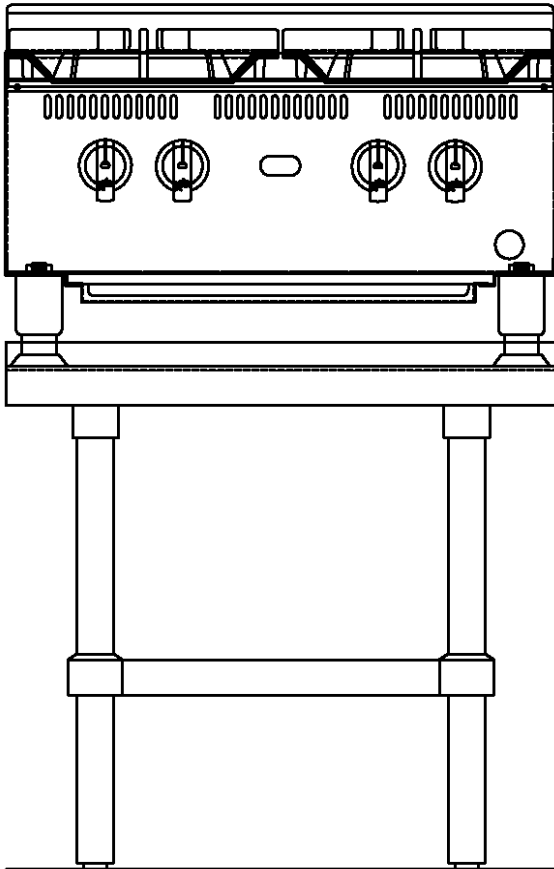


CAUTION

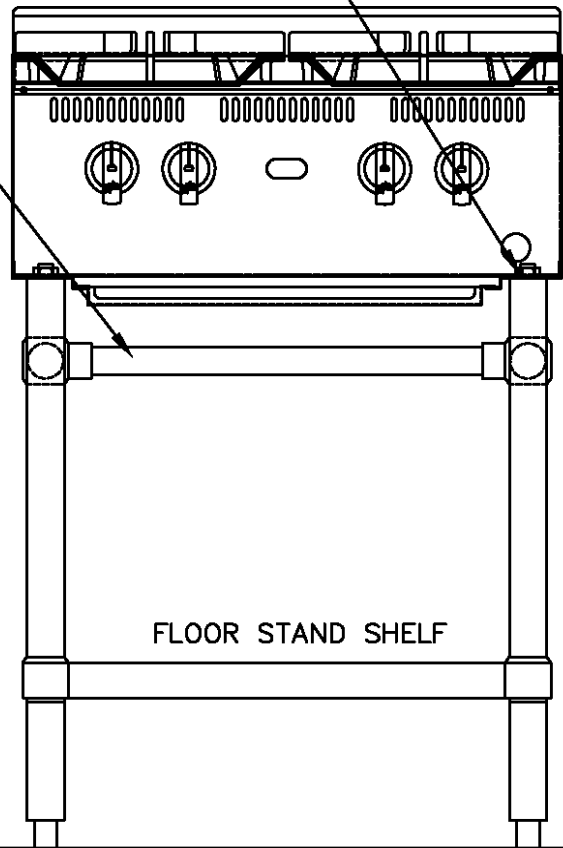
DO NOT INSTALL WITHOUT ATTACHING FEET OR SUPPLIED STAND LEGS AND SHELF - DO NOT REMOVE FEET.

STIFFENING SUPPORTS ON 808 MODEL ONLY

SCREW LEGS INTO MOUNTING NUTS ON BOTTOM



COUNTER TOP MODEL
ON OPTIONAL EQUIPMENT STAND



FLOOR STAND MODEL
(FLOOR STAND NOT AVAILABLE FOR 802 MODEL)

Caster Kits: Casters can be used with floor stand models or optional equipment stand. For installation, carefully mark and cut off from the bottom of each leg using a straight cutting saw and de-burr the inside tube wall prior to installing the caster. Cut leg should measure 19" tube length, not overall length. On SFC models only, use kit number ES-UM36SFC. Casters add about 6-1/4" of height to the unit. Be sure to use approved strain relief means for protecting gas line connection. If an appliance is equipped with casters and is gas connected with a quick connect coupling, all personnel must be aware that there is a restraint on the appliance and if disconnected for service or cleaning it must be reconnected as originally installed prior to use.

GAS PIPING

Gas piping shall be of such size and so installed as to provide a supply of gas sufficient to meet the full gas input of the appliance. If the appliance is to be connected to existing piping, it shall be checked to determine if it has adequate capacity. Joint compound shall be used sparingly and only on the male threads of the pipe joints. Such compounds shall be resistant to the action of L.P. gases. **WARNING:** Any loose dirt or metal particles which are allowed to enter the gas lines on this appliance will damage the valve and affect its operation. When installing this appliance, all pipe and fittings must be free from all internal loose dirt.

GAS PRESSURE REGULATOR

A convertible pressure regulator is provided with each hotplate. It should be connected to the inlet pipe at the rear of the unit. The gas supply is then connected to it. The supply pressure to the regulator is not to exceed 1/2 PSIG. It is shipped set for 5" water column manifold pressure for use with natural gas.

MANUAL SHUT OFF VALVE

A manual shut off valve should be installed upstream from the manifold and within six feet of the hotplate.

CONNECTING GAS SUPPLY LINE

The gas inlet of the hotplate is sealed at the factory to prevent entry of dirt. Do not remove this seal until the actual connection is made to the gas supply line.

PROPANE GAS - CONVERSION

This hotplate is equipped with fixed orifice hoods and is shipped from the factory for use with natural gas. To convert to propane gas, install the burner orifice hoods, located on the manifold, as follows:

1. Remove grates and burners.
2. Remove the burner orifice hoods and install the orifice hoods supplied.
3. Replace the burners and grates. Be sure venturi opening is positioned on valve orifice.
4. Set manifold pressure to (10) inch water column. A 1/8" pipe plug on the burner manifold can be removed for attaching a pressure gauge. Remove the slotted, or hex-threaded plug from the pressure regulator. Invert the plug and re-install. The letters "LP" should now be visible on the plug. The regulator is now set for 10" (25.4 cm) water column. Attach the conversion label, supplied with the unit, close to the nameplate on the top side of the front panel. Pilot flame may need to be adjusted for LP gas.

CHECKING FOR GAS LEAKS

Check entire piping system for leaks. Soap and water solution or other material acceptable for the purpose, shall be used in locating gas leakage.

CAUTION



Matches, candle flame or other sources of ignition shall not be used for locating gas leaks.

PILOT LIGHTING INSTRUCTIONS

The hotplate is equipped with factory pre-set standing pilots and should be lit immediately after the gas is turned on. Pilot lights may need an adjustment based on local gas supplies. See below for pilot light adjustments.

If the operator smells gas or the pilot lights need to be relit:

1. Turn off main valve to unit.
2. Turn off all knobs and pilot valves and wait 5 minutes to clear gas.
3. The pilot lights on this hotplate can be adjusted by turning the adjustable screw counterclockwise to open and clockwise to close.
4. Turn on main valve and light all pilots.
5. Adjust pilot light flames as small as possible around pilot head, usually about 1/4" high, but high enough to light burner immediately when burner valve is turned on high.
6. Turn burner knobs to desired setting.
7. To turn burners off, turn knobs clockwise to "OFF."

If interruption of the gas supply occurs, relighting of the pilot light will be needed.

BURNER IGNITION AND ADJUSTMENT

1. To ignite burners turn burner valve knob counter clockwise to "ON" position.
2. Slowly decrease openings of air shutters to give a soft blue flame having luminous tips, then slowly increase openings to a point where the yellow tips disappear and a hard blue flame is obtained.

LIGHTING

When hotplate is first lit, it may smoke for approximately 20-30 minutes until the preservation oils and impurities are burned off.

OPERATING INSTRUCTIONS

BOTTOM CRUMB PAN

The crumb pan is located at the bottom of the unit, and is easily removed from the front of the unit for cleaning. Be sure it is in place during operation.

BURNER OPERATION

Each burner is controlled by an individual on-off valve. A variety of temperatures may be obtained by turning the burner valve knob to any position between ON and OFF. It is possible through this arrangement to have a high heat section, while having a low heat simmering or holding section. For the high heat operation, turn the valve counter clockwise for the section to a position of ON or close to it. For holding or simmering, turn the valves closer to the OFF position on the dial. If even less heat is required, the valve may be turned OFF and the product kept warm on the pilot flame. You select the heat pattern you like and set the valves accordingly. **Be sure burners are staying fully lit when set in low positions.**

COMPLETE SHUTDOWN INSTRUCTIONS

Turn the burner valve knobs to the OFF position to turn burners off and close manual valve gas shutoff.

CLEANING

Clean regularly. Be sure appliance has cooled down. Remove grate section and burner head to sink for washing. Brush out carboned particles. Venturi must be free from grease, dirt, lint, or any foreign material. Remove and wash crumb pan. **Be sure to replace top grates laying flat and centered over the burner.** Wipe exterior surfaces with a mild detergent and a cloth. A non-abrasive cleaner can be used on caked areas. Be careful with spraying on some cleaners as they may contain abrasives and caustics which could scratch or damage the finish.

SYMBOLE DE SÉCURITÉ



Ces symboles sont utilisés pour souligner à l'utilisateur les instructions d'utilisation ou d'entretien importantes contenues dans le manuel qui accompagne l'appareil.

CONSERVEZ CE MANUEL POUR RÉFÉRENCE FUTURE AVIS

L'utilisation de toute pièce autre que les pièces d'origine STAR dégage le fabricant de toute responsabilité.

Star se réserve le droit de changer les spécifications et la conception du produit sans préavis. Ces changements ne donnent pas le droit à l'acheteur d'obtenir les changements, améliorations, ajouts ou remplacements correspondants pour l'équipement acheté préalablement.

Dû aux modifications périodiques de dessins, méthodes, procédures, règles et régulations, les spécifications contenues dans ce manuel sont susceptibles de changer sans préavis. Quoique STAR Manufacturing exerce la bonne foi de fournir le renseignement correct, STAR n'est pas responsable pour les erreurs ou les omissions dans le renseignement pourvu ou les conclusions tirées à la suite de l'utilisation des spécifications. En utilisant le renseignement pourvu, l'utilisateur assume tous les risques en relation avec telle utilisation.

ENTRETIEN ET RÉPARATIONS

Contactez votre détaillant local pour les réparations ou l'entretien requis. Assurez-vous d'avoir le numéro de modèle, le numéro de série, le voltage et la date d'achat pour un service plus rapide. Entrez l'information requise ci-dessous pour référence rapide.

N° de modèle _____
N° de série _____
Voltage _____
Date d'achat _____

Agent de service autorisé

Voir la liste pourvue avec l'appareil
Ou

Pour une liste mise à jour voir :

Site web : www.star-mfg.com
Courriel : Service@star-mfg.com

DONNÉES GÉNÉRALES D'INSTALLATION



ATTENTION

Cet équipement n'est conçu et vendu que pour l'utilisation commerciale par le personnel formé et sachant l'utiliser et il n'est pas vendu pour l'utilisation à la maison, ni pour l'usage du public dans les endroits de pique-nique.

Le hotplate de la série Ultra-Max est équipé pour le type de gaz indiqué sur la plaque du constructeur montée sur le panneau avant. Tous les appareils sont expédiés de l'usine pour l'utilisation au gaz naturel. Il est facile de convertir l'appareil en vue de l'utilisation au gaz propane : voir le gaz propane.

-IMPORTANT-

Soyez sûr d'enlever tout le matériel de papier de protection et d'emballage à partir de l'unité avant l'éclairage.

Installez sur le countertop non-combustible avec les jambes de 4" ou le plancher combustible en utilisant un stand 27" élevé maximum. Le dégagement avec la construction combustible doit être minimum de 9" de mur arrière et de 7" des murs latéraux. Le dégagement avec les surfaces non-combustibles dessus dos et côtés peut être 0". Pour entretenir, 6" est recommandé du dos de l'unité sur les murs non-combustibles.

L'installation de l'appareil doit se conformer au CODE NATIONAL DE GAZ COMBUSTIBLE "ANSI Z223.1 - TOUTE DERNIÈRE ÉDITION" DES ÉTATS-UNIS ET À TOUTES LES RÈGLES ET RÉGLEMENTATIONS DE LA COMPAGNIE DE GAZ LOCALE.

AU CANADA, L'INSTALLATION DOIT ÊTRE CONFORME AU CODE COURANT D'INSTALLATION AU GAZ NATUREL CAN/CGA-B149.1 OU AU CODE D'INSTALLATION AU PROPANE CAN/CGA-B149.2 ET AUX CODES LOCAUX, LE CAS ÉCHÉANT.

NOTIFICATION: Quand cet appareil est installé avec des roulettes, il doit être installé avec les roulettes fournies, un connecteur étant conforme à la norme ANSI Z21.69 ou au CAN/CGA-6.16 et à un dispositif rapide étant conforme à la norme ANSI Z21.41 ou au CAN1-6.9. Il doit également être installé avec des moyens retenants de garder contre la transmission de la contrainte au connecteur, comme indiqué dans les instructions du constructeur d'appareils.

Pour votre propre protection, on vous recommande de faire installer cet appareil par une agence d'installation qualifiée. Ils doivent connaître les installations de gaz et vos exigences de gaz locales. En tout cas, il faut appeler votre société du gaz pour l'approbation de l'installation finale.

Cet appareil, son régulateur de pression et ses vannes d'arrêt individuelles doivent être débranchés de la tuyauterie d'alimentation du gaz lors des essais de pression de la tuyauterie en question à des pressions en dessus de ½ PSIG. Cet appareil et son régulateur de pression doivent être isolés de la tuyauterie d'alimentation du gaz en fermant sa vanne d'arrêt manuelle individuelle lors des essais de pression de la tuyauterie d'alimentation de gaz à des pressions égales à ou de moins que ½ PSIG.

ÉPUISEZ LE BALDAQUIN

Les hotplates ouverts créent des vapeurs, humidité, la chaleur, et devraient être installés sous un capot efficace d'échappement avec des filtres de preuve de flamme. Une distance verticale pas moins de 48" sera fournie entre le dessus de l'appareil et des filtres ou de n'importe quel autre matériel combustible. L'installation d'échappement doit se conformer aux codes locaux.

LA PROVISION DE L'AIR

Les vivres pour provision de l'air adéquate doivent être fournis.



ATTENTION

PRISES D'AIR EN BAS

L'air pour la combustion entre de l'avant et du bas de l'unité. **Ne pas boucher cette section.**

ÉQUILIBRAGE DE L'APPAREIL

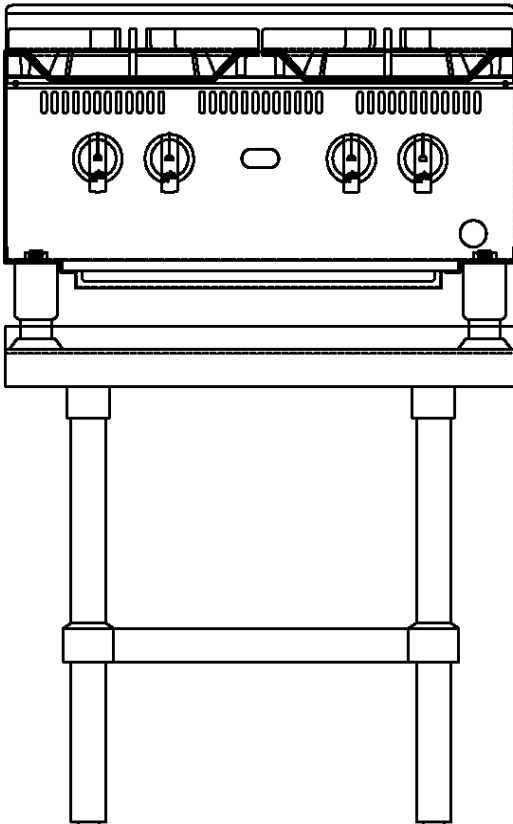
Ce hotplate est assuré avec 4 pieds ou jambes de stand de plancher qui doivent être vissés dans le corps. L'unité doit être niveau. Équilibrer l'appareil en ajustant les (4) pieds qui ont un réglage de 1-3/4 po., en vue d'un alignement exact et parfait avec d'autres appareils.



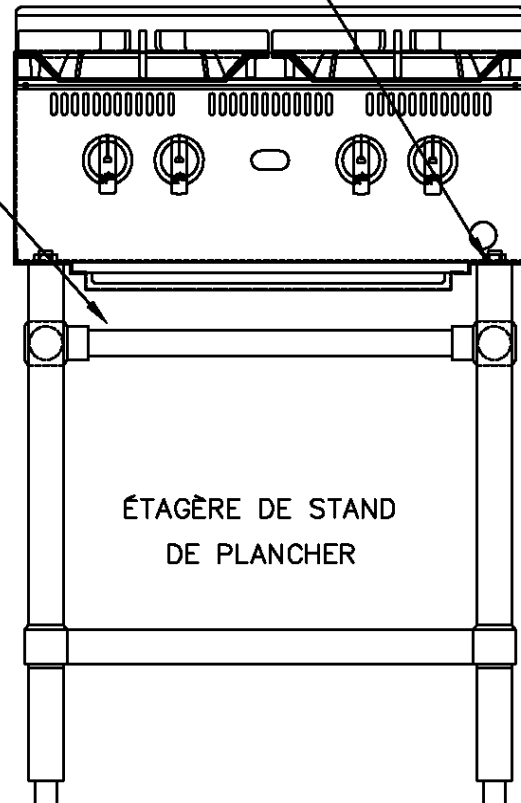
ATTENTION
N'INSTALLEZ PAS SANS ATTACHER ES
PIEDS OU DES JAMBES ET L'ETAGERE
FOURNIES DE STAND.

RAIDISSANT DES APPUIS SUR 808 MODÈLES SEULEMENT

VISSEZ LES JAMBES DANS DES ÉCROUS DE SUPPORT SUR LE BAS



CONTRE- MODÈLE SUPÉRIEUR SUR
LE STAND FACULTATIF DE MATÉRIEL



MODÈLE DE STAND DE PLANCHER
(STAND DE PLANCHER NON DISPONIBLE POUR LE MODÈLE 802)

Lots de roulettes: Des roulettes peuvent être utilisées avec les modèles de stand de plancher ou le stand de matériel facultatif. Pour d'installation la marque soigneusement et découpé le de bas de chaque jambe en utilisant une scie et un de-burr droits de découpage le mur intérieur de tube avant d'installer la roulette. La jambe de coupe devrait mesurer 19" longueur de tube, longueur hors-tout. Les roulettes ajoutent environ 6-1/4" de taille à l'unité. Soyez sûr d'utiliser des moyens approuvés de passe-fils pour protéger la connexion de ligne de gaz. Si un appareil est équipé des roulettes et est gaz lié à un rapide relie le couplage, tout le personnel doit se rendre compte qu'il y ait une contrainte sur l'appareil et si débranché pour le service ou le nettoyage qu'il doit être rebranché comme initialement installé avant l'utilisation.

TUYAUTERIE À GAZ

La taille de la tuyauterie à gaz et la façon dont elle est installée doivent être telles qu'elle fournisse une alimentation suffisante de gaz pour répondre aux exigences d'admission de pleine puissance dans l'appareil. S'il faut raccorder l'appareil à la tuyauterie existante, il faut vérifier cette dernière pour déterminer si elle a la capacité nécessaire. Il ne faut utiliser le composé combiné que modérément et seulement sur les filetages mâles des raccords à tuyaux. Ces composés doivent résister à l'action des gaz propane. **AVERTISSEMENT** : Toute impureté libre ou particule métallique qui entre dans les canalisations de gaz de cet appareil endommagera la vanne et en affectera le fonctionnement. Lors de l'installation de cet appareil, tous les tuyaux et raccords doivent être exempts de toute impureté interne libre.

RÉGULATEUR DE PRESSION DU GAZ

Chaque hotplate est fourni avec un régulateur de pression convertible. Il doit être raccordé au tuyau d'admission à l'arrière de l'appareil. L'alimentation de gaz y est raccordée. La pression d'approvisionnement au régulateur ne doit pas excéder 1/2 PSIG. Pour l'utilisation au gaz naturel, il est expédié réglé pour une pression d'admission de 5 po. de colonne d'eau.

VANNE D'ARRÊT MANUELLE

Il faut installer une vanne d'arrêt manuelle en amont du collecteur et à six pieds près du hotplate.

RACCORD DE LA CANALISATION DE GAZ

L'admission de gaz du hotplate est scellée en usine afin d'empêcher l'entrée des impuretés. N'enlever cette protection que juste avant d'effectuer le raccord à la canalisation de gaz.

GAZ PROPANE - CONVERSION

Ce hotplate est équipé d'orifices fixes et il est expédié de l'usine prêt pour l'utilisation au gaz naturel. Pour convertir en gaz de propane, installez les capots d'orifice de brûleur, situés sur la tubulure, comme suit:

1. Retirez les grilles et les brûleurs.
2. Enlever les orifices de brûleurs et installer les orifices fournis.
3. Substituez les brûleurs et les grilles. Soyez sûr qu'ouverture de venturi est placé sur l'orifice de valve.
4. Régler la pression d'admission sur (10) pouces de colonne d'eau. On peut enlever un bouchon de tuyau de 1/8 po. du collecteur du brûleur pour y attacher un manomètre. Enlever le bouchon entaillé ou fileté hexagonal du régulateur de pression. Inverser le bouchon et le réinstaller. Les lettres "LP" doivent être maintenant visibles sur le bouchon. Le régulateur est maintenant réglé pour 25,4 cm (10 po.) de colonne d'eau. Attachez l'étiquette de conversion, fournie avec l'unité, près de la plaque signalétique du côté supérieur du panneau avant. La flamme pilote peut devoir être ajustée au gaz de LP.

LA VÉRIFICATION LE GAZ FUIT

Vérifier l'étanchéité de toute la tuyauterie. Pour vérifier l'étanchéité, il faut utiliser une solution de savon et d'eau ou une autre matière acceptable pour ce but.



ATTENTION

Ne pas utiliser d'allumettes, la flamme d'une chandelle ou d'autres sources d'allumage.

INSTRUCTIONS CONCERNANT LES VEILLEUSES D'ALLUMAGE

Le hotplate est équipé des pilotes debout pré-réglés par usine et devrait être allumé juste après que le gaz est allumé.

Les lampes témoin peuvent avoir besoin d'un réglage basé sur les approvisionnements de gaz locaux. Voir ci-dessous pour des réglages de lampe témoin.

Si les odeurs d'opérateur intoxiquent ou les lampes témoin doivent être relit:

1. Éteignez la principale valve à unité.
2. Éteignez tous les boutons et valves du pilote et attendez 5 minutes éclaircir du gaz.
3. Les lampes témoin sur ce hotplate peuvent être ajustées en tournant la vis réglable dans le sens contraire des aiguilles d'une montre pour s'ouvrir et dans le sens des aiguilles d'une montre sur la fin.
4. Ouvrir le bouton principal et allumer les veilleuses.
5. Ajustez les flammes de lampe témoin aussi petites comme possible autour de la tête pilote, habituellement environ 1/4" haut, mais assez haut pour allumer le brûleur immédiatement quand la valve de brûleur est tournée sur la haute.
6. Tourner les boutons des brûleurs sur le réglage désiré.
7. Pour arrêter des brûleurs, tournez les molettes dans le sens des aiguilles d'une montre à "OFF."

IGNITION DU BRÛLEUR ET AJUSTEMENT

1. Pour mettre à feu les brûleurs tournent la molette de valve de brûleur dans le sens contraire des aiguilles d'une montre à la position de "ON."
2. Lentement ouvertures de la baisse de volets de l'air à donnez une flamme bleue douce qui a des pointes lumineuses, alors lentement ouvertures de l'augmentation à un point où les pointes jaunes disparaissent et une flamme bleue dure est obtenu.

ALLUMAGE

Lors du premier allumage du hotplate, il se formera un nuage de fumée jusqu'à ce que les huiles de protection et les impuretés brûlent.

INSTRUCTIONS DE FONCTIONNEMENT

CASSEROLE INFÉRIEURE DE MIETTE

La casserole de miette est située au fond de l'unité, et est facilement enlevée de l'avant de l'unité pour le nettoyage. Soyez sûr que c'est en place lors du fonctionnement.

L'OPÉRATION DU BRÛLEUR

Chaque brûleur est commandé par une valve marche-arrêt individuelle. Une variété des températures peut être obtenue en tournant le bouton de valve de brûleur à n'importe quelle position entre le ON et OFF. Il est possible par cet arrangement d'avoir une section élevée de la chaleur, tout en ayant une basse chaleur simmering ou tenir la section. Pour l'opération élevée de la chaleur, tournez le compteur de valve dans le sens des aiguilles d'une montre pour la section à une position de ON ou près d'elle. Pour se tenir ou simmering, tournez les valves plus près de la position de OFF sur le cadran. Si même moins de chaleur est exigée, la valve peut être arrêtée et le produit maintenu chaud sur la flamme pilote. Vous choisissez le modèle de la chaleur que vous aimez et placez les valves en conséquence. **Soyez sûr que les brûleurs restent se sont entièrement allumés quand ensemble en basses positions.**

LES INSTRUCTIONS DE FERMETURE COMPLETES

Pour éteindre les brûleurs, tourner les boutons des brûleurs sur la position de fermeture.

NETTOYAGE

Nettoyez régulièrement. Soyez sûr que l'appareil a refroidi. Enlevez la section de grille et la tête de brûleur pour descendre pour le lavage. La brosse dehors carboned des particules. Le venturi doit être exempt de la graisse, de la saleté, de la fibre, ou de n'importe quel matériel étranger. Enlevez et lavez la casserole de miette. **Soyez sûr de remplacer les grilles supérieures étendant l'appartement et centrées au-dessus du brûleur.** Essuyez les surfaces extérieures avec un détersif doux et un tissu. Un décapant non-abrasif peut être employé sur des secteurs durcis. Faites attention avec la pulvérisation sur quelques décapants car ils peuvent contenir les abrasifs et les caustiques qui pourraient rayer ou endommager la finition.

Visit our Website at: www.star-mfg.com

Email: service@star-mfg.com

THOROUGHLY INSPECT YOUR UNIT ON ARRIVAL

This unit has been tested for proper operation before leaving our plant to insure delivery of your unit in perfect condition. However, there are instances in which the unit may be damaged in transit. In the event you discover any type of damage to your product upon receipt, you must immediately contact the transportation company who delivered the item to you and initiate your claim with same. If this procedure is not followed, it may affect the warranty status of the unit.

LIMITED EQUIPMENT WARRANTY

All workmanship and material in Star products have a one (1) year limited warranty on parts & labor in the United States and Canada. Such warranty is limited to the original purchaser only and shall be effective from the date the equipment is placed in service. Star's obligation under this warranty is limited to the repair of defects without charge, by the factory authorized service agency or one of its sub-agencies. Models that are considered portable (*see below*) should be taken to the closest Star service agency, transportation prepaid.

- > Star will not assume any responsibility for loss of revenue.
- > On all shipments outside the United States and Canada, see International Warranty.
- * The warranty period for the JetStar six (6) ounce & Super JetStar eight (8) ounce series popcorn machines is two (2) years.
- * The warranty period for the Chrome-Max Griddles is five (5) years on the griddle surface. See detailed warranty provided with unit.
- * The warranty period for Teflon/Dura-Tec coatings is one year under normal use and reasonable care. This warranty does not apply if damage occurs to Teflon/Dura-Tec coatings from improper cleaning, maintenance, use of metallic utensils, or abrasive cleaners, abrasive pads, product identifiers and point-of-sale attachments, or any other non-food object that comes in continuous contact with the roller coating. This warranty does not apply to the "non-stick" properties of such materials.
- > This warranty does not apply to "Special Products" but to regular catalog items only. Star's warranty on "Special Products" is six (6) months on parts and ninety (90) days on labor.
- > This warranty does not apply to any item that is disassembled or tampered with for any purpose other than repair by a Star Authorized Service Center or the Service Center's sub-agency.
- > This warranty does not apply if damage occurs from improper installation, misuse, wrong voltage, wrong gas or operated contrary to the Installation and Operating instructions.
- > This warranty is not valid on Conveyor Ovens *unless* a "start-up/check-out" has been performed by a Factory Authorized Technician.

PARTS WARRANTY

Parts that are sold to repair out of warranty equipment are warranted for ninety (90) days. The part only is warranted. Labor to replace the part is chargeable to the customer.

SERVICES NOT COVERED BY WARRANTY

1. Travel time and mileage rendered beyond the 50 mile radius limit
2. Mileage and travel time on portable equipment (*see below*)
3. Labor to replace such items that can be replaced easily during a daily cleaning routine, ie; removable kettles on fryers, knobs, grease drawers on griddles, etc.
4. Installation of equipment
5. Damages due to improper installation
6. Damages from abuse or misuse
7. Operated contrary to the Operating and Installation Instructions
8. Cleaning of equipment
9. Seasoning of griddle plates
10. Voltage conversions
11. Gas conversions
12. Pilot light adjustment
13. Miscellaneous adjustments
14. Thermostat calibration and by-pass adjustment
15. Resetting of circuit breakers or safety controls or reset buttons
16. Replacement of bulbs
17. Replacement of fuses
18. Repair of damage created during transit, delivery, & installation OR created by acts of God

PORTABLE EQUIPMENT

Star will not honor service bills that include travel time and mileage charges for servicing any products considered "Portable" including items listed below. These products should be taken to the Service Agency for repair:

- * The Model 510FD Fryer.
- * The Model 526TOA Toaster Oven.
- * The Model J4R, 4 oz. Popcorn Machine.
- * The Model 518CMA & 526CMA Cheese Melter.
- * The Model 12MC & 15MC & 18MCP Hot Food Merchandisers.
- * The Model 12NCPW & 15NCPW Nacho Chip/Popcorn Warmer.
- * All Hot Dog Equipment **except Roller Grills & Drawer Bun Warmers.**
- * All Nacho Cheese Warmers **except Model 11WLA Series Nacho Cheese Warmer.**
- * All Condiment Dispensers **except the Model HPD & SPD Series Dispenser.**
- * All Specialty Food Warmers **except Model 130R, 11RW Series, and 11WSA Series.**
- * All QCS/RCS Series Toasters **except Model QCS3 & RCS3 Series.**

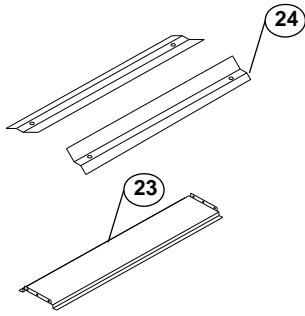
ALL:

- * Pop-Up Toasters
- * Butter Dispensers
- * Pretzel Merchandisers
(Model 16PD-A Only)
- * Pastry Display Cabinets
- * Nacho Chip Merchandisers
- * Accessories of any kind
- * Sneeze Guards
- * Pizza Ovens
(Model PO12 Only)
- * Heat Lamps
- * Pumps-Manual

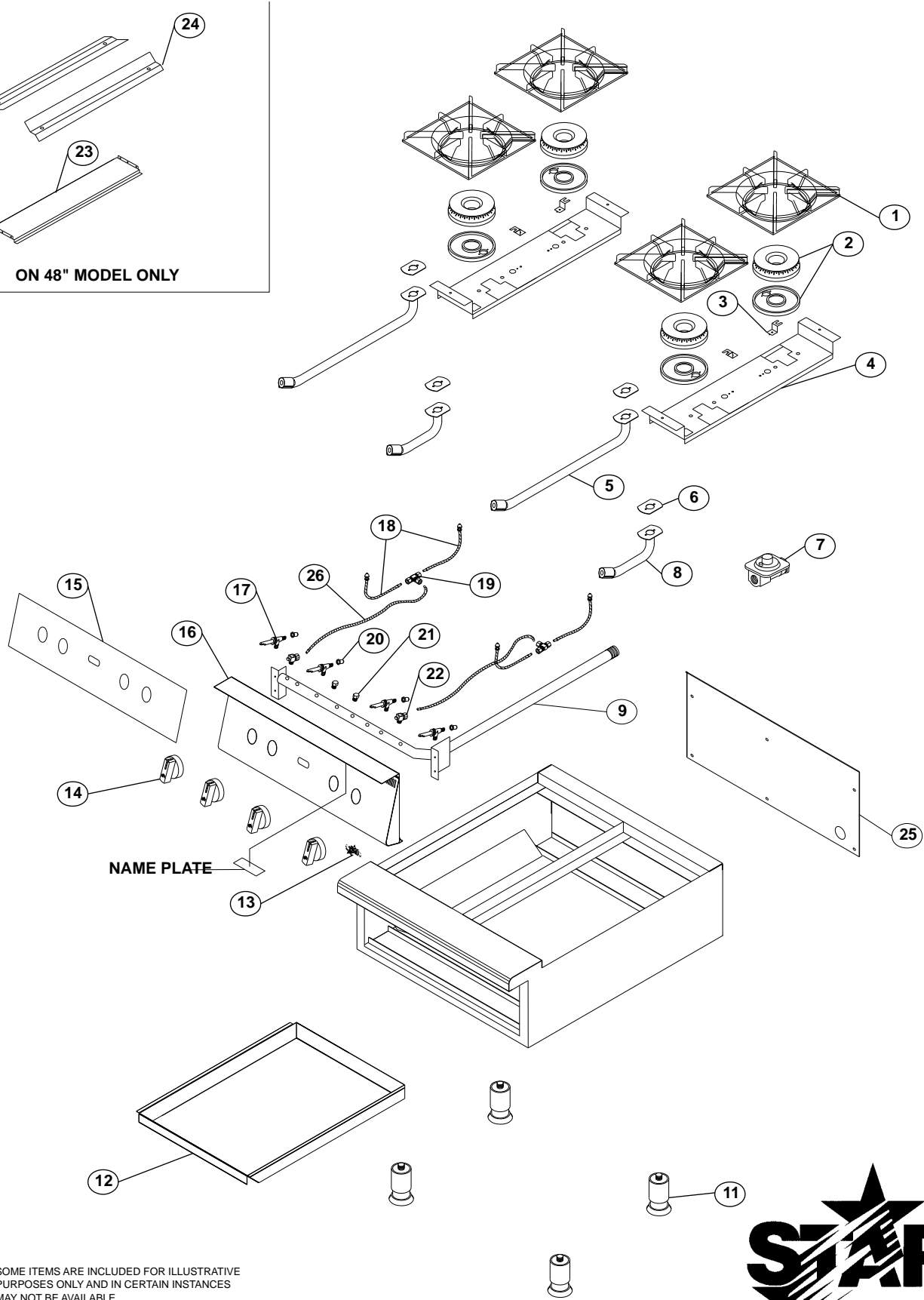
The foregoing warranty is in lieu of any and all other warranties expressed or implied and constitutes the entire warranty.

FOR ASSISTANCE

Should you need any assistance regarding the Operation or Maintenance of any Star equipment; write, phone, fax or email our Service Department. In all correspondence mention the Model number and the Serial number of your unit, and the voltage or type of gas you are using.



ON 48" MODEL ONLY



SOME ITEMS ARE INCLUDED FOR ILLUSTRATIVE PURPOSES ONLY AND IN CERTAIN INSTANCES MAY NOT BE AVAILABLE.

THIS DRAWING CONTAINS INFORMATION CONFIDENTIAL TO STAR MANUFACTURING INTERNATIONAL, INC. NO REPRODUCTION OR DISCLOSURE OF ITS CONTENTS IS PERMITTED.

MODEL HOT PLATE



STAR MANUFACTURING INTERNATIONAL, INC.
 SK 1902 REV.- 4-10-02

PARTS LIST

December 19, 2008, Rev. B

802H, 804H, 806H and 808H
 MODEL Ultra-Max Gas Hotplates

Key Number	Part Number		Number Per Unit	Description
1	2F-Z0637	(All)	2/4/6/8	Grate
2	2F-Z5473	(All)	2/4/6/8	Burner Set
3	I5-Z5463	(All)	2/4/6/8	Pilot Bracket
4	I5-Z5464	(All)	1/2/3/4	Burner Bracket
5	2F-Z5475	(All)	1/2/3/4	Venturi - Long
6	2I-Z5476	(All)	2/4/6/8	Gasket
7	2J-Z4686	(All)	1	Regulator
8	2F-Z5474	(All)	1/2/3/4	Venturi - Short
9	2K-Z5459	(802)	1	Manifold Pipe
	2K-Z5460	(804)	1	Manifold Pipe
	2K-Z5461	(806)	1	Manifold Pipe
	2K-Z5462	(808)	1	Manifold Pipe
10	I5-HP0000	(802)	1	Welded Assembly
	I5-HP0001	(804)	1	Welded Assembly
	I5-HP0002	(806)	1	Welded Assembly
	I5-HP0003	(808)	1	Welded Assembly
11	2A-Z4614	(All)	4	Foot
12	I5-Z5469	(802)	1	Bottom Pan
	I5-Z5470	(804)	1	Bottom Pan
	I5-Z5471	(806)	1	Bottom Pan
	I5-Z5470	(808)	2	Bottom Pan
13	2M-Z7573	(All)	1	Star Emblem
14	2R-Z4997	(All)	2/4/6/8	Knob
15	2M-Z5478	(802)	1	Front Control Label
	2M-Z5479	(804)	1	Front Control Label
	2M-Z5480	(806)	1	Front Control Label
	2M-Z5481	(808)	1	Front Control Label
16	I5-HP0008	(802)	1	Front Panel Assembly
	I5-HP0009	(804)	1	Front Panel Assembly
	I5-HP0010	(806)	1	Front Panel Assembly
	I5-HP0011	(808)	1	Front Panel Assembly
17	2V-Y8832	(All)	2/4/6/8	Gas Valve
18	I5-HP0014	(All)	2/4/6/8	Pilot Assembly
19	2K-Z5458	(All)	1/2/3/4	Fitting - 1/4" Tee
20	2A-80400-11	(All)	2/4/6/8	ORIFICE HD .0935 #42 DRIL Natural
	2J-Y7136	(All)	2/4/6/8	Orifice #53 LP
21	2P-1453	(All)	1	Pipe Plug - 1/8" NPT
22	2V-6671	(All)	1/2/3/4	Pilot Valve
23	I5-Z5472	(808)	1	Pan Support Bracket
24	I5-Z5532	(808)	2	Deflector
25	I5-Z5465	(802)	1	Rear Panel
	I5-Z5466	(804)	1	Rear Panel
	I5-Z5467	(806)	1	Rear Panel
	I5-Z5468	(808)	1	Rear Panel
26	2K-Z4920	(All)	1/2/3/4	Corrugated Pilot Tube
NI	ES-UM36SFC	(SFC MODELS)	1	Equipment Stand Cut For Casters

**IMPORTANT: WHEN ORDERING, SPECIFY VOLTAGE OR TYPE GAS DESIRED
 INCLUDE MODEL AND SERIAL NUMBER**

PAGE 1
 OF 1

Some items are included for illustrative purposes only and in certain instances may not be available.



Star Manufacturing International, Inc.