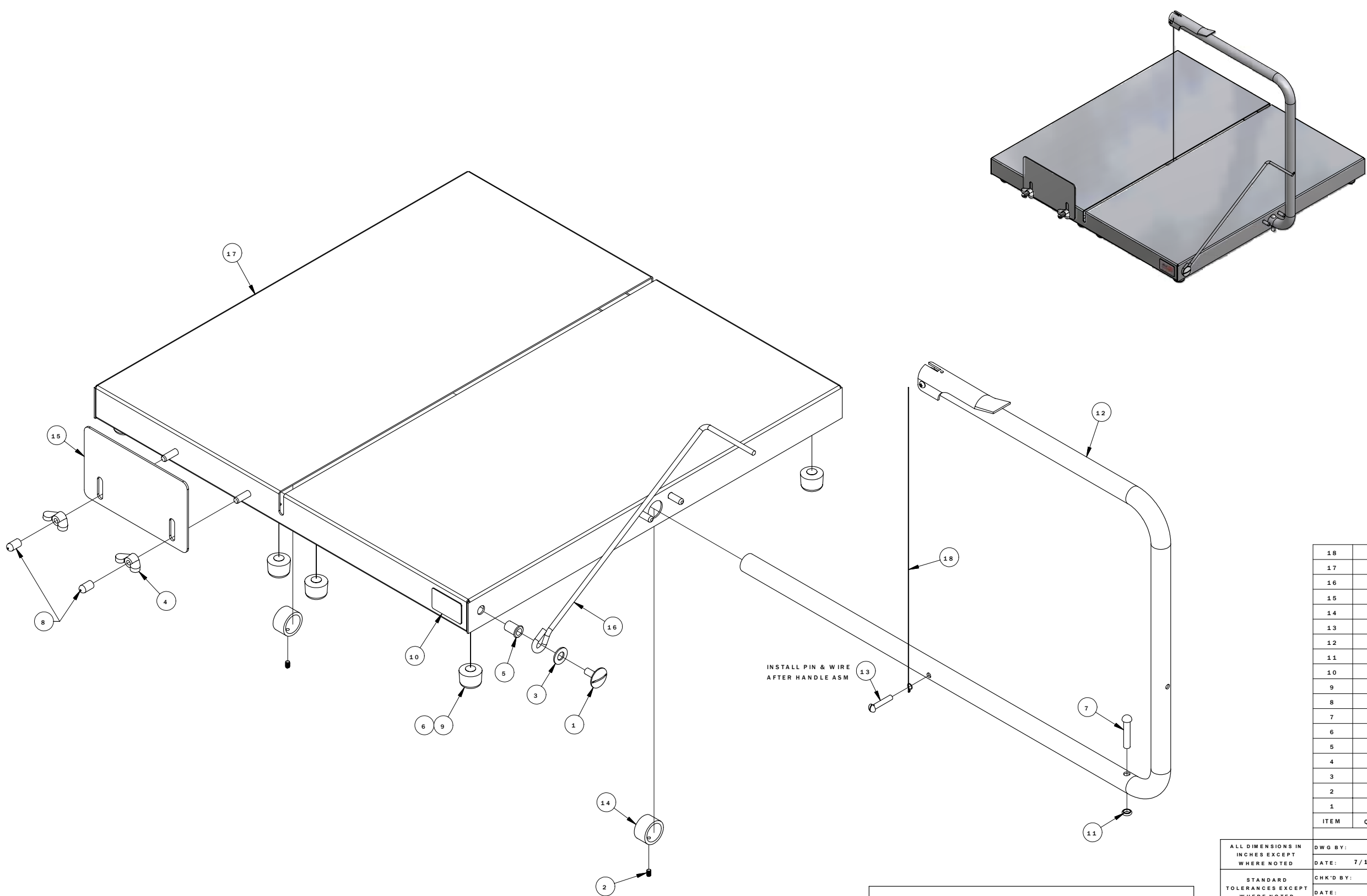


REVISION HISTORY				
REV	ECN #	DATE	BY	DESCRIPTION
0	2585	7/15/2010	TMM	INITIAL RELEASE



INSTALL PIN & WIRE AFTER HANDLE ASM

ITEM	QTY	PART NO.	DESCRIPTION
18	1	6501-072	WIRE, CHEESE CUTTER
17	1	6501-050	BASE, CHEESE CUTTER, WELD ASSEMBLY
16	1	6501-048	ROD, LOCKING ARM
15	1	6501-045	PLATE, FRONT, CHEESE CUTTER
14	2	6501-041	COLLAR, LOCATING BOW
13	1	6501-019	PIN, GUIDE - WIRE
12	1	6501-015	HANDLE ASSEMBLY
11	1	2185-001	O-Ring, 1/4 ID
10	1	2150-051	LABEL, HEAT SEAL LOGO 1-9/16 X 15/16
9	8	2135-001	FOOT, RUBBER, LARGE
8	2	1970-001	Cap, Rubber Luster, 1/4
7	1	1913-015	RIVET, SS, RD HD, SOLID
6	8	1913-006	RIVET, POP, ALUM/ALUM, #66
5	1	1911-024	Rivet Nut, 1/4-20, .390 O.D.
4	2	1911-022	Wing Nut, 1/4-20
3	1	1909-006	WASHER, FLAT, 5/16
2	2	1905-008	SCR, SET, SLOT, CUP PT, SS, 8-32 X 1/4
1	1	1903-057	SCR, MACH, TRUSS HD, SLOT, SS, 1/4-20 x 5/8

PARTS LIST
HEAT SEAL/AMPAK
CLEVELAND, OHIO 44125

CHEESE CUTTER, 20 X 20

ALL DIMENSIONS IN INCHES EXCEPT WHERE NOTED	DWG BY: TMM	HEAT SEAL/AMPAK CLEVELAND, OHIO 44125	
STANDARD TOLERANCES EXCEPT WHERE NOTED (ALL PLUS/MINUS)	DATE: 7/14/2010		
2 PLC. DECIMAL: .010	CHK'D BY:	CHEESE CUTTER, 20 X 20	
3 PLC. DECIMAL: .005	DATE:		
FRACTION: 1/32	USED ON: CC20	6501-002	
ANGLE: 1'	SHEET SIZE: D		
	DO NOT SCALE PRINT	SHEET: 1 OF 1	REVISION: 0
	PART FILE NAME: H:\CAD\HEATSEAL\PRODUCTS\General Supermarket\Cheese Cutters\6501-002.lam	DRAWING NO.	

CONFIDENTIAL
THIS PRINT IS PROPERTY OF, AND DISCLOSES PROPRIETARY INFORMATION OF HEAT SEAL. IT IS LOANED FOR REFERENCE ONLY, AND MAY NOT BE REPRODUCED OR FORWARDED ELECTRONICALLY IN ANY MANNER, OR ITS CONTENTS DISCLOSED TO OTHERS, WITHOUT THE EXPLICIT WRITTEN PERMISSION OF OWNER AND MUST BE DESTROYED UPON REQUEST.