

BOLDER










CHEF BASES



— DFS# 5003041 —

Features & Benefits

-  Digital temperature controls with LED display for precise adjustment and automatic defrosting system.
-  Foamed-in-place insulation keeps the interior cold and adds structural strength.
-  Stainless steel interior with rounded corner for easy cleaning. Meet and exceed sanitation standards.
-  Drawers hold 4" deep food pans (not included) with heavy-duty, high-capacity slide rails.
-  Heavy-duty 4" casters with brakes are included providing the unit with convenient mobility, making cleaning and servicing a breeze! Just roll the unit away from the wall.
-  Ergonomic and modern recess door handles, -durable and high weight bearing rails.
-  Removable Drawer Gaskets, each drawer gasket is removable for easy cleaning and maintenance.

Technical Specifications

Voltage/Frequency	115V / 60Hz	Total Input Power	200W
Refrigerant	R290	Total Current	1.7A
Type of defrosting	Automatic	Climatic Category	4-5
Exterior Finish	Stainless Steel	Protection Type	I
Interior Finish	Stainless Steel	Design Pressure High Side	300 PSIG
		Design Pressure Low Side	150 PSIG
		Insulation Blowing Gas	C-Pentane



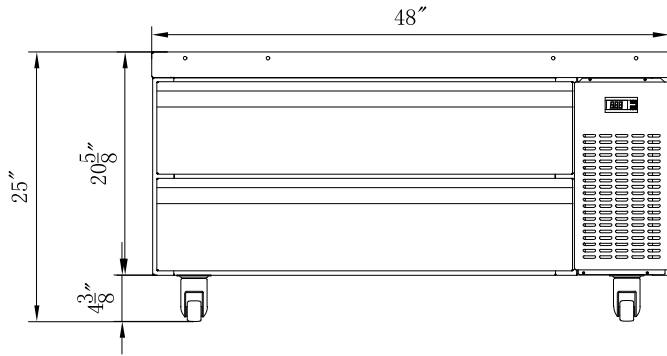
Tel: (888) 553-9255
Mail: service@bolder-refrigeration.com



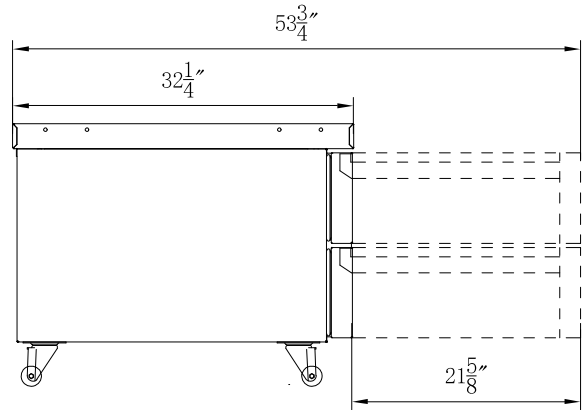
www.bolder-refrigeration.com

CHEF BASES

Front View

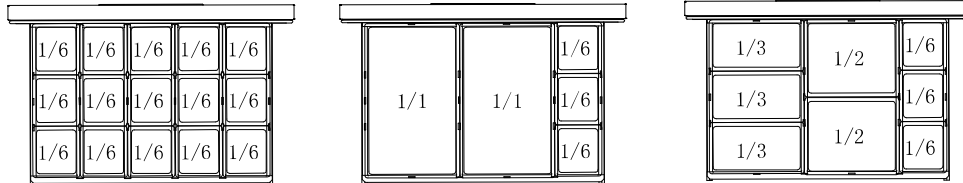


Side View



— DFS# 5003041 —

Pan Layout per model



Technical Specifications

Voltage/Frequency	115V / 60Hz	Total Input Power	200W
Refrigerant	R290	Total Current	1.7A
Type of defrosting	Automatic	Climatic Category	4-5
Exterior Finish	Stainless Steel	Protection Type	I
Interior Finish	Stainless Steel	Design Pressure High Side	300 PSIG
		Design Pressure Low Side	150 PSIG
		Insulation Blowing Gas	C-Pentane

CHEF BASES														
Model	External Dimensions (inches)			Packing Carton (inches)			Temperature Range (°F)	Compressor Power (HP)	Net Weight (lbs)	Gross Weight (lbs)	Drawers	1/6 Pan Count	NEMA Config.	40HQ Container Certification
	W	D	H	W	D	H								
DFS# 5003041	48	32 1/4	25	49 5/8	34 1/4	26 5/8	33 ~ 38°F	1/5	180	230	2	2 x 15	5-15P	66



Tel: (888) 553-9255

Mail: service@bolder-refrigeration.com

BOLDER

www.bolder-refrigeration.com