

BOLDER



SALAD PREP TABLE REFRIGERATORS

REGULAR TOP



— DFS# 5003030 —

Features & Benefits

-  The compressor is mounted in the back and placed in the coolest possible area; this makes it easily accessible for servicing.
-  Digital temperature controls with LED display for precise adjustment and automatic defrosting system.
-  Temperatures in the cabinet range from 33 to 41°F degrees Fahrenheit
-  Higher Resistance to dust, high quality condenser.
-  R290 Natural Refrigerant promotes faster cool down and efficient energy consumption.
-  Self-closing doors at 60° with stay open feature.
-  Stainless steel interior & exterior, sealed interior floors, and rounded cabinet corners for easy cleaning.
-  6" deep 1/6 plastic pan included.
-  High quality coated stainless adjustable shelves prevent peel and rust.
-  Lifetime warranty on hinges.
-  5" casters with lock for easy mobility.

Technical Specifications

Voltage/Frequency	115V / 60Hz	Cutting Board Size	48 x 14.5
Refrigerant	R290	Total Input Power	280W
Type of defrosting	Automatic	Total Current	2.4A
Exterior Finish	Stainless Steel	Climatic Category	4-5
Interior Finish	Stainless Steel	Protection Type	I
		Design Pressure High Side	300 PSIG
		Design Pressure Low Side	150 PSIG
		Insulation Blowing Gas	C-Pentane



Tel: (888) 553-9255

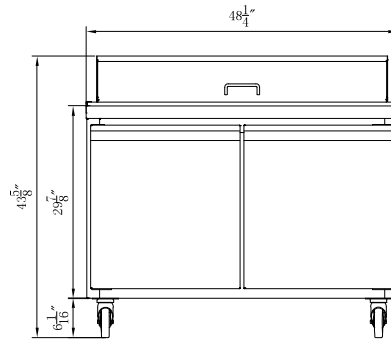
Mail: service@bolder-refrigeration.com

BOLDER

www.bolder-refrigeration.com

SALAD PREP TABLE REFRIGERATORS — REGULAR TOP

Front View

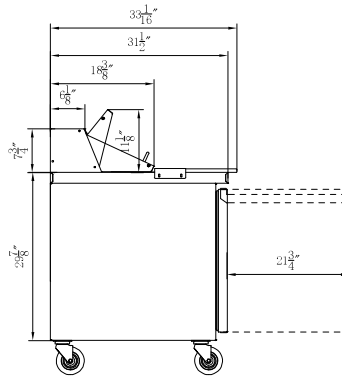


12 x1/6 PAN
REGULAR TOP



— DFS# 5003030 —

Side View



— DFS# 5003030 —

Technical Specifications

Voltage/Frequency	115V / 60Hz	Cutting Board Size	48 x 14.5
Refrigerant	R290	Total Input Power	280W
Type of defrosting	Automatic	Total Current	2.4A
Exterior Finish	Stainless Steel	Climatic Category	4-5
Interior Finish	Stainless Steel	Protection Type	I
		Design Pressure High Side	300 PSIG
		Design Pressure Low Side	150 PSIG
		Insulation Blowing Gas	C-Pentane

SALAD PREP TABLE REFRIGERATORS — REGULAR TOP

Model	External Dimensions (inches)			Packing Carton (inches)			Temperature Range (°F)	Compressor Power (HP)	Net Weight (lbs)	Gross Weight (lbs)	# of Shelves	NEMA Config.	Capacity (cu ft)	40HQ Container Certification
	W	D	H	W	D	H								
DFS# 5003030	48 1/4	31 1/2	43 5/8	52 1/2	35 7/8	48 3/8	33 ~ 41°F	1/5	231	356	2	5-15P	11.4	42



Tel: (888) 553-9255

Mail: service@bolder-refrigeration.com

BOLDER

www.bolder-refrigeration.com