

BOLDER



UNDERCOUNTER SOLID DOOR REFRIGERATORS

33~ 41°F



— DFS# 5003025 —

Features & Benefits

-  The compressor is mounted in the back and placed in the coolest possible area; this makes it easily accessible for servicing.
-  Digital temperature controls with LED display for precise adjustment and automatic defrosting system.
-  Temperatures in the cabinet range from 33 to 41°F degrees Fahrenheit
-  Higher Resistance to dust, high quality condenser.
-  R290 Natural Refrigerant promotes faster cool down and efficient energy consumption.
-  Self-closing doors at 60° with stay open feature.
-  Stainless steel interior & exterior, sealed interior floors, and rounded cabinet corners for easy cleaning.
-  High quality coated stainless adjustable shelves prevent peel and rust.
-  Lifetime warranty on hinges.
-  5" casters with lock for easy mobility.

Technical Specifications

| | | | |
|--------------------|-----------------|---------------------------|-----------|
| Voltage/Frequency | 115V / 60Hz | Total Input Power | 225W |
| Refrigerant | R290 | Total Current | 2.0A |
| Type of defrosting | Automatic | Climatic Category | 4-5 |
| Exterior Finish | Stainless Steel | Protection Type | I |
| Interior Finish | Stainless Steel | Design Pressure High Side | 300 PSIG |
| | | Design Pressure Low Side | 150 PSIG |
| | | Insulation Blowing Gas | C-Pentane |



Tel: (888) 553-9255

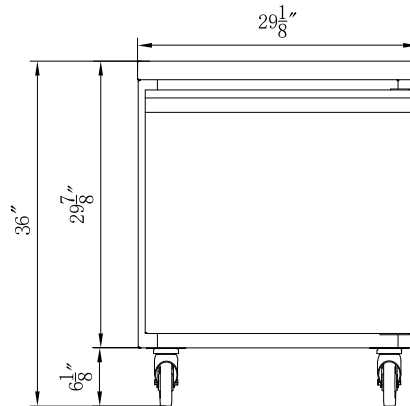
Mail: service@bolder-refrigeration.com

BOLDER

www.bolder-refrigeration.com

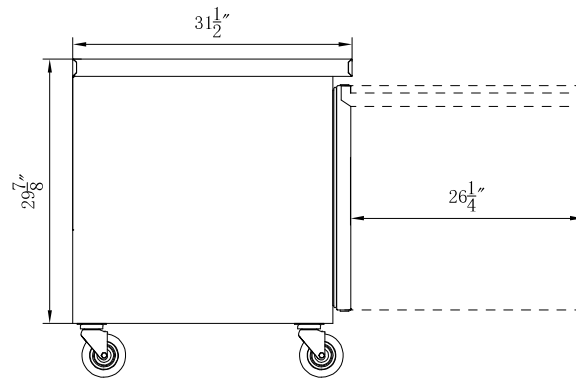
UNDERCOUNTER SOLID DOOR REFRIGERATORS

Front View



— DFS# 5003025 —

Side View



— DFS# 5003025 —

Technical Specifications

| | | | |
|--------------------|-----------------|---------------------------|-----------|
| Voltage/Frequency | 115V / 60Hz | Total Input Power | 225W |
| Refrigerant | R290 | Total Current | 2.0A |
| Type of defrosting | Automatic | Climatic Category | 4-5 |
| Exterior Finish | Stainless Steel | Protection Type | I |
| Interior Finish | Stainless Steel | Design Pressure High Side | 300 PSIG |
| | | Design Pressure Low Side | 150 PSIG |
| | | Insulation Blowing Gas | C-Pentane |

UNDERCOUNTER SOLID DOOR REFRIGERATORS

| Model | External Dimensions (inches) | | | Packing Carton (inches) | | | Temperature Range (°F) | Compressor Power (HP) | Net Weight (lbs) | Gross Weight (lbs) | # of Shelves | NEMA Config. | Capacity (cu ft) | 40HQ Container Certification |
|--------------|------------------------------|--------|----|-------------------------|--------|--------|------------------------|-----------------------|------------------|--------------------|--------------|--------------|------------------|------------------------------|
| | W | D | H | W | D | H | | | | | | | | |
| DFS# 5003025 | 29 1/8 | 31 1/2 | 36 | 30 1/2 | 33 1/8 | 39 3/8 | 0 ~ -8 | 1/5 | 158 | 200 | 1 | 5-15P | 6,99 | 60 |



Tel: (888) 553-9255

Mail: service@bolder-refrigeration.com

BOLDER

www.bolder-refrigeration.com