

# BOLDER



## BOTTOM-MOUNTED

REACH-IN 3-SOLID DOOR REFRIGERATORS

33 ~ 41°F



— DFS# 5003021 —

## Features & Benefits

-  Equipped with Locking Doors
-  Reversible Doors
-  The compressor is mounted in the bottom for better heat evaporation.
-  Digital temperature controls with LED display for precise adjustment and automatic defrosting system.
-  Temperatures in the cabinet range from 33 to 41°F degrees Fahrenheit.
-  Self closing doors with stay open feature.
-  R290 Natural Refrigerant promotes faster cool down and efficient energy consumption.
-  Epoxy coated wire shelves.
-  Stainless steel interior & exterior, sealed interior floors, and rounded cabinet corners for easy cleaning.
-  High quality coated stainless adjustable shelves prevent peel and rust.
-  Lifetime warranty on hinges.
-  Adjustable front locking casters.

## Technical Specifications

Voltage/Frequency	115V / 60Hz	Total Input Power	760W
Refrigerant	R290	Total Current	8.6A
Type of defrosting	Automatic	Climatic Category	4-5
Exterior Finish	Stainless Steel	Protection Type	I
Interior Finish	Stainless Steel	Design Pressure High Side	300 PSIG
		Design Pressure Low Side	150 PSIG
		Insulation Blowing Gas	C-Pentane



Tel: (888) 553-9255

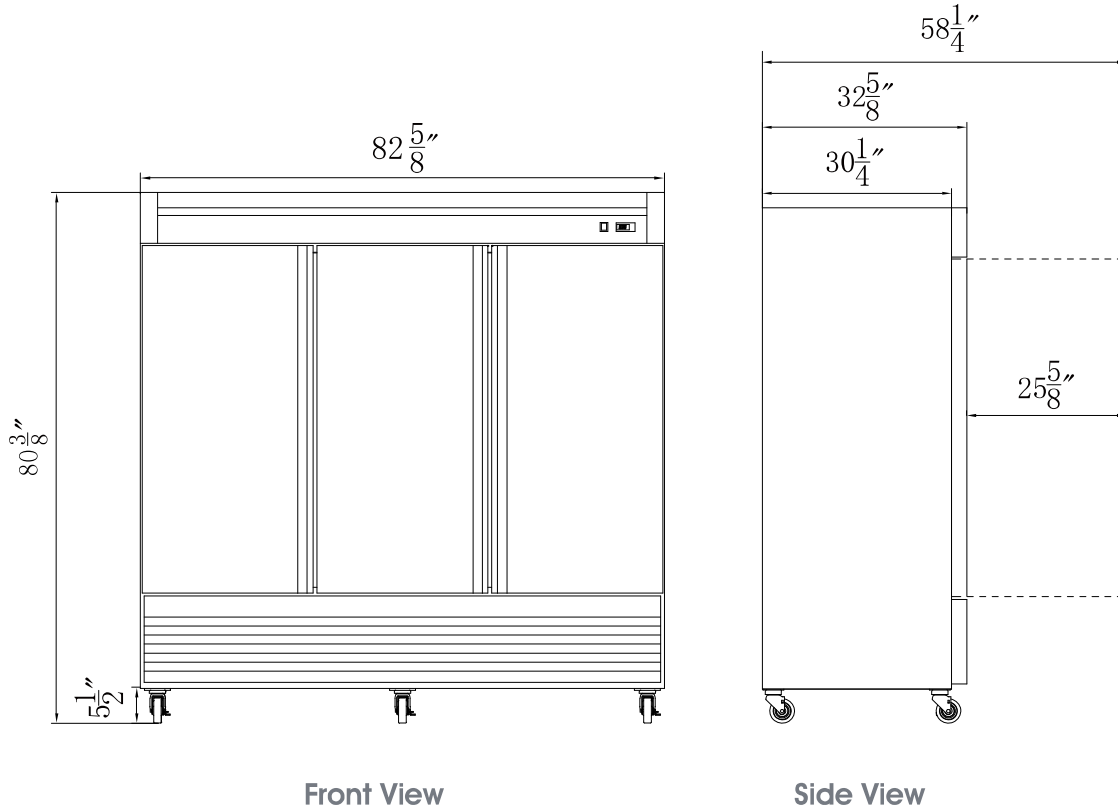
Mail: [service@bolder-refrigeration.com](mailto:service@bolder-refrigeration.com)

# BOLDER

[www.bolder-refrigeration.com](http://www.bolder-refrigeration.com)

# BOTTOM-MOUNTED REACH-IN 3-SOLID DOOR REFRIGERATORS

— DFS# 5003021 —



### Technical Specifications

<b>Voltage/Frequency</b>	115V / 60Hz	<b>Total Input Power</b>	760W
<b>Refrigerant</b>	R290	<b>Total Current</b>	8.6A
<b>Type of defrosting</b>	Automatic	<b>Climatic Category</b>	4-5
<b>Exterior Finish</b>	Stainless Steel	<b>Protection Type</b>	I
<b>Interior Finish</b>	Stainless Steel	<b>Design Pressure High Side</b>	300 PSIG
		<b>Design Pressure Low Side</b>	150 PSIG
		<b>Insulation Blowing Gas</b>	C-Pentane

### BOTTOM-MOUNTED REACH-IN 3-SOLID DOOR REFRIGERATORS

Model	External Dimensions (inches)			Packing Carton (inches)			Temperature Range (°F)	Compressor Power (HP)	Net Weight (lbs)	Gross Weight (lbs)	# of Shelves	NEMA Config.	Capacity (cu ft)	40HQ Container Certification
	W	D	H	W	D	H								
DFS# 5003021	82 5/8	32 5/8	80 3/8	84 1/4	34 1/4	87 3/8	33 ~ 41°F	1/2+	595	794	12	5—15P	65.16	13



Tel: (888) 553-9255

Mail: [service@bolder-refrigeration.com](mailto:service@bolder-refrigeration.com)

**BOLDER**

[www.bolder-refrigeration.com](http://www.bolder-refrigeration.com)