

# BOLDER



## BOTTOM-MOUNTED

REACH-IN 3-SOLID DOOR FREEZERS

0 ~ -8°F



— DFS# 5002948 —

### Features & Benefits

- Equipped with Locking Doors
- Reversible Doors
- The compressor is mounted in the bottom for better heat evaporation.
- Digital temperature controls with LED display for precise adjustment and automatic defrosting system.
- Temperatures in the cabinet range from 0 to -8°F degrees Fahrenheit.
- Self closing doors with stay open feature.
- R290 Natural Refrigerant promotes faster cool down and efficient energy consumption.
- Epoxy coated wire shelves.
- Stainless steel interior & exterior, sealed interior floors, and rounded cabinet corners for easy cleaning.
- High quality coated stainless adjustable shelves prevent peel and rust.
- Lifetime warranty on hinges.
- Adjustable front locking casters.

### Technical Specifications

Voltage/Frequency	115V / 60Hz	Total Input Power	1300W
Refrigerant	R290	Total Current	16A
Type of defrosting	Automatic	Climatic Category	4-5
Exterior Finish	Stainless Steel	Protection Type	I
Interior Finish	Stainless Steel	Design Pressure High Side	300 PSIG
		Design Pressure Low Side	150 PSIG
		Insulation Blowing Gas	C-Pentane



Tel: (888) 553-9255

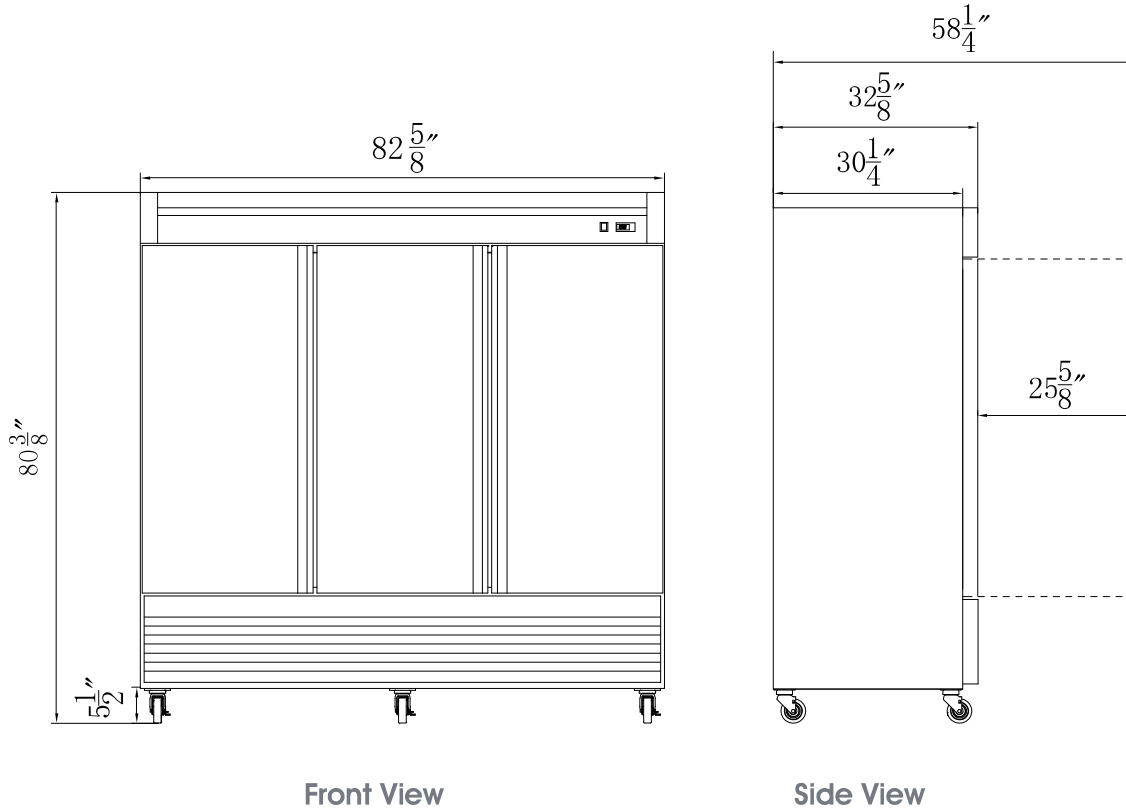
Mail: [service@bolder-refrigeration.com](mailto:service@bolder-refrigeration.com)

# BOLDER

[www.bolder-refrigeration.com](http://www.bolder-refrigeration.com)

# BOTTOM-MOUNTED REACH-IN 3-SOLID DOOR FREEZERS

— DFS# 5002948 —



### Technical Specifications

Voltage/Frequency	115V / 60Hz	Total Input Power	1300W
Refrigerant	R290	Total Current	16A
Type of defrosting	Automatic	Climatic Category	4-5
Exterior Finish	Stainless Steel	Protection Type	I
Interior Finish	Stainless Steel	Design Pressure High Side	300 PSIG
		Design Pressure Low Side	150 PSIG
		Insulation Blowing Gas	C-Pentane

### BOTTOM-MOUNTED REACH-IN 3-SOLID DOOR FREEZERS

Model	External Dimensions (inches)			Packing Carton (inches)			Temperature Range (°F)	Compressor Power (HP)	Net Weight (lbs)	Gross Weight (lbs)	# of Shelves	NEMA Config.	Capacity (cu ft)	40HQ Container Certification
	W	D	H	W	D	H								
DFS# 5002948	82 5/8	32 5/8	80 3/8	84 1/4	34 1/4	87 3/8	0 ~ -8	3/4+3/4	595	794	12	5-20P	65.16	13



Tel: (888) 553-9255

Mail: [service@bolder-refrigeration.com](mailto:service@bolder-refrigeration.com)

**BOLDER**

[www.bolder-refrigeration.com](http://www.bolder-refrigeration.com)