



Display Merchandiser Refrigerated Full View models 44000A

- model single service 44250A 44262A 44274A 44350A 44362A 44374A
- pass-thru 44250PA 44262PA 44274PA 44350PA 44362PA 44374PA
- see-thru 44250SA 44262SA 44274SA 44350SA 44362SA 44374SA

Description:

Self-contained refrigerated display unit with insulated self-closing doors in upper display structure. Display area with stainless steel interior, (2) angled display mirrors, (4) display shelves and side mounted illumination. R-134a forced air refrigeration system with expansion valve and thermostatic control. Refrigerated storage base with service ledge. Foamed in place, "CFC free" insulation and cordset for 115V operation. Unit has 6" high adjustable and movable legs. Available as a Pass-Thru unit.

Specifications:

CABINET EXTERIOR: Cabinet body is constructed of all metal. Service ledge to be one piece of die-formed 16 gauge stainless steel finish with 2 1/2" nosing. Ends at top fitted with recessed heavy gauge steel bars for field bolting units together, producing a hairline seam.

Upper display structure; to have stainless steel exterior and interior sides. Self-closing, thermalpane glass doors that are easily removable for cleaning, riding in nylon track. **Base;** Door opening frames to be ABS and contain magnetic strip for positive sealing of gaskets. Exterior body to be corrosion resistant steel. Louver panel to be die-stamped stainless steel. Unit totally prewired to junction box. Legs to be 6" high stainless steel with adjustable bullet foot. Legs mounted to full length channel frame assembly which is integrally welded to bottom of body assembly. Legs can be moved left to right to avoid floor obstacles during installation.

CABINET INTERIOR: Upper display structure; (4) powder coated wire shelves provided, with (2) angled display mirrors. Illumination to be provided by (2) fluorescent fixtures, (1) per side, removable without the need for tools. **Base;** interior to be ABS thermoplastic at ends only. Stainless steel interior liner to be covered cornered to form bottom and back. One powder coat finished shelf provided behind each door. Upper structure, and base with high density, CFC free, urethane expanding foam.

DOORS: Stainless steel fronts with easy to grasp stainless handles, mounted on heavy duty concealed hinges. Hinges are all stainless steel with bronze pivot pin in nylon bushing. Doors with foamed in place insulation, and magnetic gaskets.

REFRIGERATION: Base and upper structure supplied with separate refrigeration coils. R-134a refrigeration system to include condensing unit installed with high capacity evaporator blower coils, blower coils fitted with expansion valves for fast recovery and thermostatic control for field adjustability. Condensing unit sized and installed for proper cooling in housing at left end. Optional condensate evaporator to be installed in compressor

model 44250A shown



airflow. Unit totally prewired and to be supplied with 8' cordset for 115V plug-in operation.

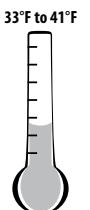
PASS THRU MODELS: Same as above except to have (2) sets of self-closing pass-thru insulating sliding glass doors, easily removable for cleaning. No angled display mirrors or mirrored back. (4) fluorescent fixtures-(2) per side provided.

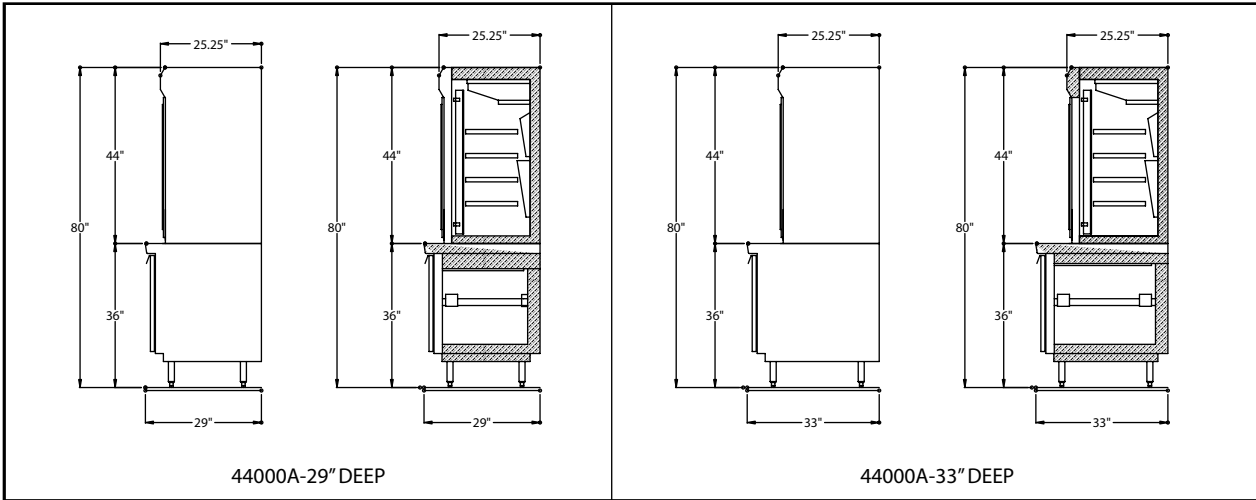
Standard Features:

- Self-contained refrigeration system that utilizes "CFC free" R-134a refrigerant and expansion valve
- Display area illuminated from sides for shadow free display
- Fluorescent illumination
- Adjustable shelving
- Insulated glass doors are self-closing and easily removed for cleaning
- Foamed in place "CFC free" urethane insulation
- Separate coil for upper structure for more effective cooling of display area
- 6" high legs—adjustable and movable

Options & Accessories:

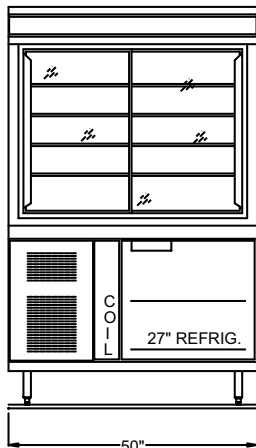
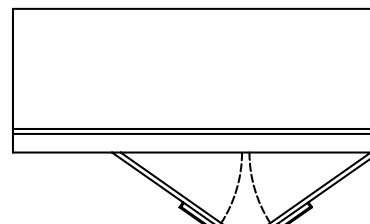
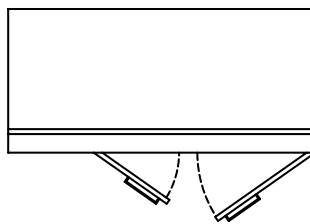
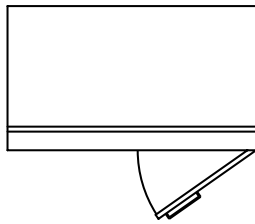
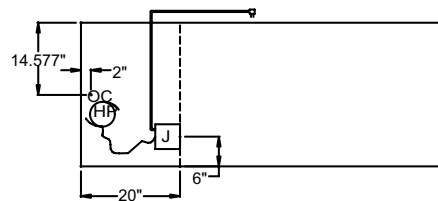
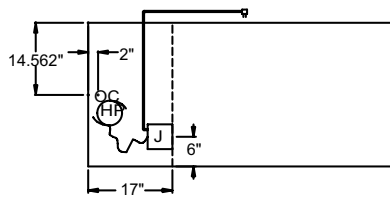
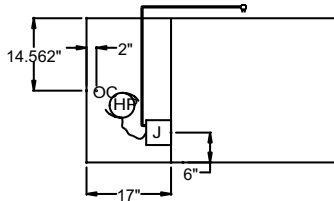
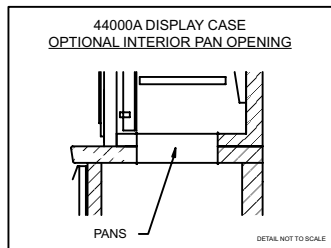
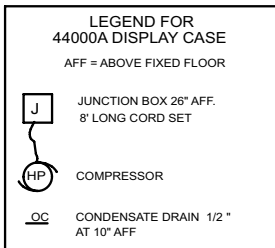
- Interior Pan Opening:
 - 44250A/PA holds (5) 1/3 size pans
 - 44262A/PA holds (6) 1/3 size pans
 - 44274A/PA holds (8) 1/3 size pans
 - 44350A/PA holds (5) 1/3 size pans
 - 44362A/PA holds (6) 1/3 size pans
 - 44374A/PA holds (8) 1/3 size pans



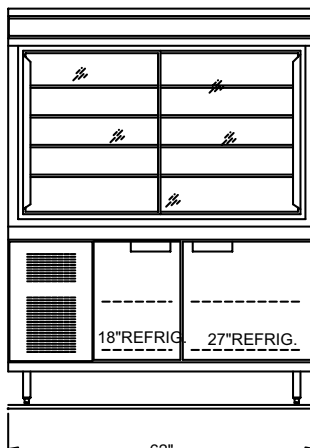


44000A-29\"/>

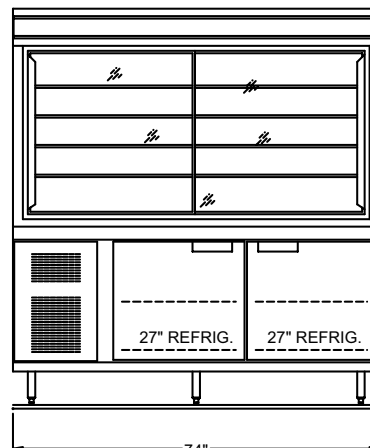
44000A-33\"/>



44250A

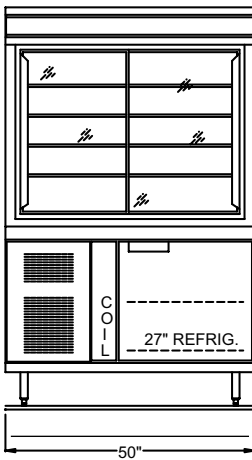
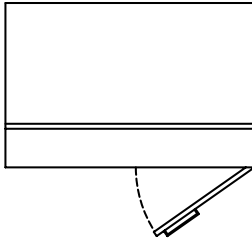
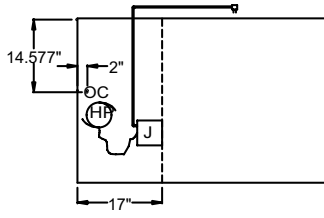


44262A

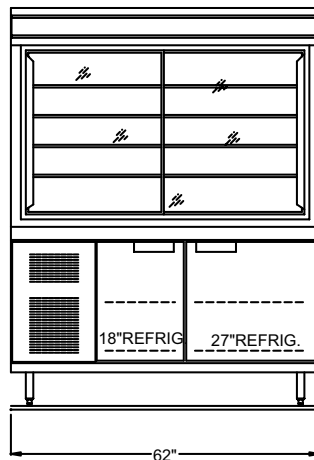
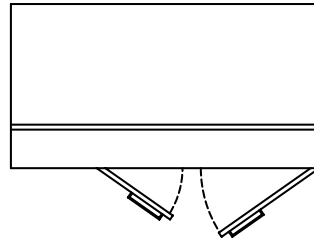
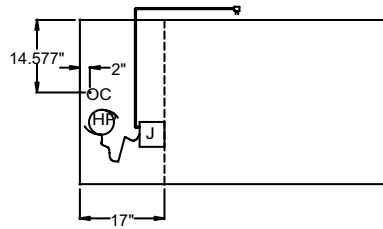


44274A

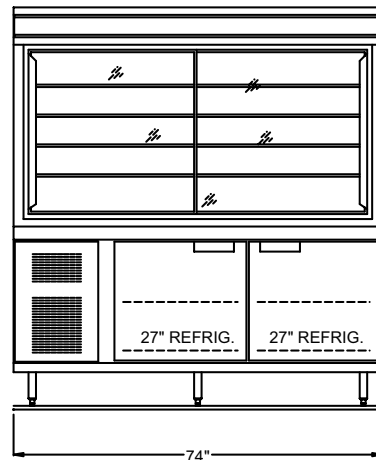
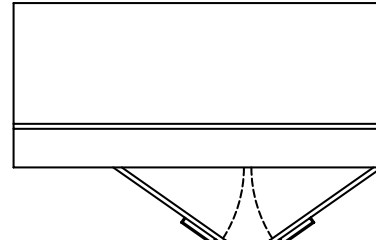
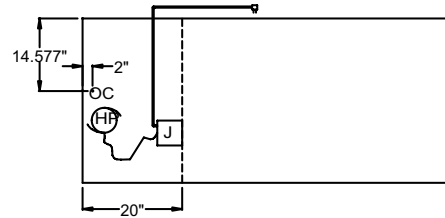




44350A

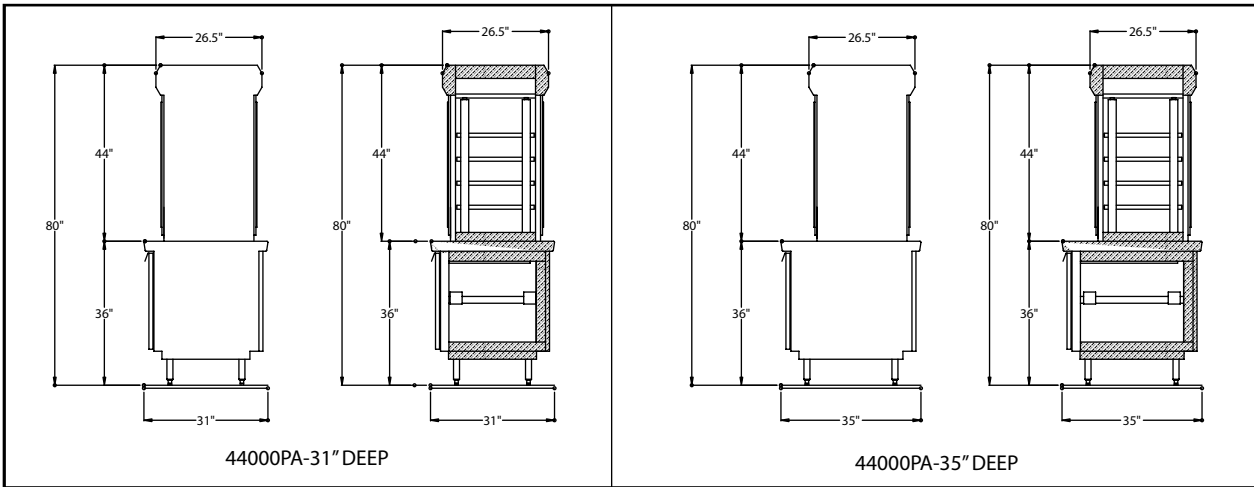


44362A



44374A



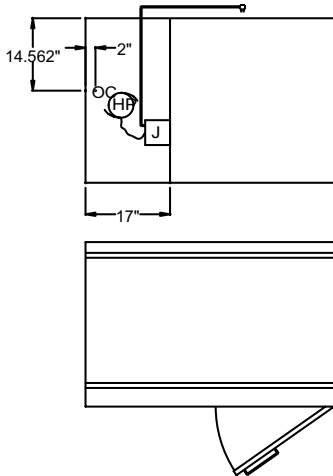
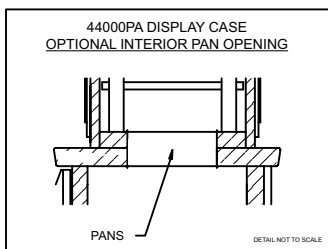


LEGEND FOR 44000PA DISPLAY CASE
 AFF = ABOVE FIXED FLOOR

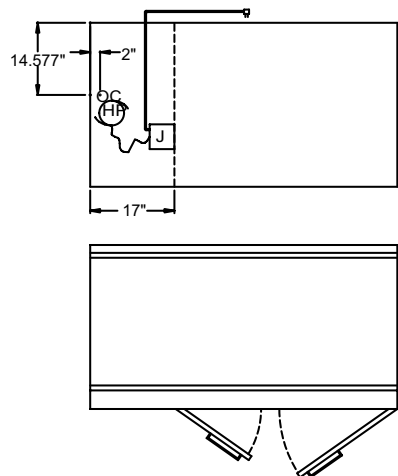
JUNCTION BOX 26" AFF. 8' LONG CORD SET

COMPRESSOR

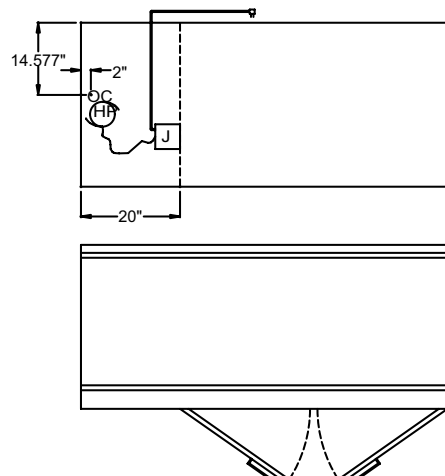
CONDENSATE DRAIN 1/2" AT 10" AFF



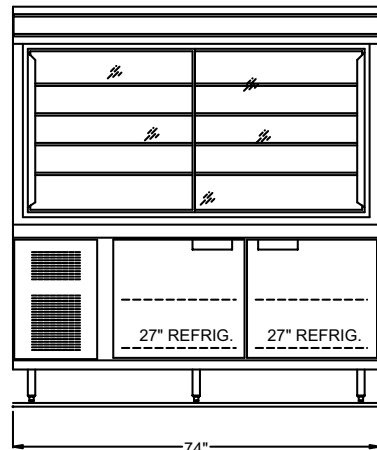
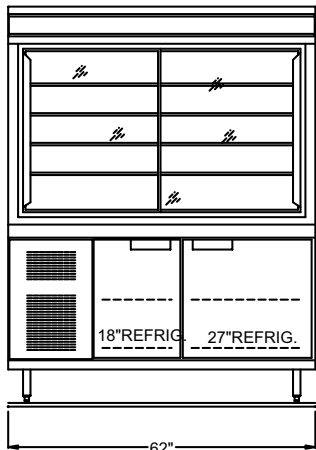
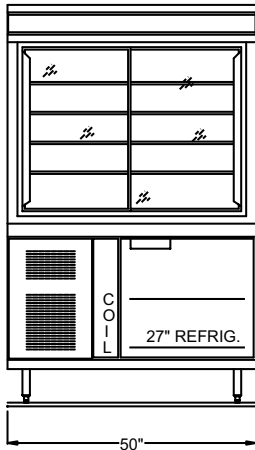
44250PA

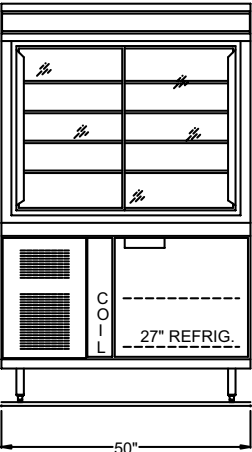
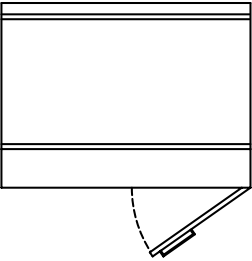
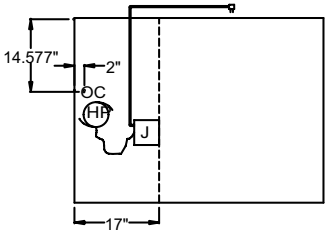


44262PA

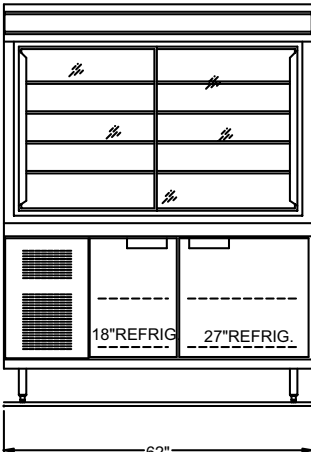
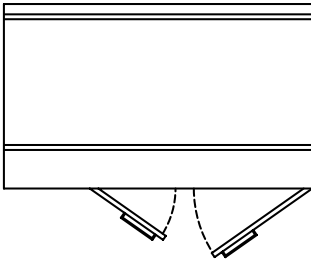
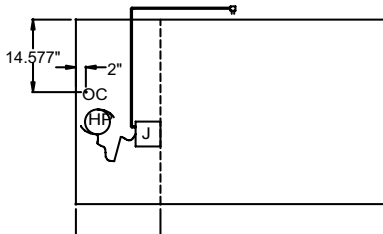


44274PA

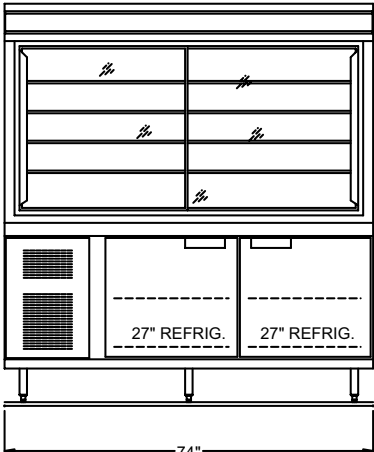
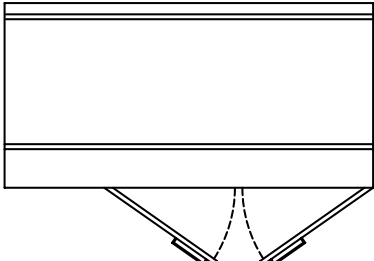
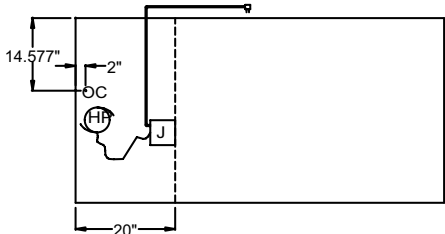




44350PA



44362PA



44374PA



c

Full View Display Case Door Opening Sizes-Interior Depth

Unit Length	Clearance Through Door		Interior Depth Behind Glass Doors
	Lt. to Rt.	Top to Bottom	
50"	18 3/4"	32"	19 1/4"
62"	24 3/4"	32"	19 1/4"
74"	30 3/4"	32"	19 1/4"

Model	L	H	No. Doors	No. of 4" Deep Pans in Base Top	Recommended HP/Refrigerant	Amps	Volt/Cycle/Phase	NEMA	BTU	Ship Wt (lbs)
44000A Single Service Models - 29" Deep										
44250A	50"	80"	(1) 27"	(4) 1/2	1/2 HP/134a	11.1	115/60/1	5-15P	3932	593
44262A	62"	80"	(1) 18" & (1) 27"	(4) 1/2 & (1) 1/3	1/2 HP/134a	11.5	115/60/1	5-15P	4322	746
44274A	74"	80"	(2) 27"	(6) 1/2	3/4 HP/134a	15.1	115/60/1	5-20P	5793	834
44000A Single Service Models - 33" Deep										
44350A	50"	80"	(1) 27"	(4) 1/2	1/2 HP/134a	11.1	115/60/1	5-15P	3932	593
44362A	62"	80"	(1) 18" & (1) 27"	(4) 1/2 & (1) 1/3	1/2 HP/134a	11.5	115/60/1	5-15P	4322	746
44374A	74"	80"	(2) 27"	(6) 1/2	3/4 HP/134a	15.1	115/60/1	5-20P	5793	834
44000PA Pass Thru Models - 31" Deep										
44250PA/SA	50"	80"	(1) 27"	(4) 1/2	1/2 HP/134a	11.1	115/60/1	5-15P	4170	593
44262PA/SA	62"	80"	(1) 18" & (1) 27"	(4) 1/2 & (1) 1/3	1/2 HP/134a	11.5	115/60/1	5-15P	4170	746
44274PA/SA	74"	80"	(2) 27"	(6) 1/2	3/4 HP/134a	15.1	115/60/1	5-20P	5541	834
44000PA Pass Thru Models - 35" Deep										
44350PA/SA	50"	80"	(1) 27"	(4) 1/2	1/2 HP/134a	11.1	115/60/1	5-15P	4170	593
44362PA/SA	62"	80"	(1) 18" & (1) 27"	(4) 1/2 & (1) 1/3	1/2 HP/134a	11.5	115/60/1	5-15P	4170	746
44374PA/SA	74"	80"	(2) 27"	(6) 1/2	3/4 HP/134a	15.1	115/60/1	5-20P	5541	834

