

Commercial Food Processors – FP2000, FP2100, FP2200

WARING
COMMERCIAL

UL US NSF
LISTED



FP2100

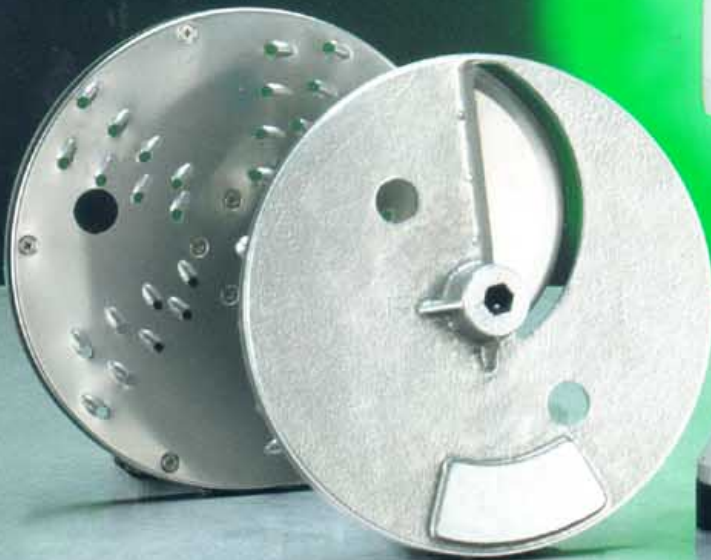


FP2200

NEW!
Limited 5 Year
Motor Warranty



FP2000



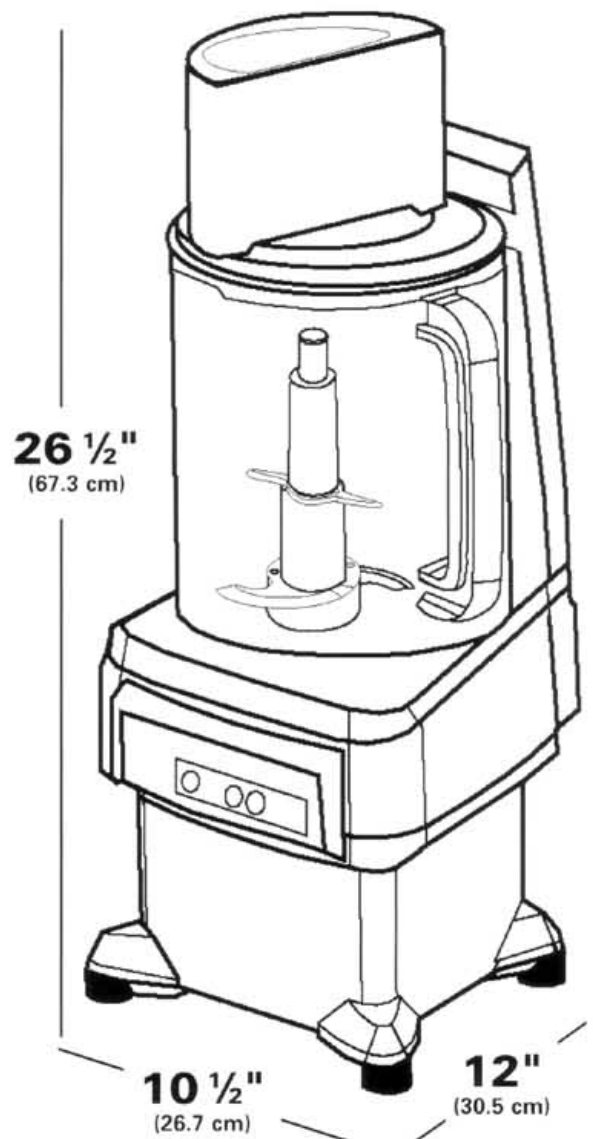
Commercial Food Processors – FP2000, FP2100, FP2200

Common Features:

- **Commercial Grade 3/4 HP High Performance Motor** – dependable, continuous duty motor is built to complete large jobs with ease.
- **Super Large Feed Tube** – reduces preparation time with over 22 square inches of feed space. Same feed tube and pusher on batch and continuous feed processors.
- **Smooth Touch Pad Controls** – ON, OFF and PULSE controls on flat front panel are easy to use and easy to clean.
- **Easy Cleanup** – dishwasher-safe S Blade and accessory discs are removable. Housing wipes clean with a damp cloth.
- **Made in the USA**
- **Safety Features**
 - **Safety Interlock** – prevents machine from operating unless correctly assembled.
 - **Overload Safety Button** – Manual reset button for safe controlled restarts.

Batch Bowl FP2000:

- **Durable Lexan® Bowl** – provides clear view while processing. Rugged polycarbonate is scratch and break resistant.
- **Large Capacity** – holds 4 quarts (3.7 liters) of wet ingredients, 6 quarts (5.7 liters) of dry ingredients
- **Two Handles** – for easy lift and balance
- **2-piece "S" Blade with patented mid-blade** – minimizes processing time
- **Standard Discs Included** – 1/8" Slicing Disc, 3/16" Shredding Disc; Slice, shred or julienne right into the batch bowl.
- **Optional Accessories** – slice, shred, grate, chop, mix and julienne with over a dozen optional discs and a versatile chopping and mixing blade.



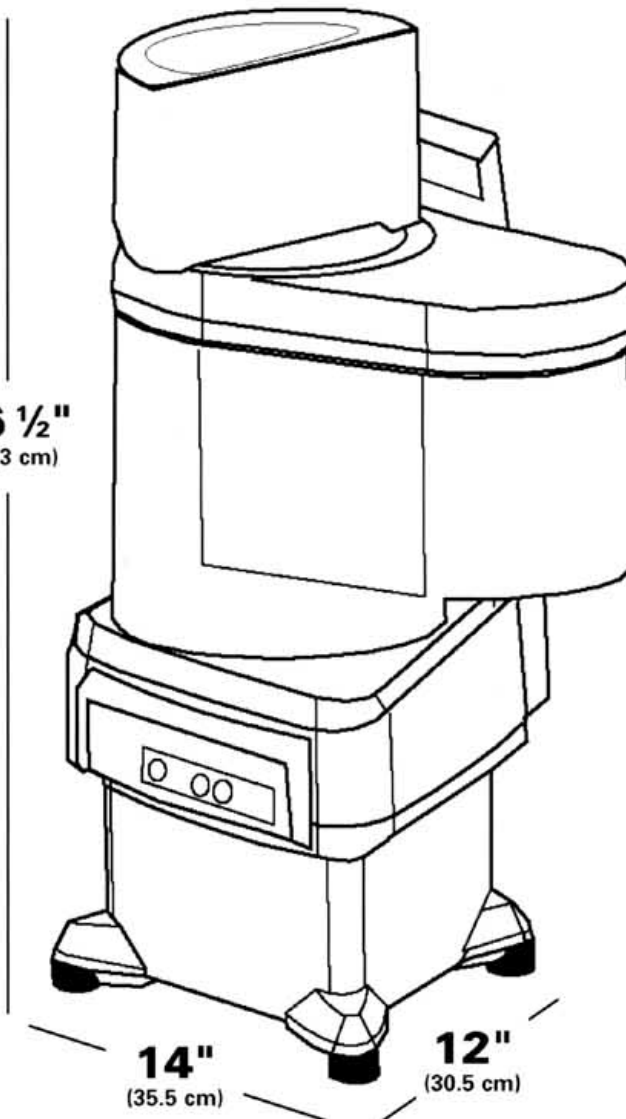
Continuous Feed FP2100:

- **Volume Processing** – Can process up to 1,400 lbs. per hour with continuous feed attachment.
- **Durable Lexan[®] Continuous Feed Attachment** – Rugged and break resistant for big jobs.
- **Standard Discs Included** – 1/8" Slicing Disc, 3/16" Shredding Disc; Slice, shred or julienne.
- **Optional Accessories** – slice, shred, grate, chop, mix and julienne with over a dozen optional discs.
- **Dicing** – optional 1/2" and 3/4" Dicing Grids available for complete food processing capability.

Batch Bowl & Continuous Feed FP2200:

- All the standard features, blades and discs of both food processors.
- **Batch Bowl** – works with any disc or blade to slice, shred, grate, chop, mix and julienne.
- **Continuous Feed Attachment** – works with any disc to process up to 1,400 lbs. per hour.

26 1/2"
(67.3 cm)



14"
(35.5 cm)

12"
(30.5 cm)

Discs For FP2000 - FP2100 - FP2200



Slicing Discs

CAF 10 CAF 11 CAF 12 CAF 13 CAF 14 CAF 15 CAF 16 CAF 17 CAF 18
 $\frac{1}{32}$ " (1mm) $\frac{3}{32}$ " (2mm) $\frac{1}{8}$ " (3mm) $\frac{5}{32}$ " (4mm) $\frac{3}{16}$ " (5mm) $\frac{1}{4}$ " (6mm) $\frac{5}{16}$ " (8mm) $\frac{3}{8}$ " (10mm) $\frac{1}{2}$ " (12mm)



Shredding Discs

CAF 19 CAF 20 CAF 21
 $\frac{1}{8}$ " (3mm) $\frac{3}{16}$ " (5mm) $\frac{3}{8}$ " (10mm)



Dicing Disc* - For Continuous Feed Units Only

CAF 24 CAF 25
 $\frac{1}{2}$ " (12mm) $\frac{3}{4}$ " (18mm)

*Must be used with CAF18 $\frac{1}{2}$ " (12mm) slicing disc



Grating Disc

CAF 22
 $\frac{5}{64}$ " (2mm)



French Fry Disc

CAF 29
 $\frac{3}{8}$ " (10mm)



Julienne Disc

CAF 26 CAF 27 CAF 28
 $\frac{3}{32}$ " (2mm) $\frac{1}{8}$ " (3mm) $\frac{3}{16}$ " (5mm)



"S" Cutting Blade with exclusive mid blade

CAF 31

Specifications:

Item	Electrical	Listings	Dimensions (H" x W" x D")	Warranty
FP2000	120 VAC,	UL, NSF,	26 $\frac{1}{2}$ " x 13" x 12"	1 Year Limited
FP2100	50/60 Hz, 5.6 Amps,	C-UL	26 $\frac{1}{2}$ " x 16" x 12"	
FP2200	7' Cord/NEMA 5-15P plug		26 $\frac{1}{2}$ " x 16" x 12"	

Ordering Information:

Description	Catalog #	Std Pkg.	Ship Wt. (Lbs.)	Cubic Feet	UPC Code
Batch Bowl Commercial Food Processor	FP2000	1	55	5.62	040072960161
Continuous Feed Commercial Food Processor	FP2100	1	57	5.62	040072960178
Batch Bowl and Continuous Feed Commercial Food Processor	FP2200	1	61	9.33	040072960185

