



CATALOG OF REPLACEMENT PARTS

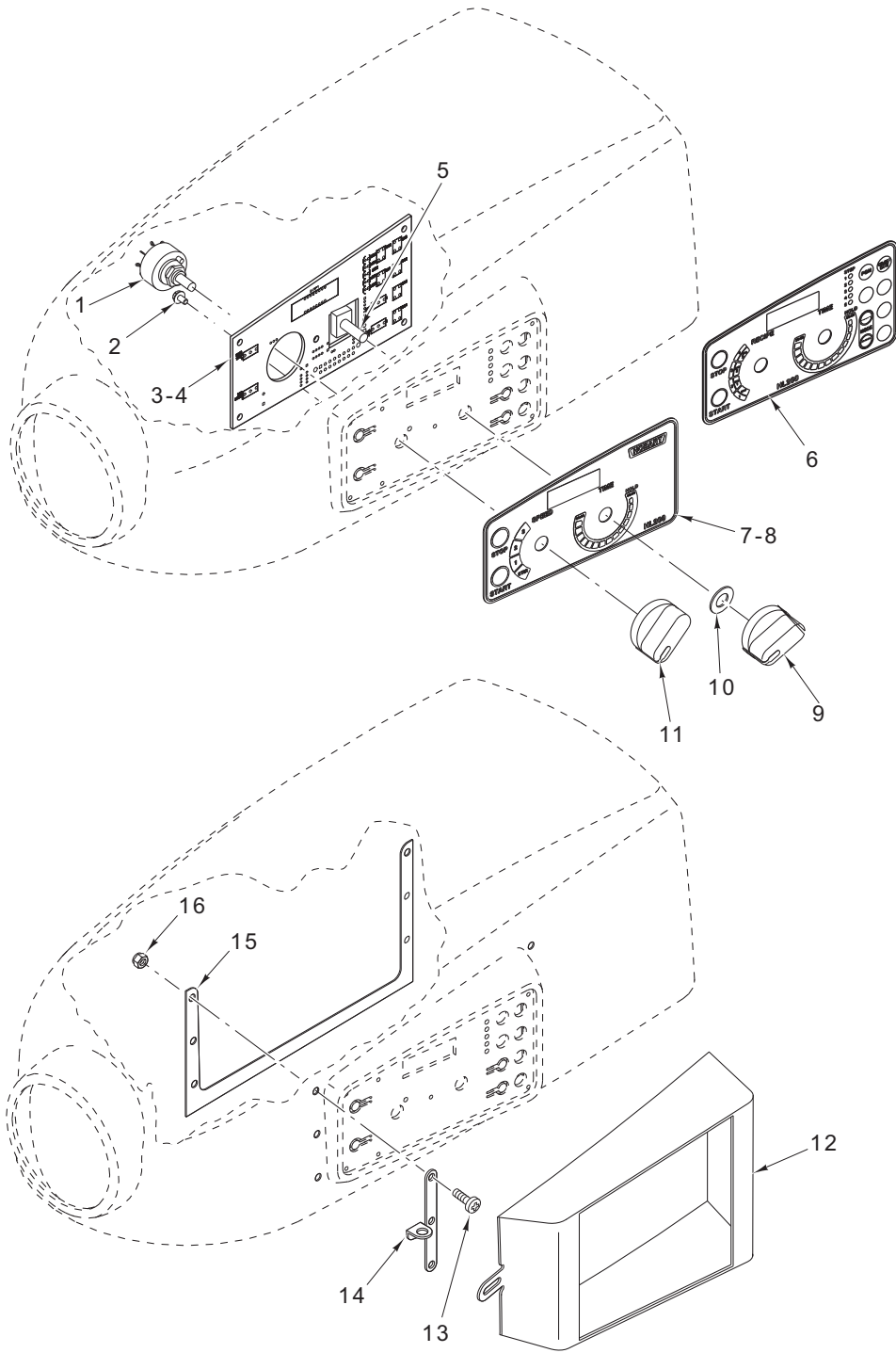


LEGACY MIXER

HL120	ML-134459
HL200	ML-134455
HL200C	ML-134456
HL200	ML-134457
HL200	ML-134458

Table of Contents

5	CONTROL PANEL
6	ELECTRICAL COMPONENTS
7	ATTACHMENT HUB
9	BASE AND PEDESTAL
11	FLOOR BASE AND PEDESTAL (ML-134458)
12	BOWL SUPPORT
13	TRANSMISSION CASE AND MOTOR
15	TRANSMISSION
17	PLANETARY
19	BOWL AND BOWL GUARD
21	AGITATORS AND ACCESSORIES
23	MIXER TABLE (ML-134299)
24	WIRING HARNESS

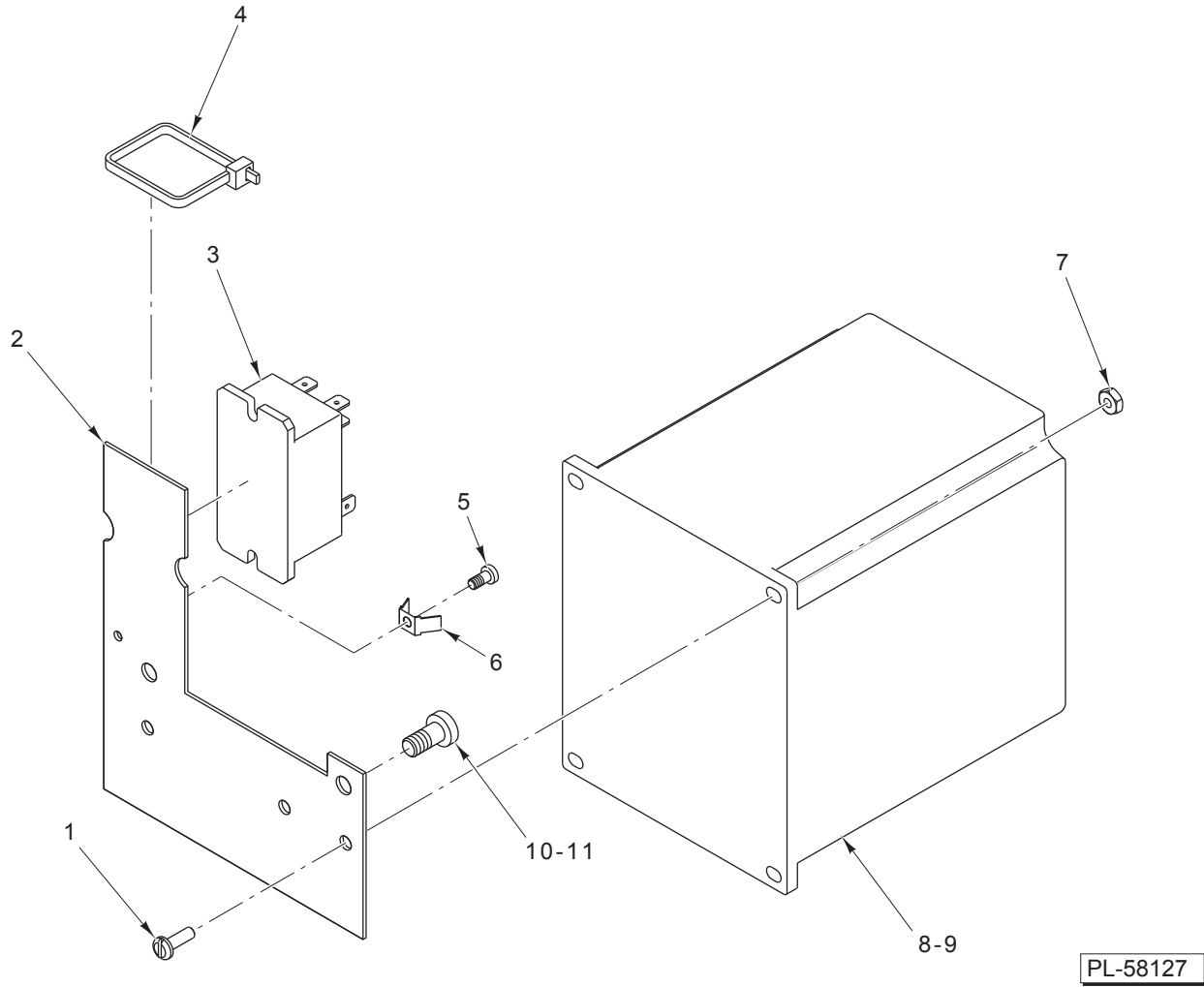


PL-58126

CONTROL PANEL

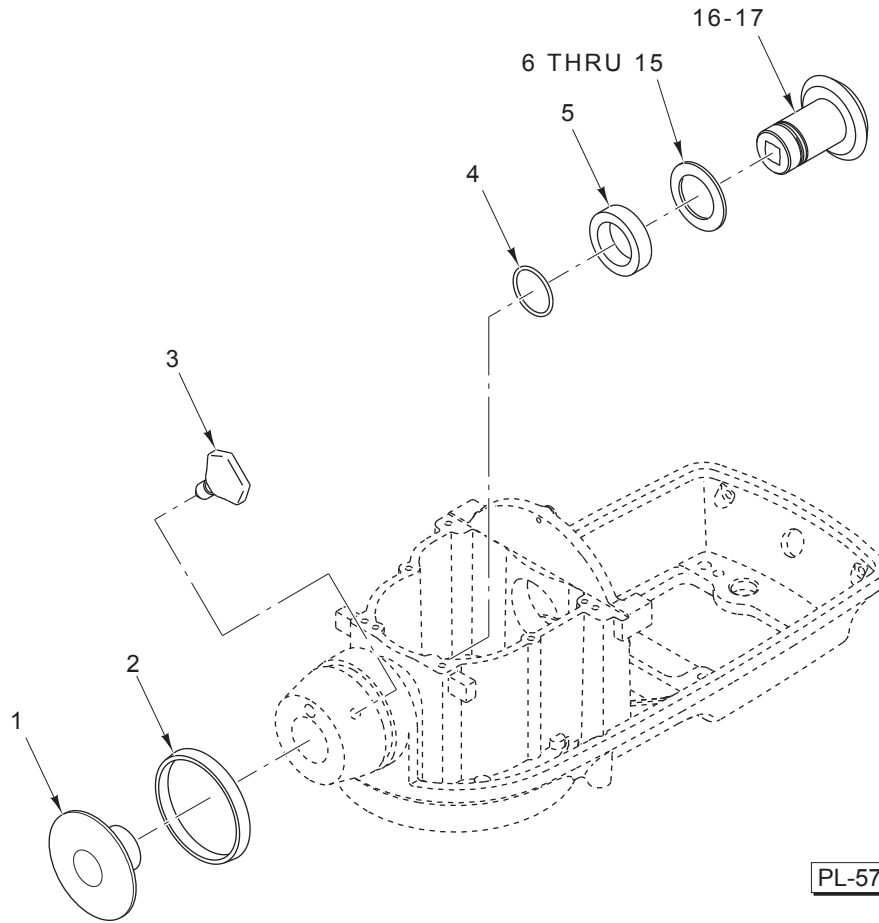
CONTROL PANEL

ILLUS.	PART NO.	NAME OF PART	AMT.
PL-58126			
1	00-874831	Switch – Speed Selector Assy.	1
2	SD-039-23	Self-Tapping Screw 6-32 x 1/4 Hex Washer Hd., Type RL.....	5
3	00-917212	PCB Assy.	1
4	00-917213	PCB Assy. – Recipe Timer (ML-134457)	1
5	00-916594	Potentiometer Assy.	1
6	00-874811	Overlay (With Recipe Timer) (ML-134457).....	1
7	00-874881	Overlay (Without Recipe Timer) (ML-134455, ML-134456, ML-134457, & ML-134458)	1
8	00-874868	Overlay (ML-134459).....	1
9	00-874809	Knob	1
10	WS-031-55	Washer.....	1
11	00-874809	Knob	1
12	00-874921	Cover – Weldment (ML-134456).....	1
13	SC-128-62	Mach. Screw 10-24 x 1/2 Tx. Button Hd. (ML-134456)	6
14	00-874923	Latch (ML-134456)	1
15	00-874931	Plate – Backer (ML-134456).....	1
16	NS-038-13	Lock Nut 10-24 Hex (ML-134456)	6



ELECTRICAL COMPONENTS

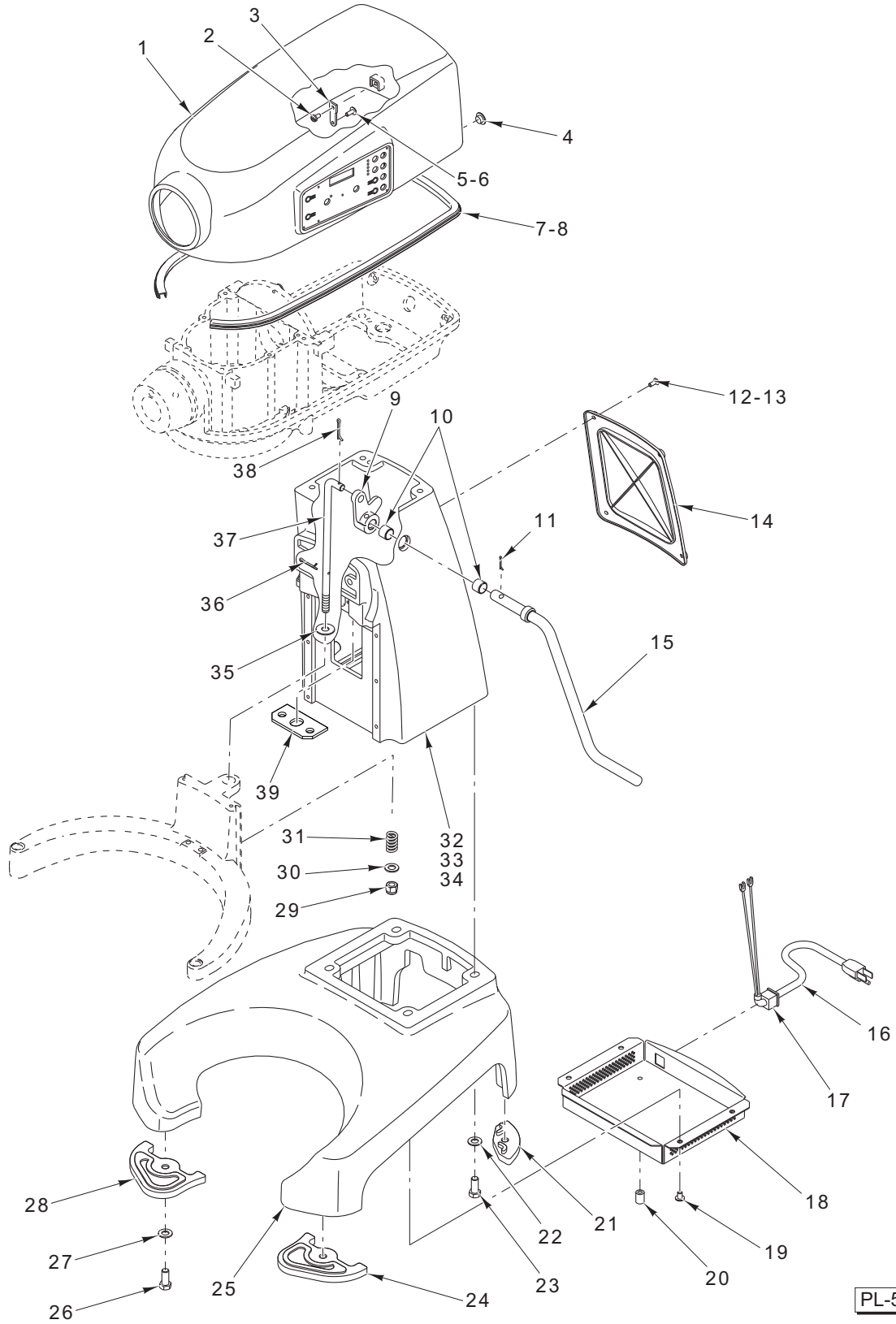
ILLUS.	PART NO.	NAME OF PART	AMT.
PL-58127			
1	SC-018-38	Mach. Screw 8-32 x 1/2 Slotted Pan Hd.....	2
2	00-874763	Bracket – Controller.....	1
3	00-087714-042-5	Relay (2 Pole, 30 Amp.).....	1
4	00-539847	Tie – Cable (8 In.).....	1
5	SD-015-37	Self-Tapping Screw 6-32 x 1/4 Phil. Pan Hd., Type TT.....	1
6	00-065890-00090	Terminal (2-Tab).....	1
7	NS-009-12	Mach. Nut 8-32 Hex.....	2
8	00-916893	Controller – GE Low Voltage.....	1
9	00-916894	Controller – GE High Voltage.....	1
10	SC-114-80	Mach. Screw 1/4-20 x 3/8 Slotted Pan Hd.	2
11	SC-089-01	Cap Screw 1/4-20 x 1/2 Hex Socket Hd. (ML-134308 & ML-134331).....	2



PL-57679

ATTACHMENT HUB

ILLUS.	PART NO.	NAME OF PART	AMT.
PL-57679			
1	00-917221	Plug – Attachment.....	1
2	00-874925-00004	Seal – Neopreme.....	1
3	00-108197-00001	Screw – Thumb 1 ¹ / ₈	1
4	OR-001-03	O-Ring – Quad.....	1
5	00-874837	Spacer	1
6	00-012746-00005	Washer – Thrust (0.080).....	AR
7	00-012746-00006	Washer – Thrust (0.106).....	AR
8	00-012746-00007	Washer – Thrust (0.092).....	AR
9	00-012746-00008	Washer – Thrust (0.086).....	AR
10	00-012746-00009	Washer – Thrust (0.098).....	AR
11	00-012746-00010	Washer – Thrust (0.112).....	AR
12	00-012746-00012	Washer – Thrust (0.119).....	AR
13	00-012746-00013	Washer – Thrust (0.121).....	AR
14	00-012746-00016	Washer – Thrust (0.129).....	AR
15	00-012746-00019	Washer – Thrust (0.115).....	AR
16	00-435065-00002	Bevel Gear Seal Assy. (Incls. Item 17).....	1
17	PL-003-17	Plug – Expansion.....	1

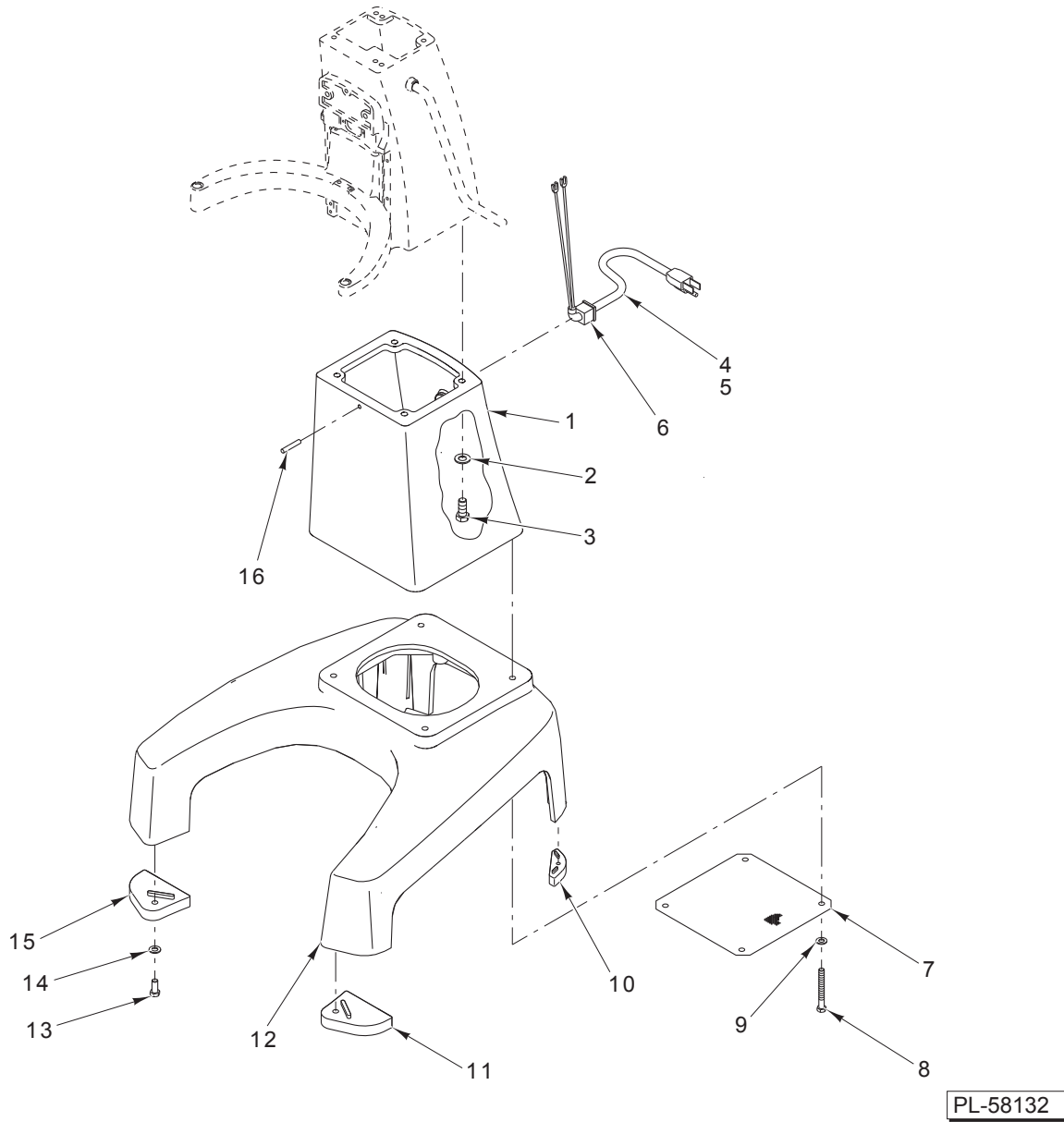


PL-58131

BASE AND PEDESTAL

BASE AND PEDESTAL

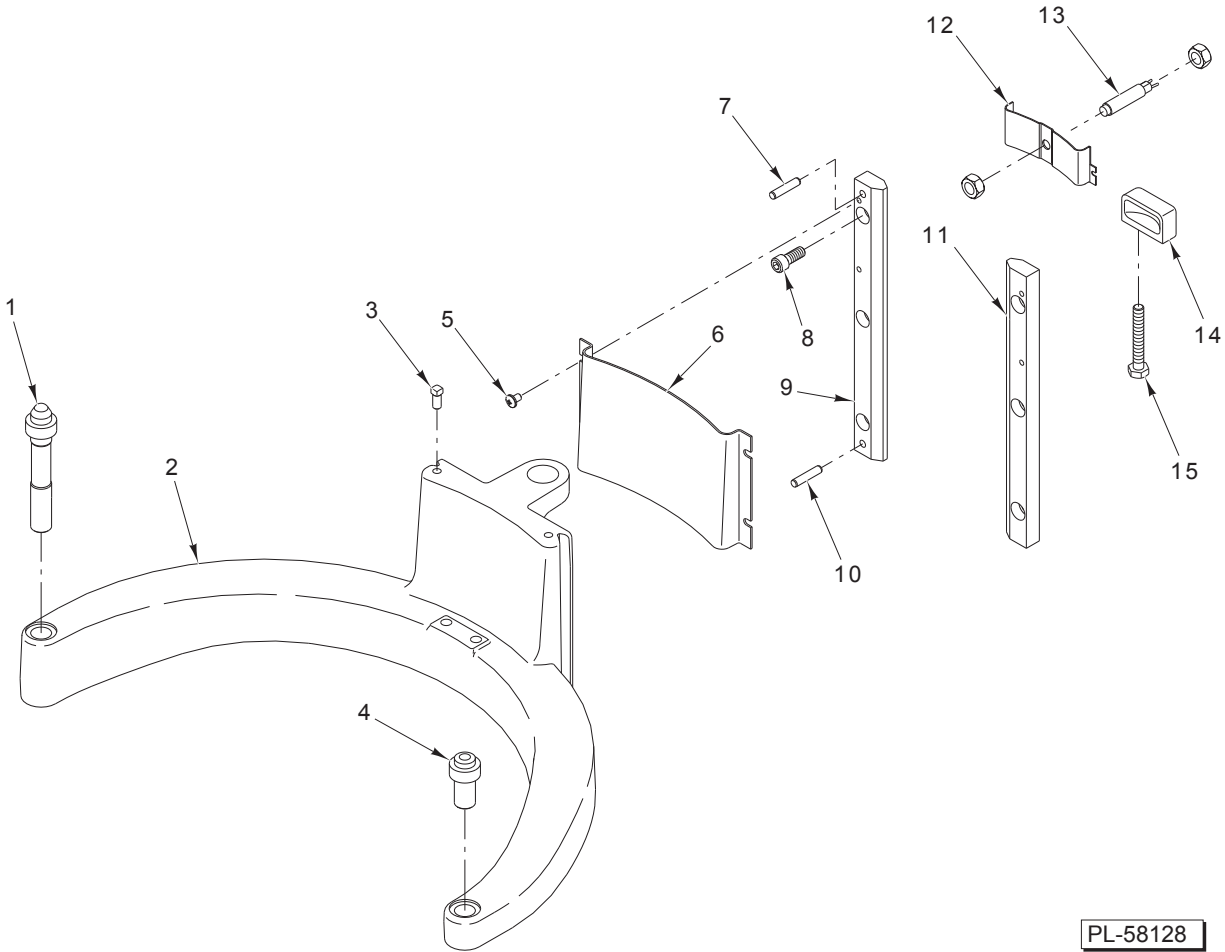
ILLUS. PL-58131	PART NO.	NAME OF PART	AMT.
1	00-916262	Cover – Top.....	1
2	SD-024-01	Self-Tapping Screw 10-24 x 3/8 Slotted Pan Hd., Type TT	2
3	00-874829	Tab – Cover Mounting.....	2
4	00-874857	Plug – Hole	1
5	SC-066-20	Mach. Screw 10-32 x 1/2 Phil. Truss Hd. (SST).....	2
6	SC-128-81	Mach. Screw 10-32 x 1/2 Tx. Button Hd. (ML-134456)	2
7	00-874925-00001	Seal – Neopreme.....	1
8	00-874925-00002	Seal – Neopreme.....	1
9	00-874756	Arm – Bowl Lift.....	1
10	00-479510	Bushing – Bowl Lift	2
11	PS-004-15	Pin – Spirol (1/4).....	1
12	SC-015-34	Mach. Screw 10-24 x 1/2 Slotted Oval Hd.....	4
13	SC-128-75	Mach. Screw 10-24 x 5/8 Flat. Hd. (SST) (ML-134456)	4
14	00-917231	Cover – Pedestal (Back).....	1
15	00-874745-00002	Handle & Bushing – Bowl Lift	1
16	00-874833-00001	Cord & Plug Assy. (120 V.).....	1
17	FE-026-34	Relief – Strain (Electrical) (ML-134456).....	1
18	00-874760	Cover – Controller (ML-134456).....	1
19	SC-114-80	Mach. Screw 1/4-20 x 3/8 Phil. Pan Hd. (ML-134455, & ML-134456)	4
20	FE-026-43	Bushing – Electric Snap (ML-134455, ML-134457, & ML-134459)	1
21	00-874879	Pad – Rear (ML-134456).....	2
22	WS-018-24	Washer (ML-134456).....	4
23	SC-118-11	Cap Screw 3/8-16 x 7/8 Hex Hd. (ML-134456).....	4
24	00-874896	Pad – Front (RH) (ML-134456).....	1
25	00-874720-00002	Base (ML-134456).....	1
26	SC-118-12	Cap Screw 3/8-16 x 3/4 Hex Hd. (ML-134456).....	4
27	WS-018-34	Washer (ML-134456).....	4
28	00-874878	Pad – Front (LH) (ML-134456)	4
29	NS-036-15	Stop Nut 3/8-24 Special.....	1
30	WS-006-26	Washer.....	1
31	00-012782	Spring	1
32	00-874723-00002	Pedestal.....	1
33	00-874925-00003	Seal – Neopreme.....	1
34	SC-100-08	Mach. Screw 1/4-20 x 3/8 Hex Washer Hd.	2
35	WS-006-26	Washer.....	1
36	PC-003-55	Cotter Pin 1/8.....	1
37	00-874748	Rod – Bowl Lift.....	1
38	PC-003-55	Cotter Pin 1/8.....	1
39	00-874870	Plate – Spring Bowl Yoke.....	1
	00-917167	Barrier – Steam.....	1



FLOOR BASE AND PEDESTAL (ML-134458)

FLOOR BASE AND PEDESTAL (ML-134458)

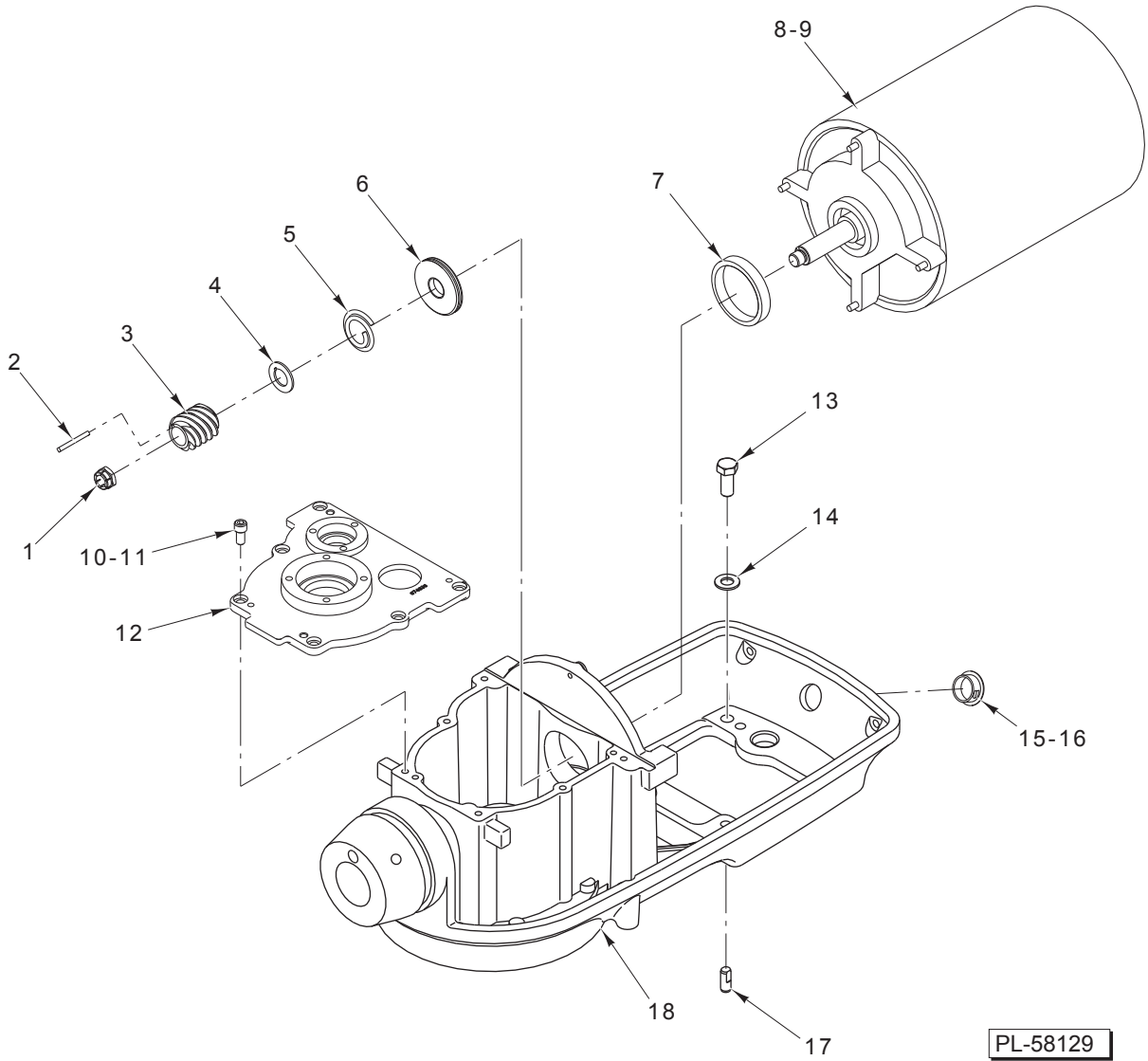
ILLUS.	PART NO.	NAME OF PART	AMT.
PL-58132			
1	00-916548-00002	Block – Riser.....	1
2	WS-018-24	Washer.....	8
3	SC-118-10	Cap Screw 3/8-16 x 1 Hex Hd.....	4
4	00-874833-00001	Cord & Plug Assy. (120 V.).....	1
5	00-117542-00001	Cord & Plug.....	1
6	FE-022-84	Relief – Strain (Electrical).....	1
7	00-916549	Screen – Air Floor.....	1
8	SC-124-91	Cap Screw 3/8-16 x 2 1/2 Hex Hd.....	4
9	WS-018-24	Washer.....	8
10	00-916309	Pad – Rear.....	2
11	00-916308	Pad – Front (RH).....	1
12	00-916213-00004	Base.....	1
13	SC-118-12	Cap Screw 3/8-16 x 3/4 Hex Hd.....	4
14	WS-018-34	Washer.....	4
15	00-916307	Pad – Front (LH).....	1
16	PG-005-25	Pin – Grooved.....	1



PL-58128

BOWL SUPPORT

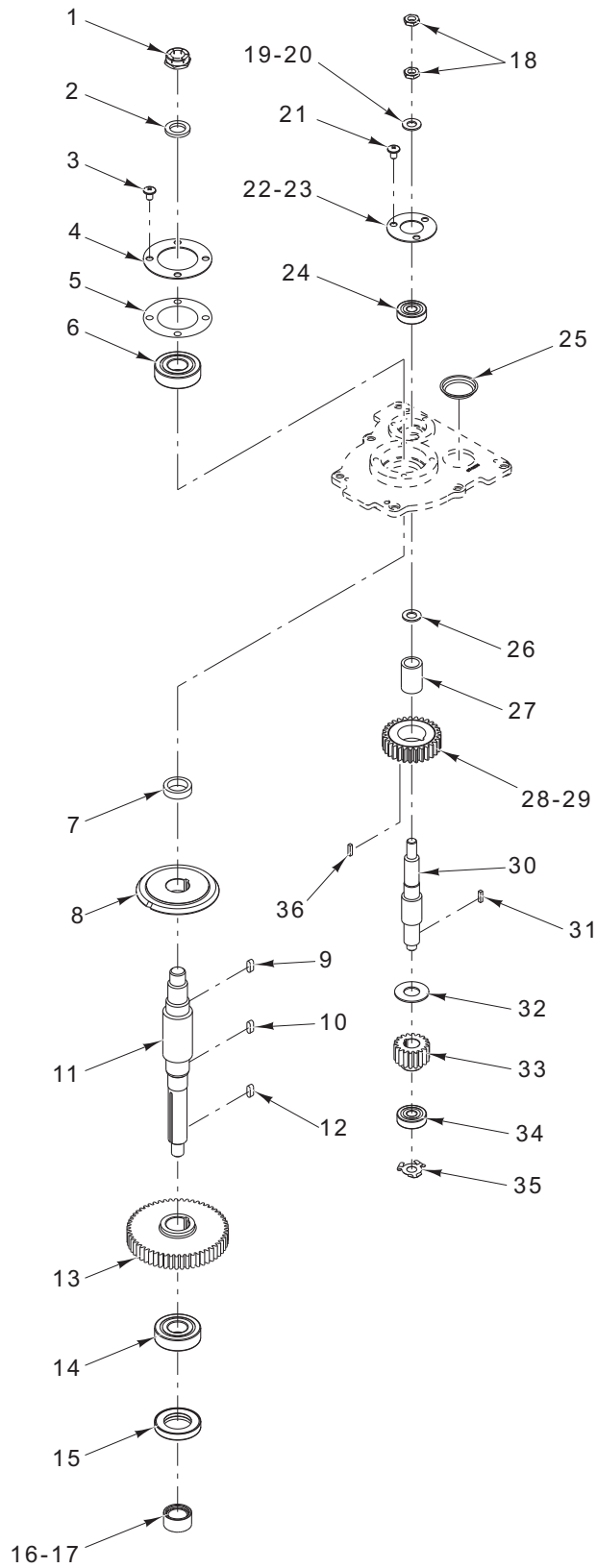
ILLUS.	PART NO.	NAME OF PART	AMT.
PL-58128			
1	00-874726	Pin – Bowl (LH).....	1
2	00-874841-00002	Support – Bowl	1
3	SC-129-22	Set Screw 1/4-20 x 1/4 Sq. Hd. Cup Pt.....	2
4	00-874727	Pin – Bowl (RH)	1
5	SC-122-59	Mach. Screw 8-32 x 1/4 Phil. Pan Hd. (SST)	4
6	00-874742	Apron	1
7	00-011800-00187	Dowel.....	2
8	SC-040-09	Cap Screw 1/4-20 x 1 1/4 Hex Socket Hd.....	6
9	00-874738-00001	Slideway – Bowl Lift (LH).....	1
10	00-011800-00187	Dowel.....	1
11	00-874738-00002	Slideway – Bowl Lift (RH)	1
12	00-874884	Cover – Bowl Interlock	1
13	00-087711-00352	Switch – Reed.....	1
14	00-874842	Hold Down – Bowl (Rear)	1
15	SC-062-69	Cap Screw 1/4-20 x 1 3/4 Hex Hd.....	2
	PB-004-97	Cap	4



PL-58129

TRANSMISSION CASE AND MOTOR

ILLUS.	PART NO.	NAME OF PART	AMT.
	PL-58129		
1	NS-032-23	Lock Nut $\frac{7}{16}$ -20 Special	1
2	00-012430-00004	Key $\frac{1}{8}$ x $\frac{1}{8}$ x $1\frac{1}{4}$	1
3	00-291221	Worm – Gear 60 Cycle	1
4	00-012754	Washer	1
5	00-012757	Absorber – Shock Spring	1
6	00-874820	Deflector – Grease (LH)	1
7	00-916445	Bushing – Motor Mounting	1
8	00-917810	Motor (100-120 V.)	1
9	00-874634	Motor (200-240 V.)	1
10	SC-089-01	Cap Screw $\frac{1}{4}$ -20 x $\frac{1}{2}$ Hex Socket Hd. (HL200)	6
11	SC-089-02	Cap Screw $\frac{1}{4}$ -20 x $\frac{3}{4}$ Hex Socket Hd. (HL120)	6
12	00-874755	Cover – Transmission	1
13	SC-118-11	Cap Screw $\frac{3}{8}$ -16 x $\frac{7}{8}$ Hex Hd.	4
14	WS-018-24	Washer	4
15	00-874857	Plug	1
16	00-874876	Plug – Cupped Expansion	1
17	00-270776	Dowel	2
18	00-917805	Transmission Case – Lower	1
	00-917983	Label Assy. – Warning Shield	1
	00-438131-00187	Label – Warning	1
	SD-039-23	Self-Tapping Screw 6-32 x $\frac{1}{4}$ Hex Washer Hd.	2

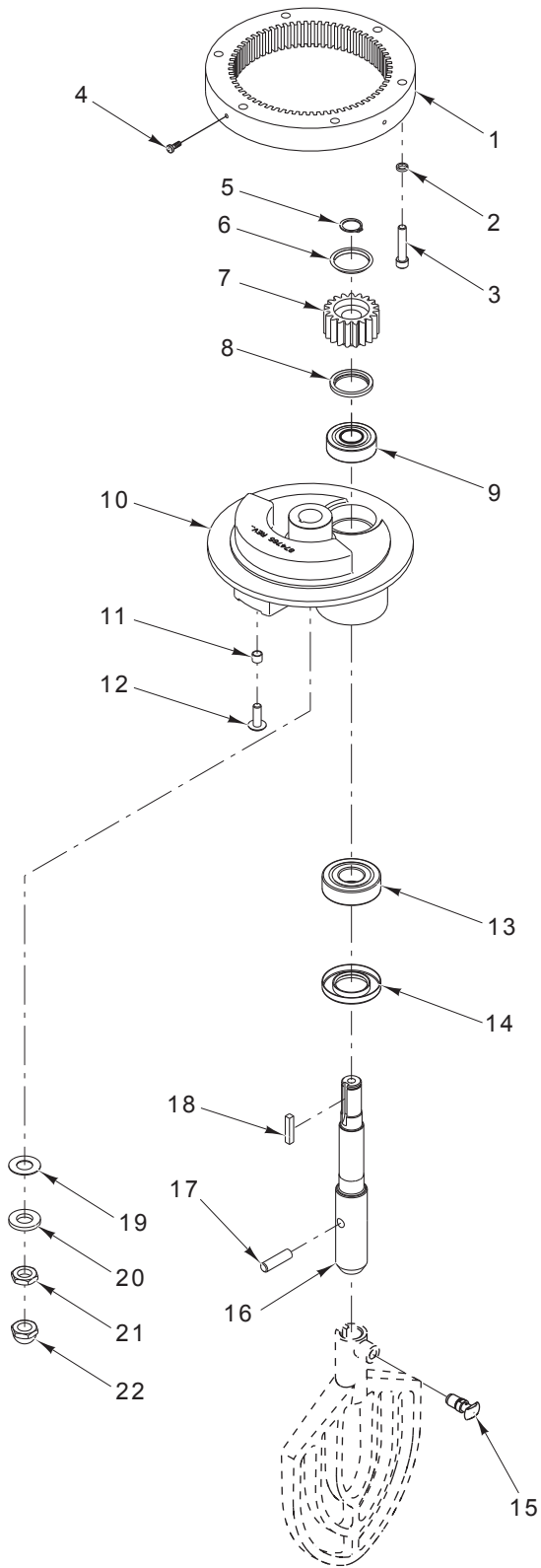


PL-58130

TRANSMISSION

TRANSMISSION

ILLUS. PL-58130	PART NO.	NAME OF PART	AMT.
1	NS-032-37	Lock Nut ⁵ / ₈ -18 Special	1
2	WS-031-41	Washer.....	1
3	SC-114-80	Mach. Screw ¹ / ₄ -20 x ³ / ₈ Phil. Pan Hd.	4
4	00-874787	Retainer – Planetary Bearing.....	1
5	00-874795	Gasket – Bearing.....	1
6	BB-005-34	Bearing – Ball	1
7	00-874793	Spacer – Planetary	1
8	00-124733-00002	Gear – Bevel (46T, 14P).....	1
9	00-874873-00001	Key.....	1
10	00-874873-00002	Key.....	1
11	00-874635	Shaft – Planetary	1
12	00-012430-00017	Key ¹ / ₈ x ¹ / ₈ x 2 ⁷ / ₁₆	1
13	00-874778	Gear (55T, 14P)	1
14	BB-020-06	Bearing – Ball Fafnir 204K.....	1
15	00-114695	Seal – Oil	1
16	00-437342	Spacer – Bearing	1
17	00-067500-00078	O-Ring	1
18	00-012710	Nut – Retaining	2
19	WS-006-36	Washer (ML-134455, ML-134456, ML-134457, & ML-134458).....	1
20	WS-008-13	Washer (ML-134459).....	1
21	SC-114-80	Mach. Screw ¹ / ₄ -20 x ³ / ₈ Phil. Pan Hd.	3
22	00-874788	Retainer – Bearing.....	1
23	BB-005-02	Bearing – Ball	1
24	BB-005-01	Bearing – Ball Fafnir 200K.....	1
25	00-064871	Plug – Friction.....	1
26	WS-006-26	Washer.....	1
27	00-916962	Spacer – Gear	1
28	00-917797	Gear – Worm (100-120 V.).....	1
29	00-874934	Gear – Worm (29T) (200-240 V.).....	1
30	00-916961	Shaft – Worm Wheel.....	1
31	00-012430-00024	Key ¹ / ₈ x ¹ / ₈ x 1 ¹ / ₂	1
32	WS-006-26	Washer (ML-134308, ML-134331, & ML-134312)	1
33	00-874777	Gear (18T, 14P)	1
34	BB-005-01	Bearing – Ball Fafnir 200K.....	1
35	SL-002-08	Spring – Loading.....	1
36	00-012430-00024	Key ¹ / ₈ x ¹ / ₈ x 1 ¹ / ₂	1

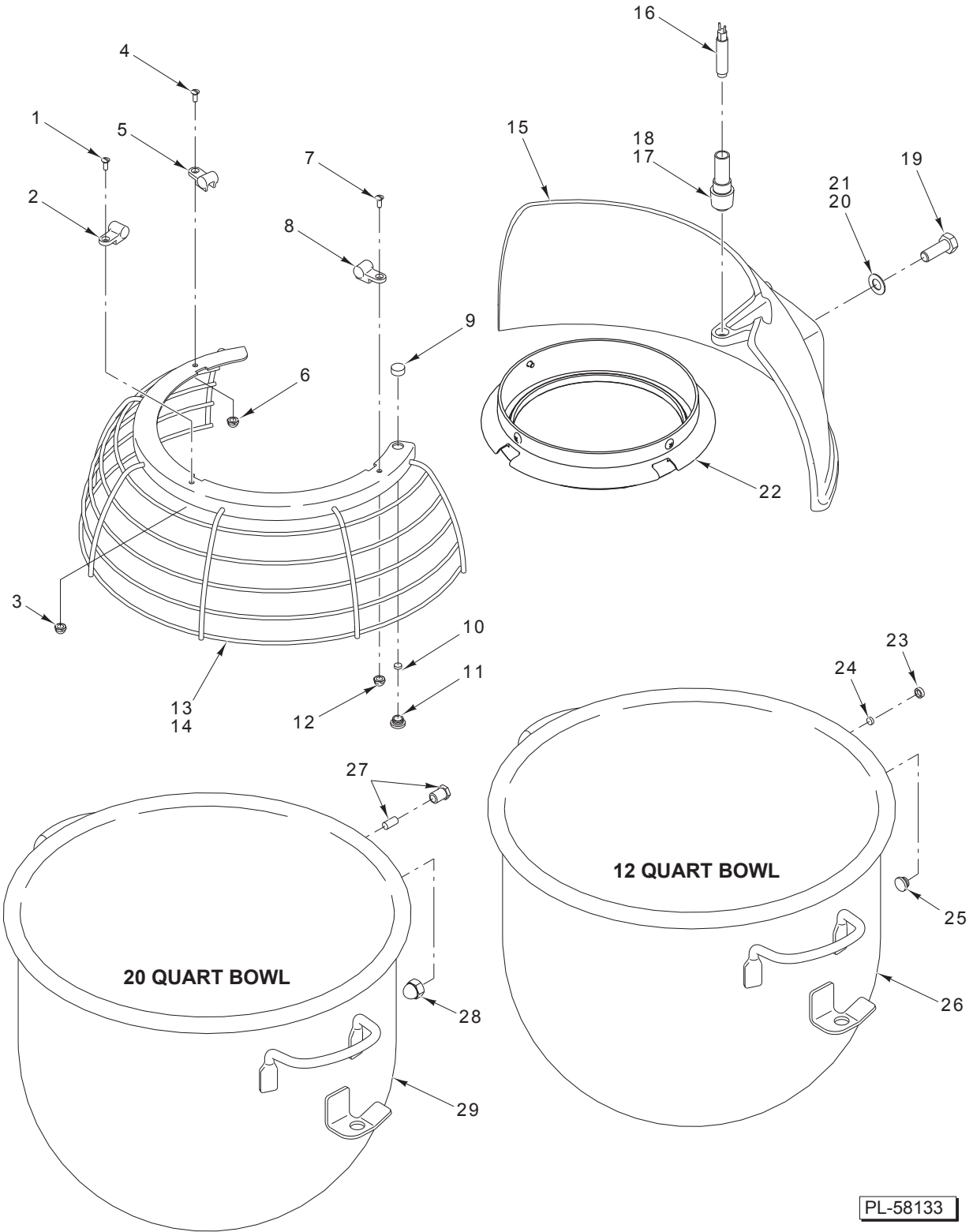


PL-57685

PLANETARY

PLANETARY

ILLUS.	PART NO.	NAME OF PART	AMT.
PL-57685			
1	00-438524-00002	Gear – Internal.....	1
2	WL-003-35	Lockwasher 1/4 Helical.....	6
3	SC-040-09	Cap Screw 1/4-20 x 1 1/4 Hex Socket Hd.....	6
4	SC-066-13	Mach. Screw 8-32 x 1/4 Phil. Truss Hd. (SST).....	3
5	RR-004-18	Ring – Retaining.....	1
6	00-916336	Plug – Friction (1 In. Dia.).....	1
7	00-916335	Pinion – Beater Shaft.....	1
8	00-916512	Seal – Upper Agitator Shaft.....	1
9	BB-018-17	Bearing – Ball Hoover/NSK 6203 DDU.....	1
10	00-916333-00001	Planetary.....	1
11	00-874770	Spacer Bowl Scraper.....	2
12	SC-053-46	Mach. Screw 1/4-20 x 3/4 Slotted Truss Hd. (SST).....	2
13	BB-005-34	Bearing – Ball Hoover/NSK 6204 DDU.....	1
14	00-023482	Seal – Grease 1 In. Dia. Shaft.....	1
15	00-874753	Plunger Assy.	1
16	00-916334	Shaft – Agitator.....	1
17	00-065062-00001	Pin – Dowel.....	1
18	00-012430-00055	Key 3/16 X 3/16 X 1.....	1
19	00-124946	Washer 1/32.....	1
20	WS-030-83	Washer.....	1
21	00-010928-00002	Nut.....	1
22	00-024715-00003	Acorn Nut 1/2-20.....	1
	00-916332	Planetary Subassy. (Incls. Items 5 thru 15, 17, & 20).....	1



PL-58133

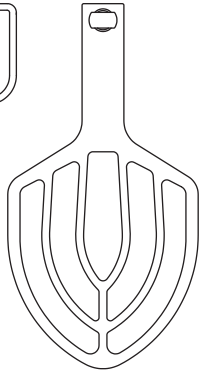
BOWL AND BOWL GUARD

BOWL AND BOWL GUARD

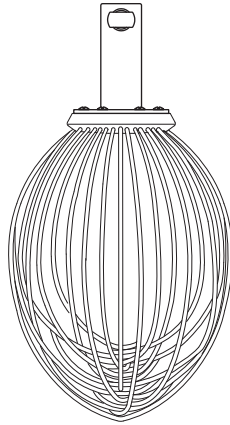
ILLUS.	PART NO.	NAME OF PART	AMT.
PL-58133			
1	SC-129-39	Mach. Screw 6-32 x ⁵ / ₁₆ Slotted Oval Hd.	1
2	00-917349	Carrier – Wire Cage.....	1
3	NS-048-96	Crown Nut 6-32.....	1
4	SC-129-39	Mach. Screw 6-32 x ⁵ / ₁₆ Slotted Oval Hd.	1
5	00-917349-00002	Carrier – Wire Cage (Slotted)	1
6	NS-048-96	Crown Nut 6-32.....	1
7	SC-129-39	Mach. Screw 6-32 x ⁵ / ₁₆ Slotted Oval Hd.	1
8	00-917349	Carrier – Wire Cage.....	1
9	00-917357	Holder – Magnet (Upper).....	1
10	00-874875	Magnet – Disc.....	1
11	00-917358	Holder – Magnet (Lower).....	1
12	NS-048-96	Crown Nut 6-32.....	1
13	00-874822	Wire Cage Assy. (Incls. Items 1 thru 12).....	1
14	00-874822-00002	Wire Cage Assy. (Incls. Items 1 thru 12).....	1
15	00-917234	Guard – Splash.....	1
16	00-087711-00352	Switch – Reed.....	1
17	00-917232	Holder – Switch Reed.....	1
18	00-874839	Pin – Sensor	1
19	SC-118-18	Cap Screw ¹ / ₄ -20 x ⁷ / ₈ Hex Hd.....	2
20	WS-003-19	Washer (HL200).....	2
21	WS-003-46	Washer (HL120).....	4
22	00-917272	Cup – Drip & Flange	1
23	00-917357	Holder – Magnet (Upper).....	1
24	00-874875	Magnet – Disc.....	1
25	00-917358	Holder – Magnet (Lower).....	1
26	00-874864	Bowl Assy. (12 Qt.) (SST) (Packaged) (Incls. Items 23, 24, & 25).....	1
27	00-917527	Housing – Magnet.....	1
28	NS-025-11	Crown Nut ³ / ₈ -24	1
29	00-917720	Bowl Assy. (20 Qt.) (SST) (Packaged) (Incls. Items 27 & 28).....	1



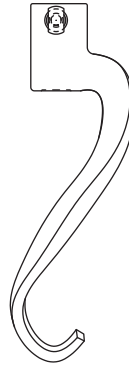
1



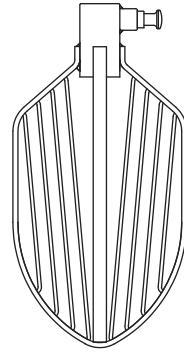
2



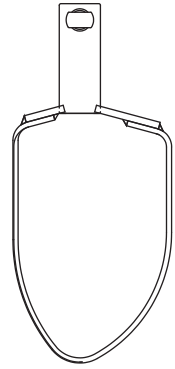
3



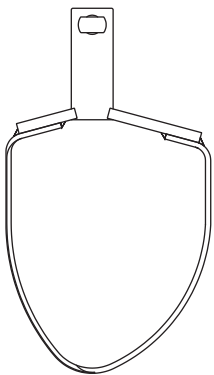
4



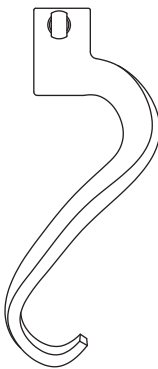
5



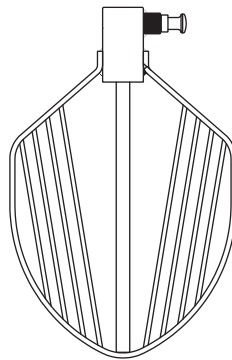
6



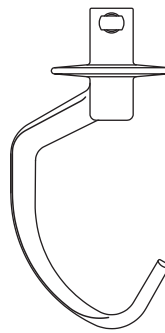
7



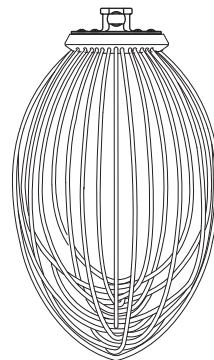
8



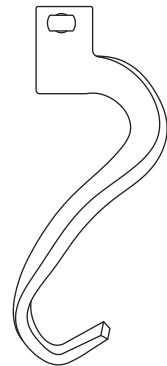
9



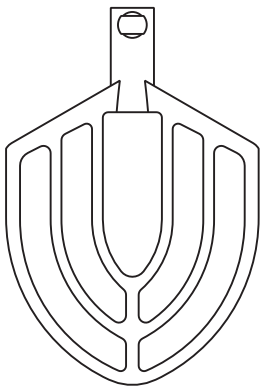
10



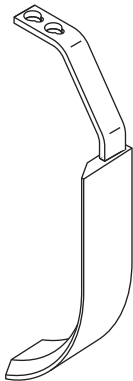
11



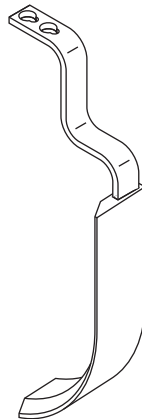
12



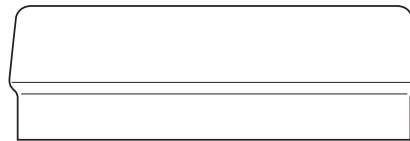
13



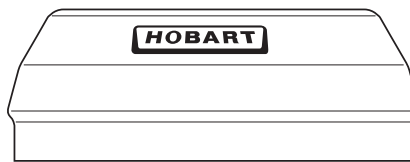
14



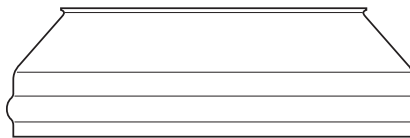
15



16



17



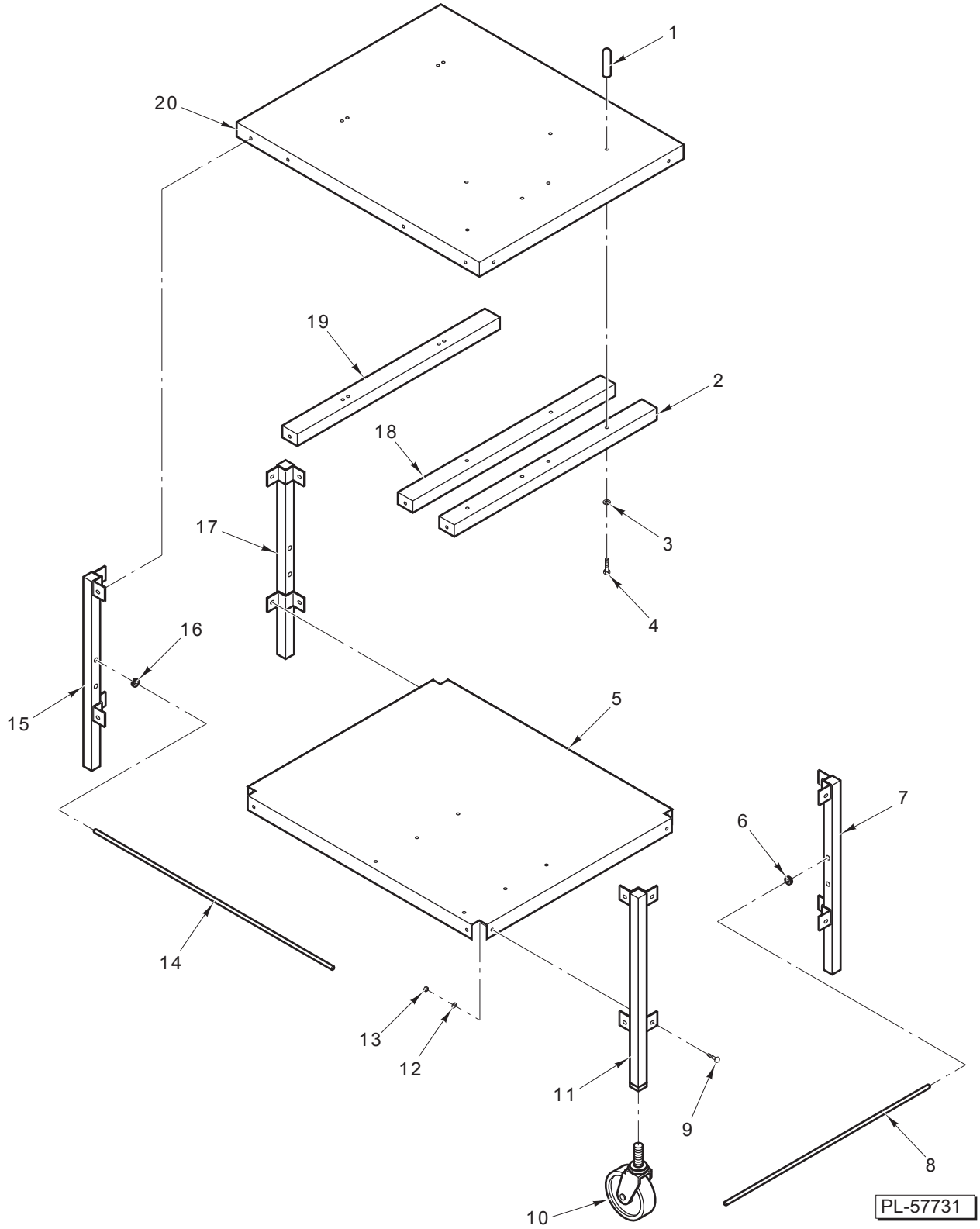
18

PL-57686

AGITATORS AND ACCESSORIES

AGITATORS AND ACCESSORIES

ILLUS.	PART NO.	NAME OF PART	AMT.
PL-57686			
1	00-913049	Scraper – Bowl	1
2	00-874828	“B” Beater (12 Qt.) (Packaged) (Incls. Item 1).....	1
3	00-873360	“D” Wire Whip (12 Qt.) (Packaged) (Incls. Item 1).....	1
4	00-873343	“ED” Dough Arm (12 Qt.) (Packaged) (Incls. Item 1).....	1
5	00-875893	“C” Whip (12 Qt.) (Packaged) (Incls. Item 1).....	1
6	00-873370	Pastry Knife (12 Qt.) (Packaged) (Incls. Item 1).....	1
7	00-873294	Pastry Knife (20 Qt.) (Packaged) (Incls. Item 1).....	1
8	00-873313	“EDA” Dough Arm (20 Qt.) (Packaged) (Incls. Item 1).....	1
9	00-873331	“C” Whip (20 Qt.) (Packaged) (Incls. Item 1).....	1
10	00-873335	“E” Dough Arm (20 Qt.) (Packaged) (Incls. Item 1).....	1
11	00-874792	“D” Wire Whip (20 Qt.) (Packaged) (Incls. Item 1).....	1
12	00-874791	“ED” Dough Arm (20 Qt.) (Packaged) (Incls. Item 1).....	1
13	00-874790	“B” Beater (20 Qt.) (Packaged) (Incls. Item 1).....	1
14	00-873373	Scraper (12 Qt.) (Packaged).....	1
15	00-874836	Scraper (20 Qt.) (Packaged).....	1
16	00-438078	Splash Cover (12 Qt.) (Packaged).....	1
17	00-438079	Splash Cover (20 Qt.) (Packaged).....	1
18	00-875677	Splash Cover (20 Qt.) (SST) (Packaged).....	1
	00-874885	Ingredient Chute (Packaged).....	1
	00-874899	Tray – Support (Packaged).....	1

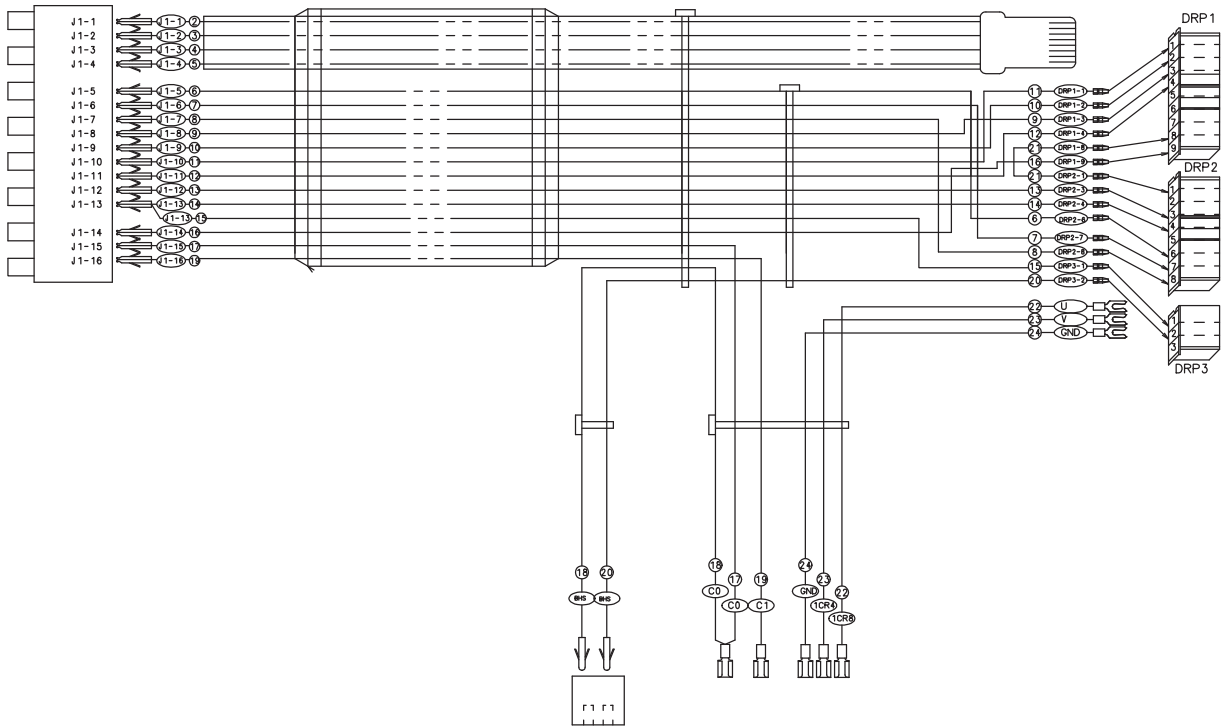


PL-57731

MIXER TABLE (ML-134299)

MIXER TABLE (ML-134299)

ILLUS. PL-57731	PART NO.	NAME OF PART	AMT.
1	00-124075	Post.....	4
2	00-124067	Support – Cross Top	1
3	WL-004-06	Lockwasher ³ / ₈ Helical.....	8
4	SC-037-71	Cap Screw ³ / ₈ -16 x ³ / ₄ Hex Hd.....	8
5	00-123427	Shelf – Table	1
6	00-124076	Grommet.....	4
7	00-124073	Leg – Rear (LH).....	1
8	00-124074-00002	Rod (Short).....	2
9	SC-094-26	Bolt ¹ / ₄ -20 x ¹ / ₂ Sq. Neck Rd. Hd.	22
10	00-205003	Caster – Locking.....	4
11	00-124070	Leg – Rear (RH)	1
12	WS-005-01	Washer.....	22
13	NS-013-02	Nut ¹ / ₄ -20 Hex	22
14	00-124074-00001	Rod (Long).....	4
15	00-124071	Leg – Front (RH).....	1
16	00-124076	Grommet.....	8
17	00-124072	Leg – Front (LH)	1
18	00-875983	Support – Cross Top	1
19	00-124069	Support – Cross Top	1
20	00-875982	Top	1



PL-58135

00-917132-00001 Harness - Main Wiring

WIRING HARNESS