



JOB:  
ITEM:  
QTY:

# BULK CART – FRAME & TUBS

## APPLICATION:

These multi-use carts are ideal for food preparation, pack out, storage and ice. They are available in three different sizes. Removable tubs are constructed of sanitary, non-rusting, washable, and steam cleanable polyethylene.

## MATERIAL:

Framework is constructed out of 1"x1"x.070" wall tubing. Uprights are reinforced with a channel to help prevent breakage from the stem type casters.

## CASTERS:

These carts come equipped with four 5" stem type swivel casters.

## GUARANTEE:

These carts carry a **Lifetime Guarantee** against rust and corrosion and also carry a **Five-Year Guarantee** against workmanship and material defects.



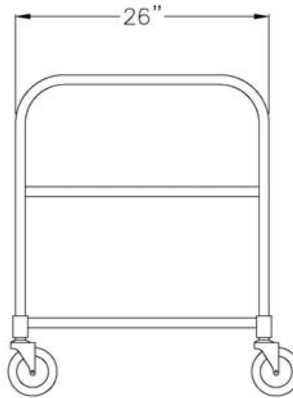
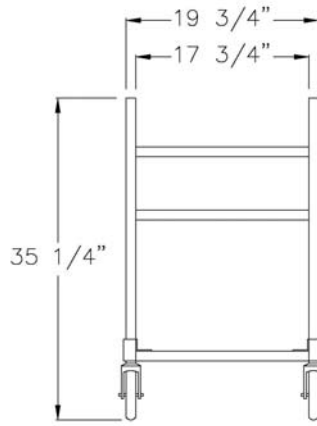
Model #1275

Model #96699



Phone: 800-255-0104  
Fax: 877-877-7687  
[www.newageindustrial.com](http://www.newageindustrial.com)  
[sales@newageindustrial.com](mailto:sales@newageindustrial.com)

New Age Industrial reserves the right to modify or make changes at any time without notice to materials and specifications.



**Model #1275**

Model No.	Size-W	Size-H	Size-D	Bushel Cap.
1275	19 3/4"	35 1/4"	26"	2 1/4
96699	20"	36"	30"	6
96936	22"	32"	39 1/2"	8
<b>Replacement Tubs (Above Units Come W/Tubs)</b>				
0300	19 1/4"	13 3/4"	26"	2 1/4
0363	20"	21"	30"	6
0360	21 1/2"	21"	40"	8



Phone: 800-255-0104  
 Fax: 877-877-7687  
[www.newageindustrial.com](http://www.newageindustrial.com)  
[sales@newageindustrial.com](mailto:sales@newageindustrial.com)

New Age Industrial reserves the right to modify or make changes at any time without notice to materials and specifications.