

TAYLOR[®]

PRECISION PRODUCTS

Industrial

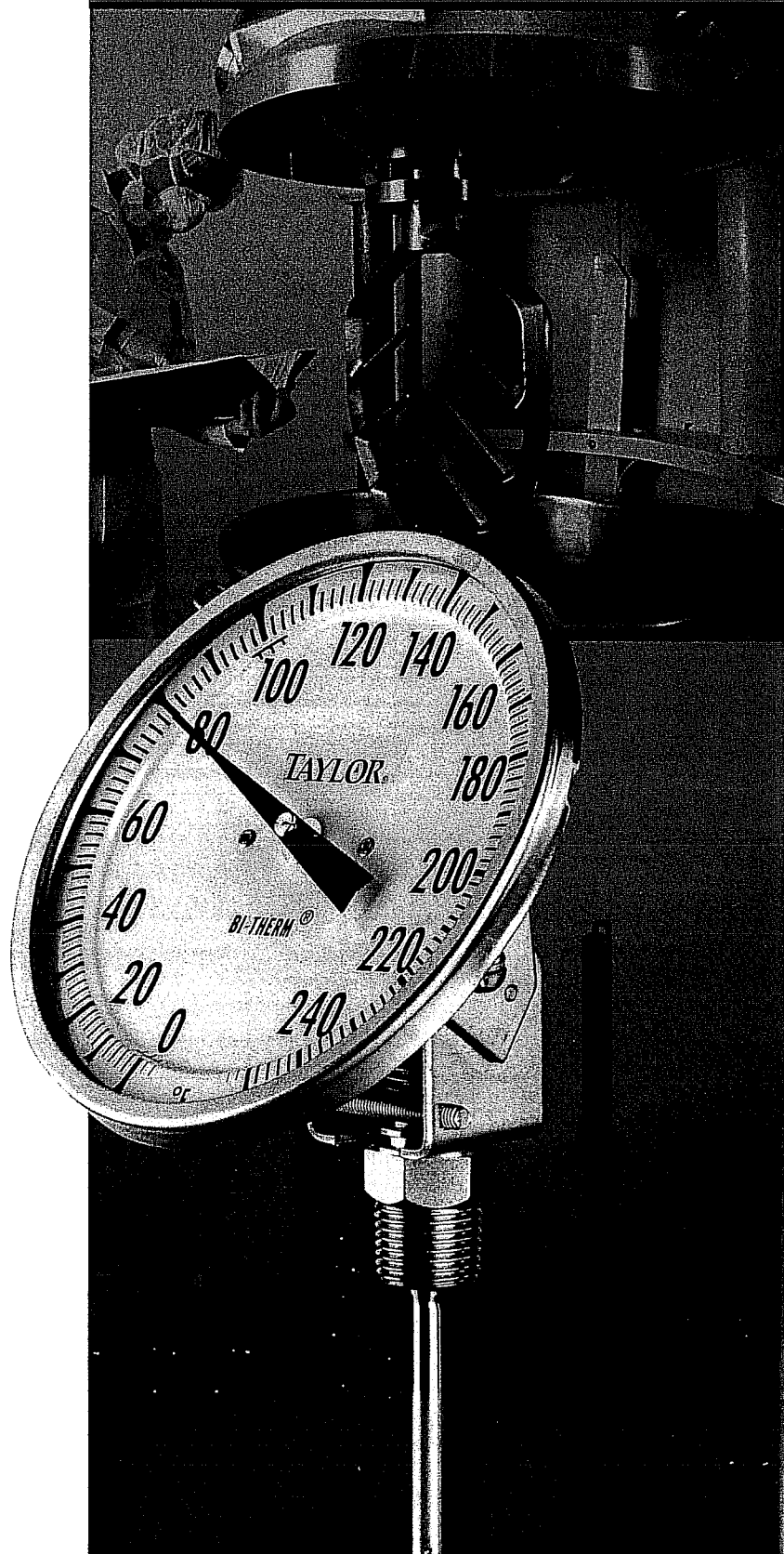
Taylor's 150-year history of excellence in producing accurate, robust, corrosion-resistant thermometers in liquid-in-glass, mechanical and electronic, offers the thermometer user the broadest choice, plus important advantages:

Product Benefits

- ▲ Wide selection of mountings, stem lengths and temperature ranges
- ▲ Long-lasting welded construction
- ▲ Accuracy +/- 1% Full Scale NIST traceable
- ▲ 3 point factory calibration
- ▲ Flexible, external adjustment
- ▲ Robust, shock-proof construction
- ▲ Hermetically sealed dial mechanism
- ▲ Safe, shatter-resistant lens
- ▲ Crisp, legible dials
- ▲ Universal, 1/4" stem stem
- ▲ Anti-parallax dial
- ▲ Popular, 1/2" NPT process thread connection
- ▲ Silicone vibration dampening

Depend on Taylor for flexible, workplace-tough solutions that respond to daily concerns of the demanding industrial environment...where precise temperature measurement is critical. Our products are engineered with safeguards against moisture damage, vibration, chemical attack...and designed to prevent reading error and installation hassle. Taylor meets the challenges of the power generation, chemical process, food process, pharmaceutical, air and water systems markets, among our extensive scope of professional applications. Our focus is on improving your productivity. That's why Taylor customers can expect uncompromising quality and fast response. When it comes to product integrity...service...and support, Taylor sets the standard.

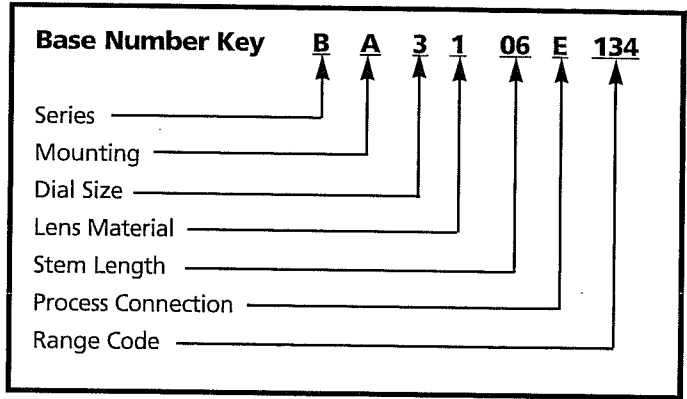
BiTherm[®] Bimetallic Thermometers



Easy Custom Ordering

Select from the tables below to specify your thermometer configuration, lens material and temperature range/scale. Your choices, keyed as the Base catalog Number, include: **Series: B-BiTherm; Mounting: A-Multi-Angle, B-Back, or U-Bottom; Dial sizes: 3 or 5 inch; Lens material: 1 Glass, 4 Polycarbonate, or 7 Safety Glass; Stem Length: 02 to 36, 2 1/2" to 36"; Process Connection: E 1/2" NPT**; plus a 3-digit number from the Range Code Table, indicating your temperature range/scale preference.

To add special construction features and separable wells, refer to back page tables for information to complete your order.



Note: Taylor also manufactures BiTherm Thermometers in 1", 1 3/4", and 2" dial sizes. See catalog 6080 for details.

3" BiTherm® Thermometers

Base Catalog Numbers (Add Range Code From Table Below)

Dial Size & Mounting	Stem Length	2 1/2"	4"	6"	9"	12"	15"	18"	24"	36" *
3" Dial, back mounting	Catalog No.	BB3102E	BB3104E	BB3106E	BB3109E	BB3112E	BB3115E	BB3118E	BB3124E	BB3136E
3" Dial, bottom mounting	Catalog No.	BU3102E	BU3104E	BU3106E	BU3109E	BU3112E	BU3115E	BU3118E	BU3124E	BU3136E
3" Dial, multi-angle mounting	Catalog No.	BA3102E	BA3104E	BA3106E	BA3109E	BA3112E	BA3115E	BA3118E	BA3124E	BA3136E

BiTherm® Thermometer stems require 2" immersion in liquids; 4" immersion in gases. *For longer or special stem length consult factory.

5" BiTherm® Thermometers

Base Catalog Numbers (Add Range Code From Table Below)

Dial Size & Mounting	Stem Length	2 1/2"	4"	6"	9"	12"	15"	18"	24"	36" *
5" Dial, back mounting	Catalog No.	BB5102E	BB5104E	BB5106E	BB5109E	BB5112E	BB5115E	BB5118E	BB5124E	BB5136E
5" Dial, bottom mounting	Catalog No.	BU5102E	BU5104E	BU5106E	BU5109E	BU5112E	BU5115E	BU5118E	BU5124E	BU5136E
5" Dial, multi-angle mounting	Catalog No.	BA5102E	BA5104E	BA5106E	BA5109E	BA5112E	BA5115E	BA5118E	BA5124E	BA5136E

BiTherm® Thermometer stems require 2" immersion in liquids; 4" immersion in gases. *For longer or special stem length consult factory.

Range Code Table

Single Ranges Fahrenheit/Celsius	Resolution Per Division	Range Code	
		F	C
-150/125°F / -100/50°C	5°F / 2°C	134	135
-100/100°F / -50/50°C	2°F / 1°C	044	085
-40/160°F / —	2°F / —	045	—
-20/120°F / —*	2°F / —	021	—*
0/200°F / 0/100°C	2°F / 1°C	081	049
0/250°F / -20/120°C	2°F / 1°C	083	086
25/125°F / -0/50°C*	1°F / 1°C	046	055*
30/240°F / —	2°F / —	008	—
50/300°F / 10/150°C	2°F / 2°C	011	061
50/400°F / 0/200°C	5°F / 2°C	012	080
50/550°F / 0/300°C	5°F / 5°C	047	082
200/700°F / —*	5°F / —	084	—*
200/1000°F / 100/500°C*	10°F / 5°C	018	087*

* Not available with 2 1/2" stem

Add three digit range code to base catalog number for a complete specification

Example: BA3106E 134
Base No. Range Code

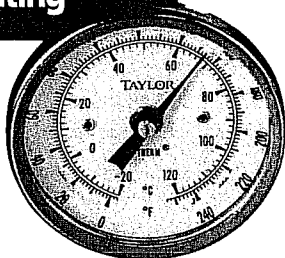
Dual, F&C Ranges	Resolution Per Division	Range Code	
		F	C
-150/125°F & -70/50°C*	2°F / 1°C	138*	
-40/160°F & -40/50°C	2°F / 1°C		142
25/125°F & 0/50°C*	1°F / 1/2°C	099*	
0/250°F & -20/120°C	2°F / 2°C		121
50/300°F & 10/150°C	2°F / 2°C		141
50/550°F & 0/300°C	5°F / 5°C		126
200/1000°F & 100/550°C*	10° / 5°C		139*

Note: Due to graphic requirements, dual range dials are not anti-parallax design.

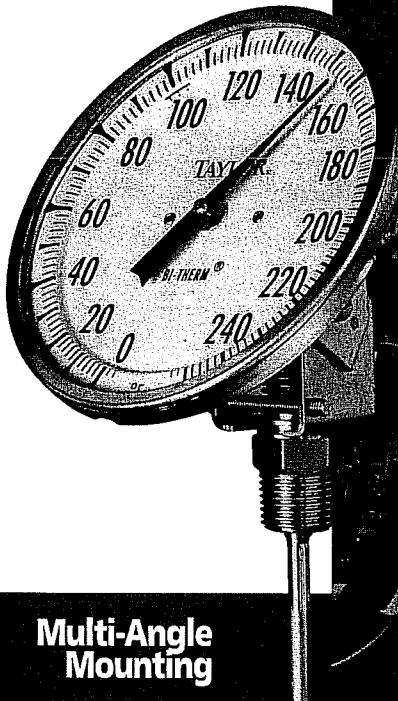
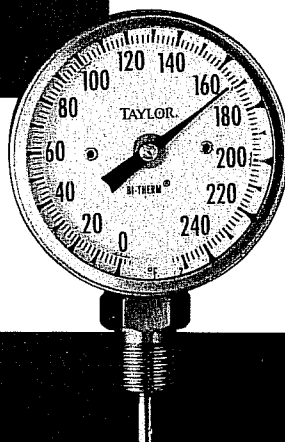
TAYLOR®

BiTherm® Bimetallic 3" & 5" Thermometers

**Back
Mounting**

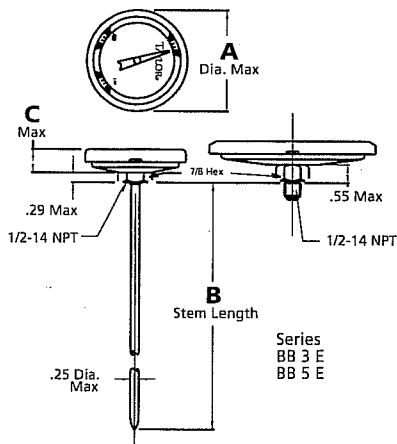


**Bottom
Mounting**

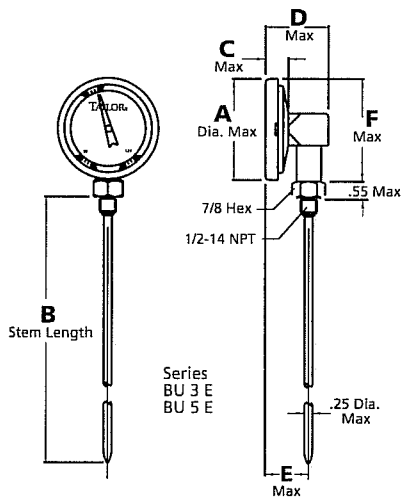


**Multi-Angle
Mounting**

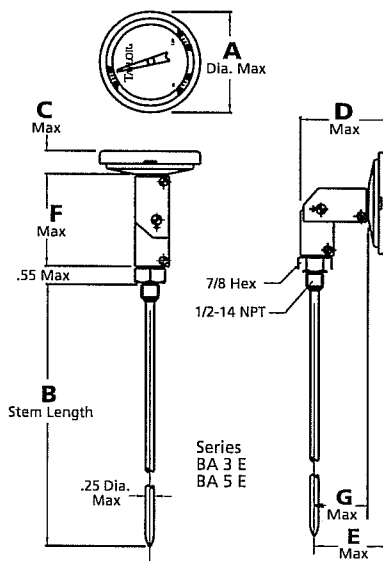
BiTherm® Engineering Dimensions



Sketch 1 / Back Mounting



Sketch 2 / Bottom Mounting



Sketch 3 / Multi-Angle Mounting

Dimension Table for Sketches 1, 2, 3

Series		A (in)	B (in)	C (in)	D (in)	E (in)	F (in)	G (in)
BB3	E	3.03	2.5—36	.70	—	—	—	—
BB5	E	5.01	2.5—36	.72	—	—	—	—
BU3	E	3.03	2.5—36	.70	1.91	1.32	3.07	—
BU5	E	5.01	2.5—36	.72	1.94	1.34	5.06	—
BA3	E	3.03	2.5—36	.70	2.80	2.22	2.75	1.53
BU5	E	5.01	2.5—36	.72	2.82	2.25	2.75	1.53

3" & 5" BiTherm® Special Construction Features*

Description	How to Order
Tamper-proof Construction*—case and bezel sealed to prevent unauthorized recalibration	Add special feature code 60 as Catalog Number prefix *Field lens replacement cannot be performed with this Special Feature
Extra heavy vibration dampening	Add special feature code 67 as Catalog Number prefix
Stainless steel tags with customer's identifying numbers	Add special feature code 68 as Catalog Number prefix
Combination of tamper-proof construction and stainless steel tags with customer's ID numbers	Add special feature code 69 as catalog Number prefix
3/4" NPT Fitting—adapts standard 1/2" NPT to 3/4" NPT	Order Part Number: 8P759
Pan Clip—holds thermometer securely to pans or vats	Order Part Number: 51P426

*Other special construction features available (Refer to factory)

Separable Wells For B Series*

Wells should be used on all pressurized applications, to protect the stem of the thermometer from corrosion and physical damage, and to allow removal of the thermometer without disturbing the process.

Material for all Separable Wells (Refer to factory for other materials)

▲ B-Brass ▲ G-304 Stainless Steel ▲ J-316 Stainless Steel

Specify materials by adding B, G, or J to code number.
Special Well types are available on request.

*Wells accept 1/4" OD stems. Refer to factory for special lengths, for weld-in flanged types, heavy-duty or other.

Separable Wells for B Series
Enter as separate items on order

Stem Size	External Threads	B	U	Code +Material Spec. (B, G or J)
2 1/2"	3/4" NPT	3/4"	1 5/8"	26P490
	1" NPT	3/4"	1 5/8"	26P491
4"	3/4" NPT	1"	2 1/2"	26P412
	1" NPT	1"	2 1/2"	26P413
6"	3/4" NPT	1"	4 1/2"	26P414
	1" NPT	1"	4 1/2"	26P415
9"	3/4" NPT	1"	7 1/2"	26P416
	1" NPT	1"	7 1/2"	26P417
12"	3/4" NPT	1"	10 1/2"	26P418
	1" NPT	1"	10 1/2"	26P419

Extension Neck & Stem

Stem Size	External Threads	B	U	T	E	Code
9"	3/4" NPT	1"	4 1/2"	3"	1 3/64"	26P422
	1" NPT	1"	4 1/2"	3"	1 9/16"	26P423
12"	3/4" NPT	1"	7 1/2"	3"	1 3/64"	26P424
	1" NPT	1"	7 1/2"	3"	1 9/16"	26P425

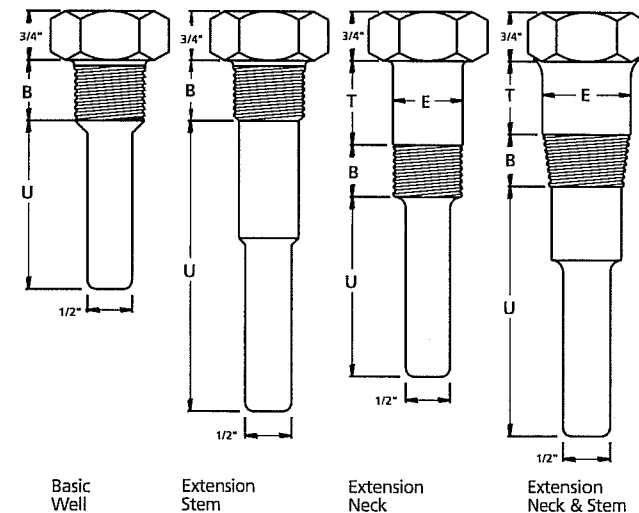
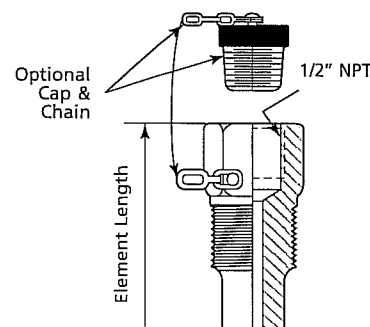
Extension Neck

Stem Size	External Threads	B	U	T	E	Code
6"	3/4" NPT	1"	2 1/2"	2"	1 3/64"	26P420
	1" NPT	1"	2 1/2"	2"	1 5/16"	26P421

Optional Cap & Chain

Assemblies are available in brass or stainless steel. Specify material with a well prefix letter when ordering.

- ▲ B- Brass
- ▲ G- 304 Stainless Steel
- ▲ J- 316 Stainless Steel



TAYLOR®

PRECISION PRODUCTS *Industrial*

Taylor Precision Products
Fletcher, North Carolina
800.225.4834
Fax: 704.687.1689

© Taylor Precision Products 1997
IN001
12.98.10M