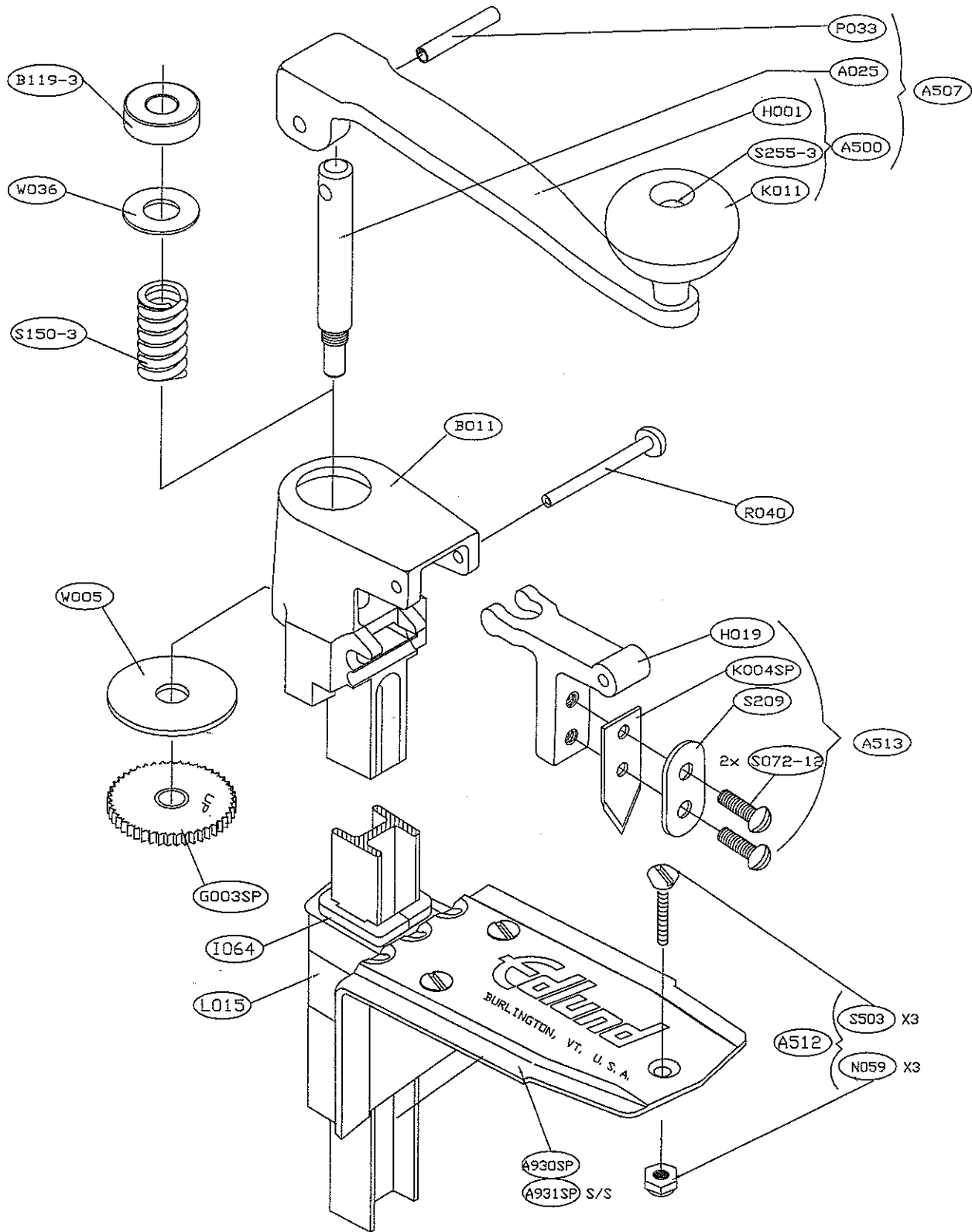


#1 CAN OPENER





PARTS LIST

PART #	U/M	DESCRIPTION
A025	EA	ARBOR, #1
A500	EA	ASSEMBLY, #1 HANDLE & KNOB
A930	EA	ASSEMBLY, #1 CRS (MILD STEEL) BASE
A931	EA	ASSEMBLY, #1 STAINLESS STEEL BASE
A507	EA	ASSEMBLY, #1 HANDLE/ARBOR
A513	EA	ASSEMBLY, #1 KNIFEHOLDER
A5191	EA	ASSEMBLY, #1/#2 SPRING RELEASE CLAMP
B011	EA	BAR, #1 SLIDE (CASTING ONLY)
B119	EA	BUSHING, #1
G003M	BOX	GEAR, #1 24 PKG
G003SP	PKG	GEAR, #1 SINGLE PACK
H001	EA	HANDLE, #1 C O
H019	EA	HOLDER, #1 KNIFE
I064	EA	INSERT, #1 BASE
K004M	BOX	KNIFE, #1 24 PKG
K004SP	PKG	KNIFE, #1 SINGLE PACK
K011	EA	KNOB, MANUAL CAN OPENER
L015	EA	LABEL, #1/#2 WARNING FOR BASED
N059	PKG	NUT, 10-32 SELF LOCKING (3/PKG W/S503)
P033	EA	PIN, ROLL, 7/32 X 1-3/8 PLATED
R040	EA	RIVET, #1 KNIFEHOLDER, 247X1-5/8
S072	EA	SCREW, #1/#2, 12-24 X 7/16 RHM
S150	EA	SPRING, #1
S255	EA	STUD, #1/#2 KNOB
S209	EA	SUPPORT, KNIFE
A512	PKG	BASE HARDWARE ASSM : (3) N059, (3) S503
W005	EA	WASHER, #1 GEAR
W036	EA	WASHER, #1 SPRING