

SM(N) C/P Series Produce Scales

- Stainless-steel construction
- Easy-to-read 30° tilted dial
- Weight capacities: 32oz to 50lb



Optional carrying handle

Zero-setting mechanism



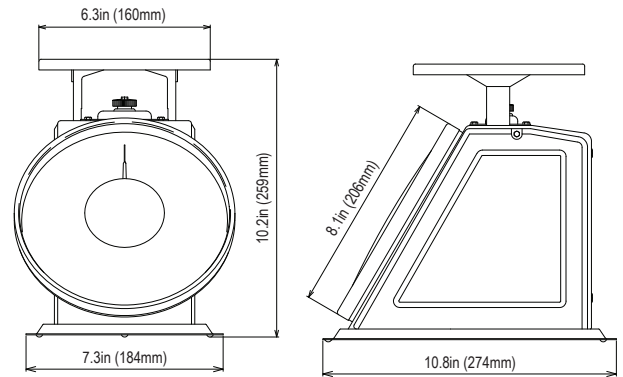
Stainless-steel circular platform

Fine-point indicator for accuracy



MODEL	SM(N) C/P SERIES	
Capacity	SM(N)-24 C/P	32oz x 1/4oz
	SM(N)-24PK C/P	32oz x 1/4oz and 900g x 2g
	SM(N)-28 C/P	32oz x 1/8oz
	SM(N)-28PK C/P	32oz x 1/8oz and 900g x 2g
	SM(N)-5 C/P	5lb x 1/2oz
	SM(N)-5PK C/P	5lb x 1/2oz and 2kg x 10g
	SM(N)-10 C/P	10lb x 1oz
	SM(N)-10PK C/P	10lb x 1oz and 4kg x 20g
	SM(N)-20 C/P	20lb x 1oz
	SM(N)-20PK C/P	20lb x 1oz and 9kg x 50g
	SM(N)-25D C/P	25lb x 0.1lb
	SM(N)-25PK C/P	25lb x 2oz and 11kg x 50g
	SM(N)-30PK C/P	30lb x 2oz and 13.5kg x 50g
	SM(N)-40 C/P	40lb x 2oz
SM(N)-40PK C/P	40lb x 2oz and 18kg x 50g	
SM(N)-54PK C/P	50lb x 4 oz and 22kg x 100g	
SM(N)-800 C/P	800g x 1g	
SM(N)-410 C/P	4kg x 10g	
SM(N)-1250 C/P	12kg x 50g	
Weighing System	Temperature compensated spring mechanism	
Platform	Circular platform designed to be used with bowl, 6.5in (165mm) diameter	
Operating Temperatures	14°F ~ 104°F (-10°C ~ 40°C)	
Housing Material	Stainless-steel construction	
Options	Air dashpot Carrying handle 2.5qt (10in)* stainless steel flat bowl 4.2qt (11in)* stainless steel bowl	

Dimensions



*Requires a bowl for use. Permanently attached.
C/P = Circular Plate PK = Pound-Kilogram D = Decimal Pound