

M Series Portion Control Scales

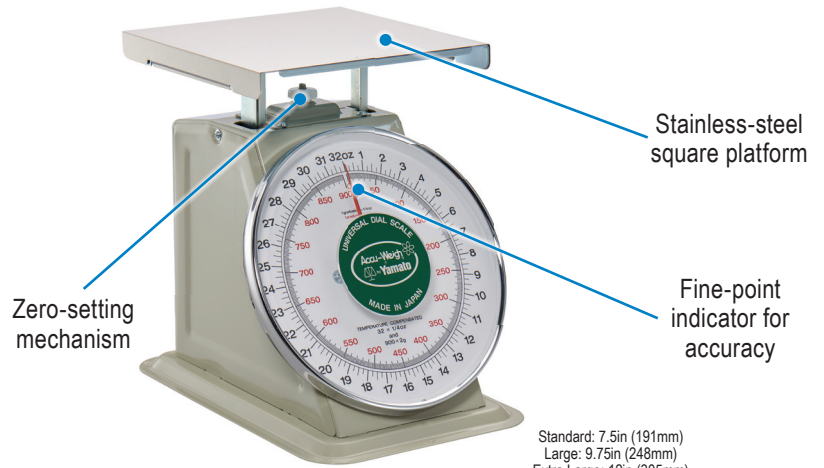
- Enameled steel construction
- Easy-to-read 30° tilted dial
- Standard weight capacities: 32oz to 40lb
- Heavy-duty weight capacities available: 50lb to 150lb



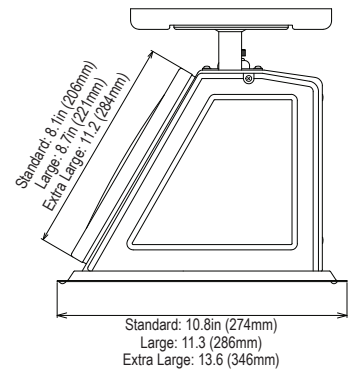
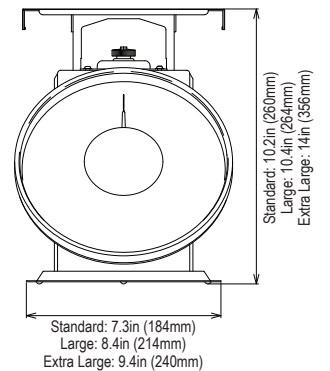
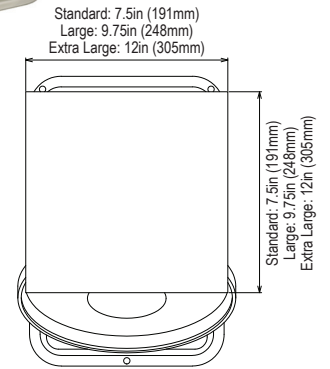
Optional carrying handle



Optional spider and bowl assembly



Dimensions



| MODEL | M SERIES | DIAL SIZE | PLATFORM |
|---------|------------------------------|--------------|---------------------------------|
| M-24 | 32oz x 1/4oz | 8in (203mm) | 7.5in x 7.5in (191mm x 191mm) |
| M-24PK | 32oz x 1/4oz and 900g x 2g | 8in (203mm) | 7.5in x 7.5in (191mm x 191mm) |
| M-28 | 32oz x 1/8oz | 8in (203mm) | 7.5in x 7.5in (191mm x 191mm) |
| M-28PK | 32oz x 1/8oz and 900g x 2g | 8in (203mm) | 7.5in x 7.5in (191mm x 191mm) |
| M-5 | 5lb x 1/2oz | 8in (203mm) | 7.5in x 7.5in (191mm x 191mm) |
| M-5PK | 5lb x 1/2oz and 2kg x 10g | 8in (203mm) | 7.5in x 7.5in (191mm x 191mm) |
| M-10 | 10lb x 1oz | 8in (203mm) | 7.5in x 7.5in (191mm x 191mm) |
| M-10PK | 10lb x 1oz and 4kg x 20g | 8in (203mm) | 7.5in x 7.5in (191mm x 191mm) |
| M-20 | 20lb x 1oz | 8in (203mm) | 7.5in x 7.5in (191mm x 191mm) |
| M-20PK | 20lb x 1oz and 9kg x 50g | 8in (203mm) | 7.5in x 7.5in (191mm x 191mm) |
| M-25D | 25lb x 0.1lb | 8in (203mm) | 7.5in x 7.5in (191mm x 191mm) |
| M-25PK | 25lb x 2oz and 11kg x 50g | 8in (203mm) | 7.5in x 7.5in (191mm x 191mm) |
| M-30PK | 30lb x 2oz and 13.5kg x 50g | 8in (203mm) | 7.5in x 7.5in (191mm x 191mm) |
| M-40 | 40lb x 2oz | 8in (203mm) | 7.5in x 7.5in (191mm x 191mm) |
| M-40PK | 40lb x 2oz and 18kg x 50g | 8in (203mm) | 7.5in x 7.5in (191mm x 191mm) |
| M-54PK | 50lb x 4oz and 22kg x 100g | 8in (203mm) | 7.5in x 7.5in (191mm x 191mm) |
| M-50 | 50lb x 2oz | 9in (229mm) | 9.75in x 9.75in (248mm x 248mm) |
| M-50PK | 50lb x 2oz and 22kg x 50g | 9in (229mm) | 9.75in x 9.75in (248mm x 248mm) |
| M-74PK | 70lb x 4oz and 30kg x 100g | 9in (229mm) | 9.75in x 9.75in (248mm x 248mm) |
| M-75PK | 75lb x 4oz and 33.5kg x 100g | 10in (254mm) | 12in x 12in (305mm x 305mm) |
| M-100PK | 100lb x 4oz and 45kg x 100g | 10in (254mm) | 12in x 12in (305mm x 305mm) |
| M-150PK | 150lb x 8oz and 67kg x 200g | 10in (254mm) | 12in x 12in (305mm x 305mm) |
| M-800 | 800g x 1g | 8in (203mm) | 7.5in x 7.5in (191mm x 191mm) |
| M-410 | 4kg x 10g | 8in (203mm) | 7.5in x 7.5in (191mm x 191mm) |
| M-1250 | 12kg x 50g | 8in (203mm) | 7.5in x 7.5in (191mm x 191mm) |

| | |
|------------------------|---|
| Weighing System | Temperature compensated spring mechanism |
| Operating Temperatures | 14°F ~ 104°F (-10°C ~ 40°C) |
| Housing Material | Enameled steel construction |
| Options | Air dashpot, carrying handle, 2.5qt (10in) flat bowl, 4.2qt (11in) bowl 2.5qt (10in) flat bowl with spider |

PK = Pound-Kilogram D = Decimal Pound