



WWB3G

3-Gallon Hot Water Dispenser



3-Gallon Hot Water Dispenser



MAIN FEATURES

- Digital Controls and LCD Display for Ease of Operation
- Precise Temperature Control and Accuracy
- Temperature Control Range From 150°F – 205°F
- Stainless Steel Construction
- Tomlinson® No-Drip® Tap Operation*
- Night Mode – Hot Water When You Need It
- Guard Rails for Warming Surface
- Removable Drip Tray for Easy and Convenient Cleaning
- Small Footprint Saves on Counter Space
- Uses: Tea, Coffee, Soups, Grits, Oatmeal, etc.
- Limited One Year Warranty

*Tomlinson®, No-Drip® and the Faucet and Handle configurations are registered trademarks of The Meyer Company, Cleveland, OH

ELECTRICAL

Voltage: 120

Frequency: 60Hz

Watts: 1440

Plug Type: NEMA 5-15P 

Cord Length: 3 feet



SALES FEATURES

Hot water is an essential element for the majority of working kitchens. With many kitchens having limited space, this 3-gallon hot water dispenser is the perfect solution. Night-mode feature adds even more efficiency by providing hot water precisely when you need it.



@waringcommercial

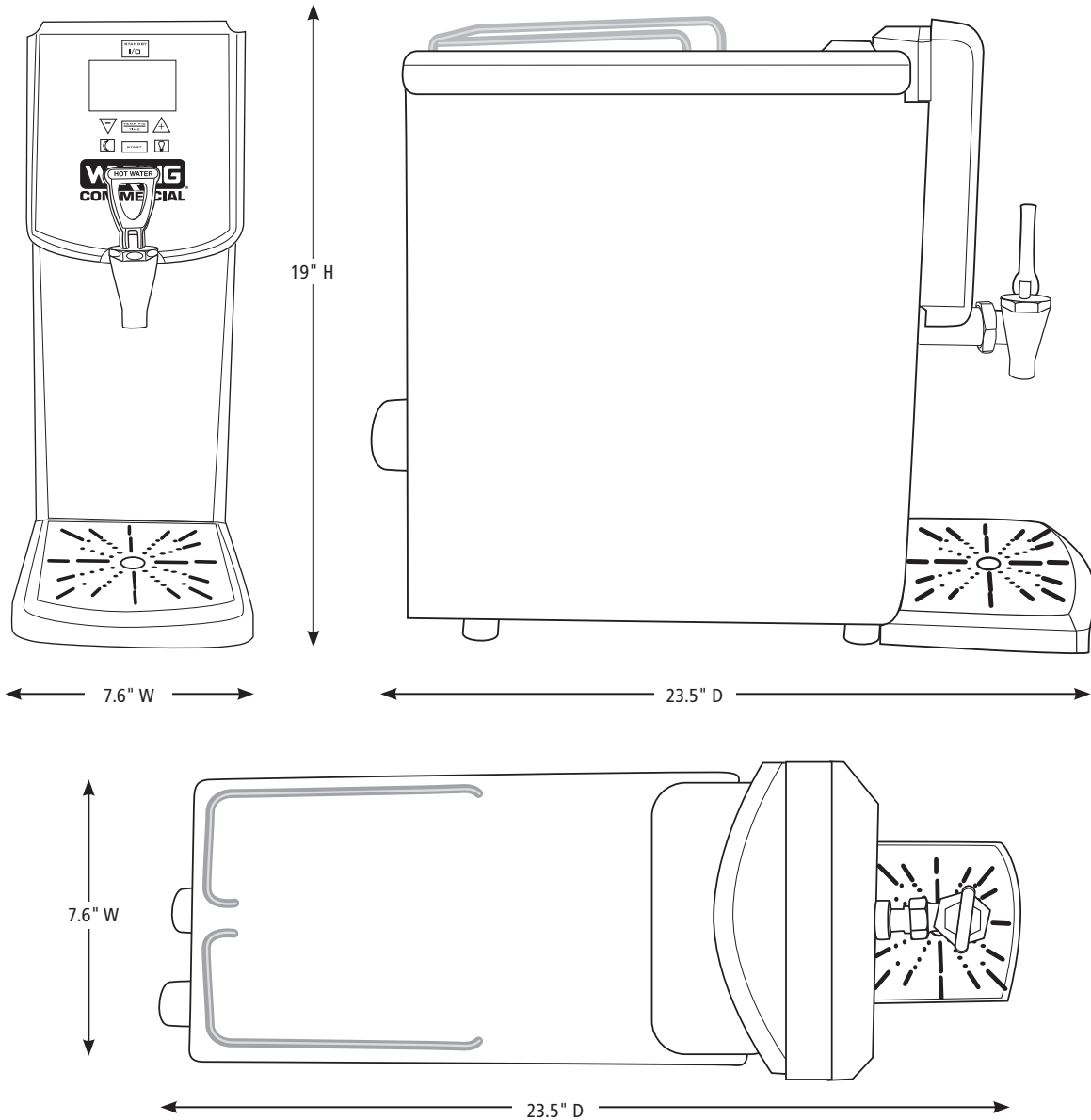
©2019 Waring Commercial
314 Ella T. Grasso Avenue, Torrington, CT 06790
Tel. 800-492-7464 • Fax 860-496-9008

waringcommercialproducts.com

WWB3G



DIMENSIONS



Out of Box Weight: 23.1 lb.

ORDERING INFORMATION	#STD. PKG.	GIFTBOX WEIGHT	CUBIC FEET	BOX DIMENSIONS D X W X H	UPC	CASE PKG.	MC WEIGHT	MC DIMENSIONS D X W X H	MBC
WWB3G – 3-Gallon Hot Water Dispenser	1	23.2 lb.	2.645	21.77" x 9.68" x 21.69"	040072088209	2	54 lb.	22.6" x 20.1" x 29.4"	10040072088206



@waringcommercial

©2019 Waring Commercial
314 Ella T. Grasso Avenue, Torrington, CT 06790
Tel. 800-492-7464 • Fax 860-496-9008

waringcommercialproducts.com

19WC063573 / REV 09/19