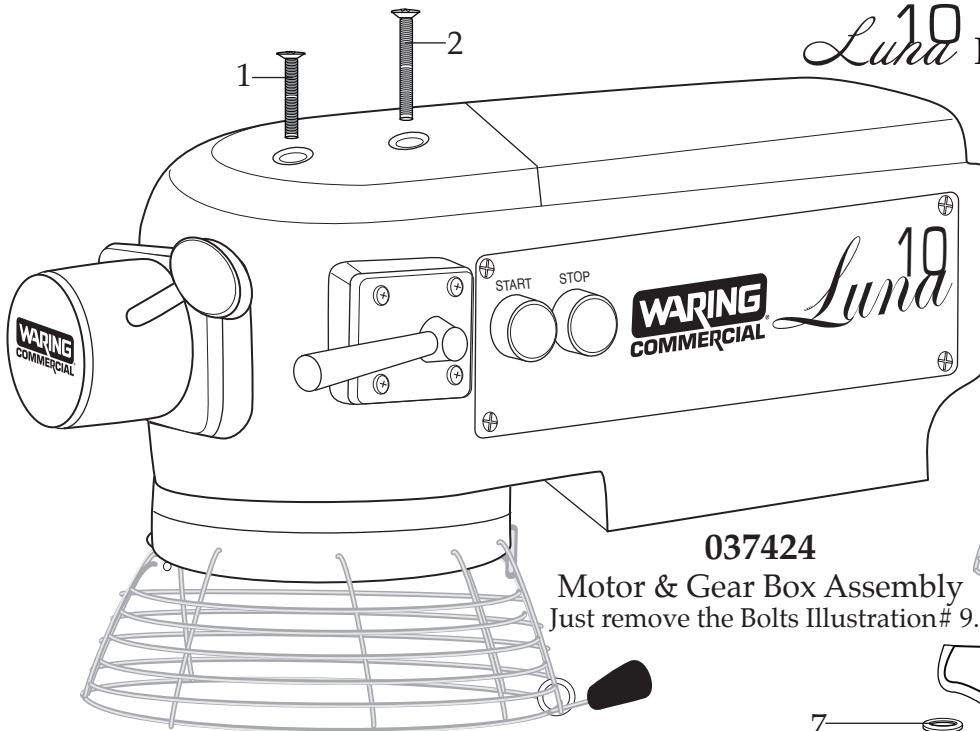
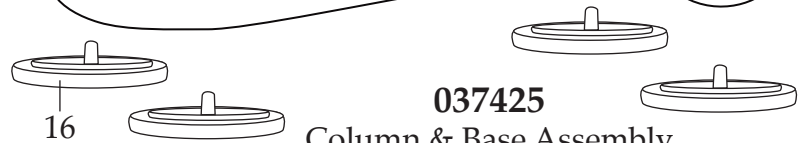
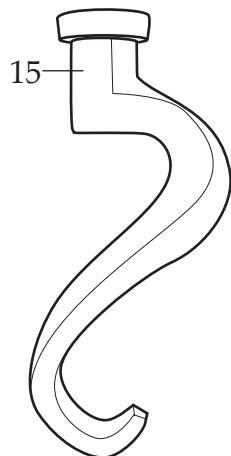
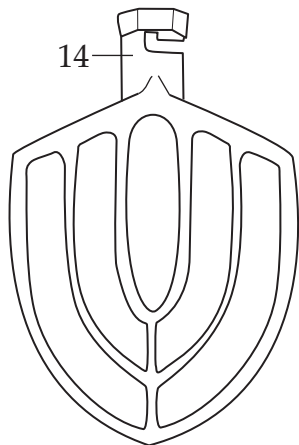
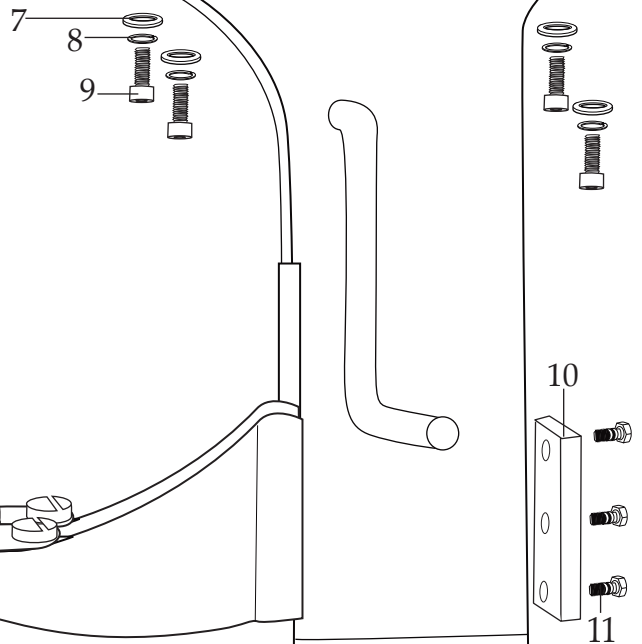
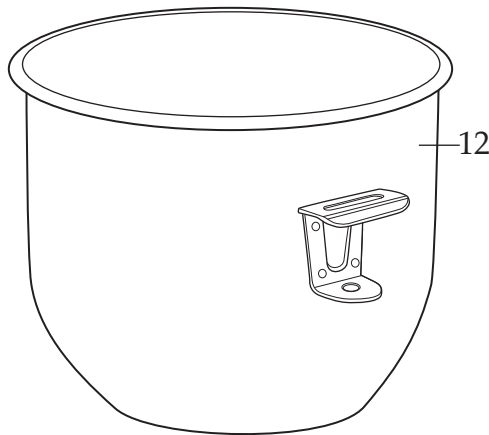
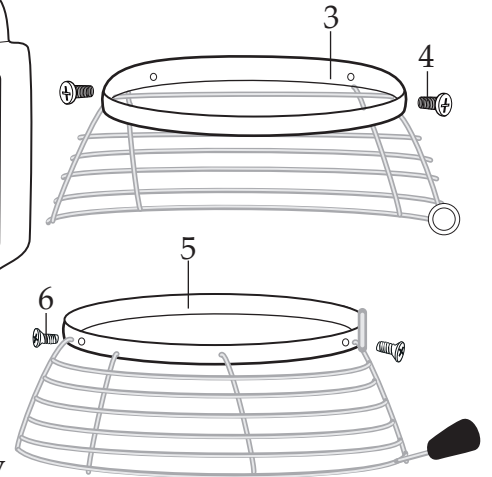


Luna¹⁰ Planetary Stand Mixer 10 Qt. WSM10L



037424

Motor & Gear Box Assembly
Just remove the Bolts Illustration# 9.

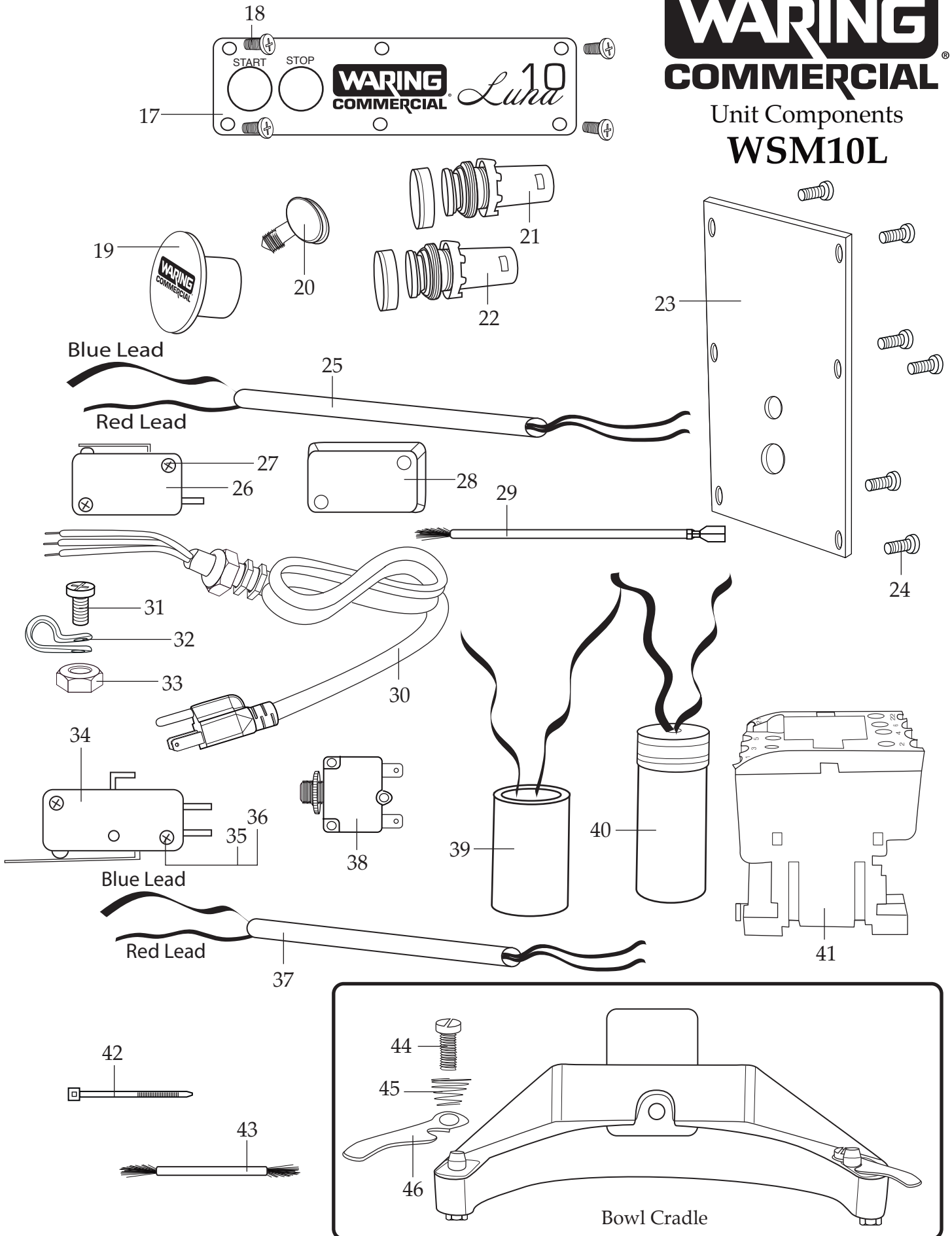


037425

Column & Base Assembly
Everything after Motor & Gear Box is removed.

WARING COMMERCIAL

Unit Components WSM10L



Illustration#	Part#	Description
1	037379	Screw / top front plate
2	037380	Screw / top front plate
3	037381	Top Bowl Guard
4	037382	Top Bowl Guard Screw (2 required)
5	037383	Bottom Bowl Guard
6	037384	Bittin / Bowl Guard Screw (2 required)
7	037390	Washer (4 required)
8	037389	Spring Washer (4 required)
9	037388	Bolt (4 required)
10	037392	Cradle Plate (2 required one for each side)
11	037391	Hex Head Bolt with Spring Wsher & Washer (6 required)
12	037397	10 Quart Bowl
13	037396	Whisk (WSM10LW)
14	037395	Mixing Paddle (WSM10LMP)
15	037394	Dough Hook (WSM10LDH)
16	037393	Foot (4 required)
17	037398	Name Plate
18	037411	Screw (4 required)
19	037401	Attachment Hub Cover
20	037402	Attachment Hub Screw
21	037399	Start Switch (green)
22	037400	Stop Switch (red)
23	037403	Silver Back Plate
24	037412	Screw (6 required)
25	037420	Guard Interlock Leads
26	037417	Guard Interlock
27	037419	Screw (2 required)
28	037418	Guard Interlock Spacer
29	037409	6.25" Black Lead
30	037405	Cord
31	037407	Screw

Illustration#	Part#	Description
32	037406	Cord Clamp
33	037408	Hex Nut
34	037413	Cradle Interlock
35	037416	Washer (2 required)
36	037415	Screw (2 required)
37	037414	Cradle Interlock Leads
38	037404	Reset Switch
39	037422	Run Capacitor with Leads
40	037423	Start Capacitor with Leads
41	037421	Relay
42	013731	Wire Ties (5 required)
43	037410	2.75" Black Lead
44	037387	Screw (2 required one for each side)
45	037386	Spring (2 required one for each side)
46	037385	Bowl Bracket (2 required one for each side)