



WCS220SV

8.5" Professional Food Slicer



MAIN FEATURES

- ¾ HP* commercially rated motor
- 8.5" blade crafted in Italy of tempered, hard chrome for long-lasting sharpness
- Cast aluminum base and carriage ensures sturdy slicing
- High-efficiency, ventilated induction motor prevents overheating and runs quietly
- Belt-driven, with fixed blade for slicing ease and precision
- Easily adjustable slicing thickness from 0"–.59" (0–14.9mm)
- Made in Italy
- Limited One Year Warranty

*Peak Input

ELECTRICAL

Voltage: 120

Frequency: 60 Hz

Amps: 1.1

Plug Type: NEMA 5-15P 

Cord Length: 4 feet



SALES FEATURES

A commercially rated ¾ Peak HP* motor is the power behind Waring's WCS220SV medium duty food slicer. Made in Italy, with an 8.5" tempered hard chrome blade that retains its sharp cutting edge and adjusts thickness from 0 to .59 in. to perform a wide range of slicing tasks. The sturdy base and tilt-out carriage design with removable blade make operation and cleanup exceptionally easy.



@waringcommercial

©2019 Waring Commercial
314 Ella T. Grasso Avenue, Torrington, CT 06790
Tel. 800-492-7464 • Fax 860-496-9008

waringcommercialproducts.com

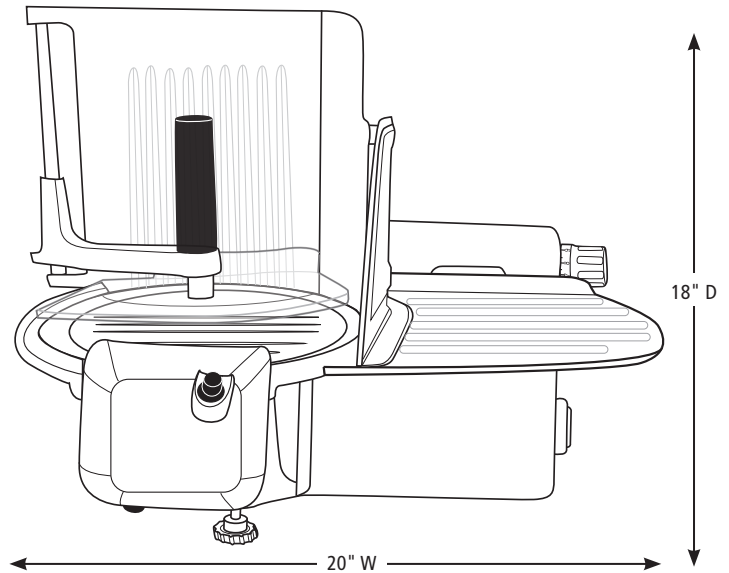
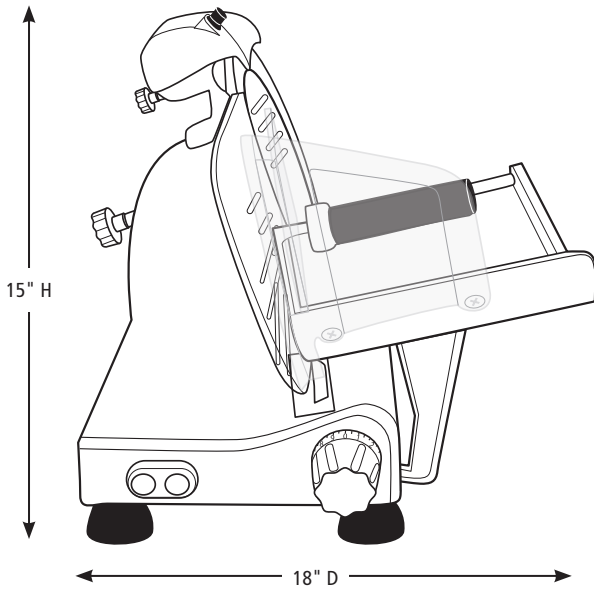
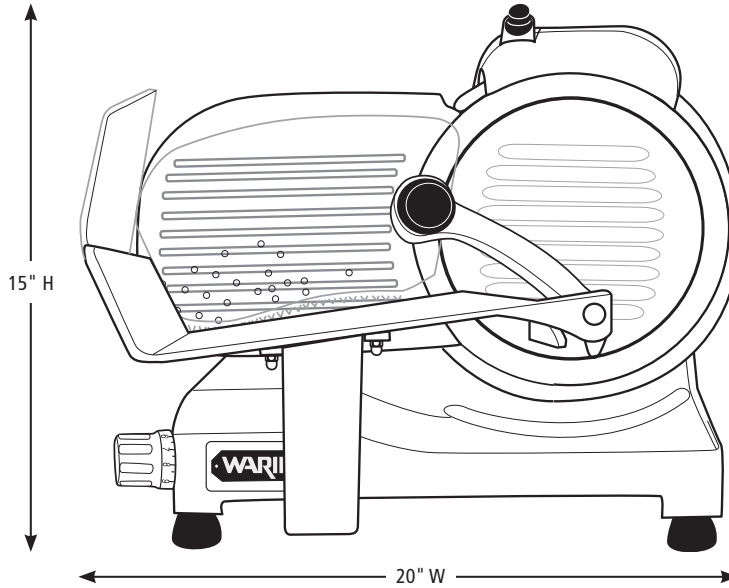
8.5" Professional Food Slicer

WCS220SV



8.5" Professional Food Slicer WCS220SV

DIMENSIONS



Out of Box Weight: 37.05 lb.

| ORDERING INFORMATION | #STD. PKG. | GIFTBOX WEIGHT | CUBIC FEET | BOX DIMENSIONS D X W X H | UPC | CASE PKG. | MC WEIGHT | MC DIMENSIONS D X W X H | MBC |
|--|------------|----------------|------------|-----------------------------|--------------|-----------|-----------|----------------------------|----------------|
| WCS220SV – 8.5" Professional Food Slicer | 1 | 30.8 | 3.7 | 21.375" x 18.625" x 15.875" | 086279144362 | 1 | 38.8 | 21.875" x 19.375" x 16.25" | 10086279144369 |



@waringcommercial

©2019 Waring Commercial
314 Ella T. Grasso Avenue, Torrington, CT 06790
Tel. 800-492-7464 • Fax 860-496-9008

waringcommercialproducts.com

19WC059743 / REV 09/19