



VC5E SERIES

Single Deck Electric Convection Oven



Model VC5ED

Shown with legs and optional casters



SPECIFIER STATEMENT

Single section, electric convection oven, Vulcan Model No. (VC5ED). Stainless steel front, sides and top. Painted legs. Independently operated removable stainless doors with double pane windows. Non-sag insulation applied to top, rear, sides, bottom. Porcelain enamel on steel oven interior measures 29" w x 22 7/8" d x 20" h. Two interior oven lights. Five nickel plated oven racks measure 28 3/4" x 20 1/2". Eleven position nickel plated rack guides with positive rack stops. Heated by electric solid sheath elements rated at 12.0 KW. Furnished with a two speed 1/2 H.P. oven blower motor. Oven cool switch for rapid cool down. 208/240V 60Hz 1 or 3 phase.

Exterior Dimensions:

40 1/4" w x 40" d (includes motor & door handles)

37 3/4" d (includes motor only)

54 3/4" h on 23 3/4" legs with feet.

23 3/4" legs can adjust an additional 1" in length. Legs with casters are adjustable from 28" to 29 1/8" in length.

Project _____

AIA # _____ SIS # _____

Item # _____ Quantity _____ C.S.I. Section 114000

MODEL

- VC5ED** Solid state temperature dial controls adjust from 150° to 500°F with digital display enhancement. 5-hour timer with audible alarm.

STANDARD FEATURES

- Independently operated removable stainless steel doors with double pane windows
- Gentle Bake mode selector switch
- On-board diagnostics for easy servicing
- Five nickel plated grab-and-go oven racks with eleven rack positions
- Stainless steel front, sides and top
- Painted legs
- 12.5 total KW
- 1/2 H.P. two speed oven blower-motor
- Moisture vent
- Oven cool switch for rapid cool down
- Porcelain enamel on steel oven interior
- One year limited parts and labor warranty
- Three year limited warranty on doors

OPTIONS

- Stainless steel legs
- Casters
- 480V/60 Hz/1 or 3 phase
- Second year extended limited parts and labor warranty

ACCESSORIES (PACKAGED AND SOLD SEPARATELY)

- Stainless steel rear motor enclosure
- Extra oven rack(s)
- Rack hanger(s)
- Stainless steel drip pan
- Stainless steel open stand with adjustable rack supports, stainless steel shelf and choice of adjustable feet or casters
- Down draft flue diverter for direct vent connection
- Heat shields for oven sides

VC5E SERIES – Single Deck Electric Convection Oven

Approved by _____ Date _____ Approved by _____ Date _____

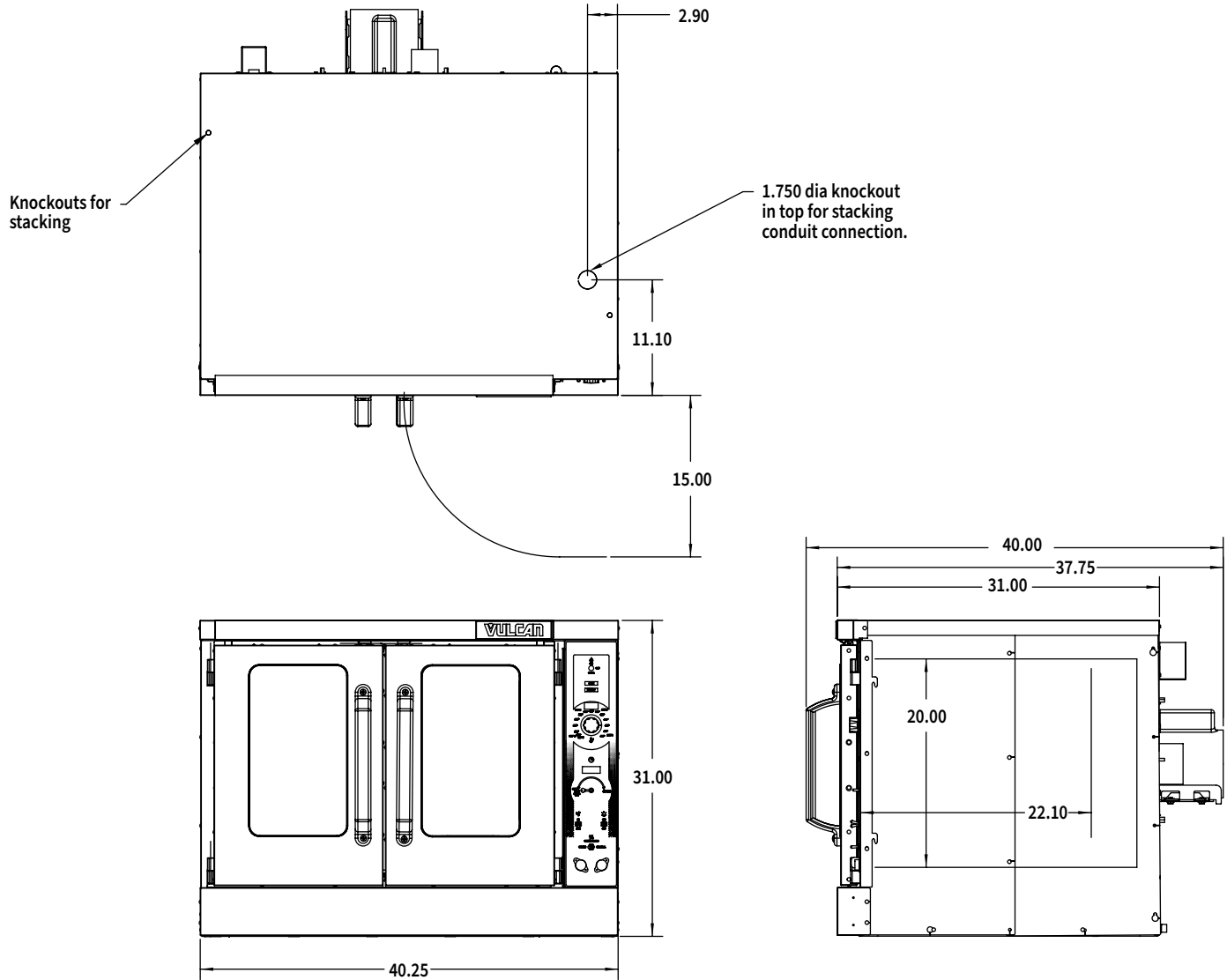
OPTIONAL VOLTAGES

☐ 480 volt, 60 Hz, 3 phase

CLEARANCES

	Combustible	Non-Combustible
Rear	2"	2"
Right Side	4"	4"
Left Side	1"	1"

INSTALLATION MANUAL



CAD and/or Revit Files Available

Model	Total Conn. KW	3 Phase Load KW per Phase			Nominal Amps per Line Wire									Weight					
					3 Phase									1 Phase		With Skid & Packaging		Without Skid & Packaging	
					208 Volt			240 Volt			480 Volt								
					X	Y	Z	X	Y	Z	X	Y	Z	208V	240V	Lbs.	KG	Lbs.	KG
VC5E	12.5	4	4	4.5	35	33	35	33	29	33	14	15	15	60	52	440	200	389	176

As continued product improvement is a policy of Vulcan, specifications are subject to change without notice.