



Project: _____
 Location: _____
 Item #: _____
 Quantity: _____

Undercounter Salad/Sandwich Top Refrigerators

Two Section Model with Doors **UR-48-8**
 Stainless steel exterior with one piece ABS **UR-48-10**
 interior. **UR-48-12**



Standard Features:

- Food Pans are Recessed into a 2" Top which is Insulated With Foamed-in-place Polyurethane Insulation Creating an Insulated "Air Dam" which Surrounds the Pans, and Promotes Temperature Maintenance
- The "Aero-Max" Air Distribution System Moves Cold Air Through A Plenum Chamber Directly to the Food Pans Enveloping Each Pan in Refrigerated Air
- Positive Pressure and Unique "Air Jacket" Technology Allow Cold Air to Gently Migrate Around and Over Each Pan Forming a Barrier of Cold Air Above the Food Pans
- Keeps Food at Safe Temperatures while Preventing Food from Drying
- Meets NSF 7 41°F Requirements
- Available in 8, 10 or 12 Pan Configurations
- One Sixth Size (4" Deep) Pans Supplied with Unit
- Heavy Gauge, All Stainless Steel Exterior Construction
- Durable High Impact ABS Interior Provides Exceptional Durability
- Easy to Clean Molded Interior with Coved Corners
- Heavy-Duty, Epoxy Coated Steel Shelves
- High Density, Foamed-in-place Polyurethane Insulation Assures Temperature Maintenance
- Interior Thermometer Consistently Monitors Temperature
- Coated Evaporator Coil Resists Corrosion
- Energy Efficient, Balanced Refrigeration System
- Stainless Steel Coil Housing Protects Critical Components
- Electrical Cord and Plug Attached for Easy Installation
- Plugs into Standard 110 V Outlets
- No Drains Required (Automatically Vaporizes Condensate)
- Stainless Steel Telescoping Lid with Utility Shelf for Storage
- Lid is Easily Removed For Cleaning
- Oversized 10" Cutting Board Provides a Large Work Surface
- Finished All Stainless Steel Top for Durability
- Reversible Cutting Board for Extra Life
- Swivel Casters Provide Mobility
- Energy Efficient ABS Thermal Breaker Strips Surrounds Each Door
- Environmentally Friendly R-134a Refrigerant
- Finished/Enclosed Back Panel

Approvals:		Victory Refrigeration specification sheets are available online at www.victory-refrig.com .
------------	--	---

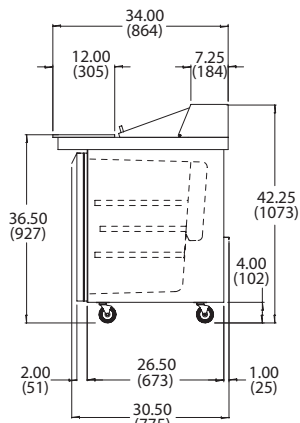
CHARACTERISTICS	UR-48-8, -10, -12 TWO SECTION
Width, Overall	48
Depth, Overall	34
Height, Overall	42 1/4
Depth, Door Open 90°	52 1/8
Clear Door Width	23 7/8
Clear Door Height	25 3/4
Capacity Net (cubic feet)	12.5
No. of Full Doors	2
No. of Shelves	4
Shelf Area (square feet)	10.2
Cabinet Voltage	115/60/1
Feed Wires	2
Condensing Unit Voltage	115/60/1
Condensing Unit Size (HP)	1/5
Total Amperes	6.7

Crated dim. & wts.	Ht.	Width	Depth	Cu. Ft.	Lbs.
UR-48-8, -10, -12	43	52 1/2	37	50.1	250

PAN INFORMATION

Model	Size	No of Pans	Dimensions	Capacity	Top Opening Dimensions
UR-48-8	1/6	8	6 7/8 X 6 5/16 X 4	2 Qts @	11 1/8 X 26 3/4
UR-48-10	1/6	10	6 7/8 X 6 5/16 X 4	2 Qts @	11 1/8 X 33 3/4
UR-48-12	1/6	12	6 7/8 X 6 5/16 X 4	2 Qts @	11 1/8 X 41 1/2

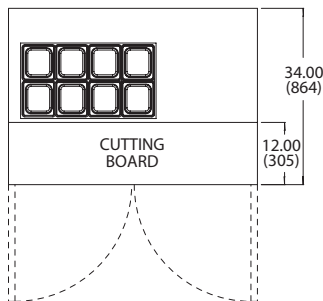
Dimensional tolerance ± 1/4" Metric dimensions (MM)



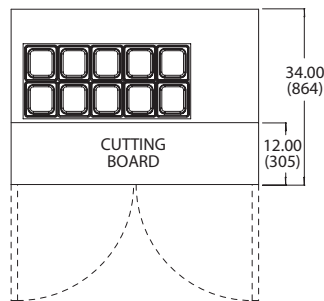
UR-48-8,10,12 SIDE VIEW

NOTE: If cabinet is located directly against wall an all around clearance of 2" is required.

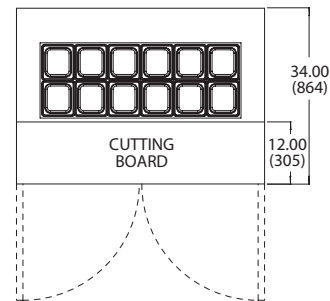
We reserve the right to change specifications and product design without notice. Such revisions do not entitle the buyer to corresponding changes, improvements, additions or replacements for previously purchased equipment.



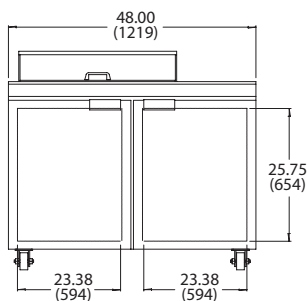
UR-48-8 TOP VIEW



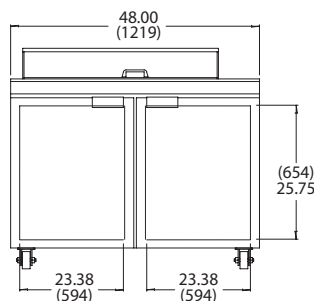
UR-48-10 TOP VIEW



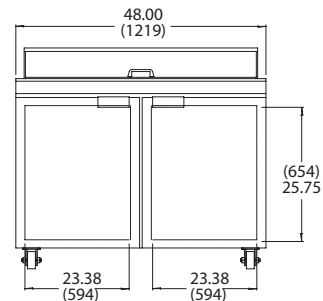
UR-48-12 TOP VIEW



UR-48-8 FRONT VIEW



UR-48-10 FRONT VIEW



UR-48-12 FRONT VIEW

Continuous product development may necessitate specification changes and design without notice.



Victory participates in the KCL CADalog, the most current source of CAD symbols for foodservice designers worldwide. Symbols include standard equipment in plan, side, front and 3-D views, layered for FEDA/FCSI recommended guidelines.