

MOUNTING INSTRUCTIONS

Choose a window near which the thermometer is to be installed, and where the bulb will be shielded from the sun's rays. (North side of building is preferable for true air temperature readings.)

The tubing which connects the bulb to the outdoor scale is liquid filled. Do not cut, disconnect or sharply bend in a manner which may restrict the flow of liquid. Make certain location chosen will permit ample tubing to run along the window casing and over the frame as illustrated (Fig. 1). For maximum accuracy, exactly 12" (30.5cm) of tubing should be exposed to the outside temperature.

Form tubing over window casing as illustrated in Fig. 1, avoiding sharp bending. Select either an upper or lower corner. Closing of the window must not crush the tubing; if sufficient clearance does not exist, a small notch or groove should be made with saw or file to provide for this. The same provision for clearance should be made in storm sash of either permanent or removable type.

Using small screws, fasten the outside bulb bracket and insert bulb.

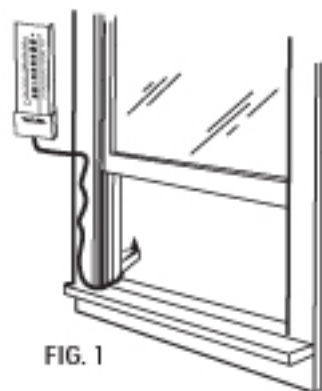


FIG. 1



FIG. 2 REJOINING SEPARATED FLUID

SEPARATED LIQUID

Under normal shipping conditions, the Permacolor[®] liquid in this thermometer may become separated. When this occurs, the thermometer will not read accurately. Should one of the tubes read substantially lower than the other, it may be due to the fact that the liquid has become separated, and is at the extreme top of the tube. Such separation does not represent defect or damage.

The column may be reunited as follows:

1. Hold thermometer as shown in Fig. 2, supporting the coil of tubing.
2. Tap edge of thermometer lightly against palm of other hand.
3. Continue to tap lightly until column is reunited.