

Project _____
 Item # _____
 Quantity _____

LoPROTM



Item #	Application	# of Heating Zones	Peak Power
SM-300LP	Holding	1	300 W
SM-1800LP	Cooking or Holding	1	1800 W
SM-1800LP-D	Cooking or Holding	2	900 W x 2

Description:

Spring USA's LoPRO induction ranges are portable, product cooking or holding ranges intended for countertop use. Each range features a durable, all-black housing with touch controls on the glass surface.

Construction & Performance Features:

- Sleek, low-profile housing less than 2.4" high
- Rugged, 5 mm thick, easy to clean, tempered glass top
- Non-skid, non-scratch footing
- 7' power cord with plug
- Simple, solid state controls
- Touch controls with indicator lights
- Lock pushbutton

Cooking/Holding Ranges:

- Two (2) functions - 'Cook' or 'Temp' mode
- Power level 1-20 in 'Cook' mode
- Temperature range 110°F-400°F in 'Temp' mode
- LED temperature/power level display

Holding Ranges:

- Four-Position Set-Hold Temperature Control
- Lighted temperature indicator
- Temperature range:

Low	Low-Med	Med-High	High
145-155°F	156-165°F	166-175°F	176-185°F
62-68°C	69-73°C	74-79°C	80-85°C

Standard Warranty:

Spring USA induction ranges offer a one-year, overnight exchange warranty (continental US only), from the date of invoice, against manufacturers defects. See SpringUSA.com for more details.

Agency Listings:

- ETL
- UL STD 197
- FCC
- CETL
- NSF-4



LoPRO

Available Accessories/Alternate Configurations:

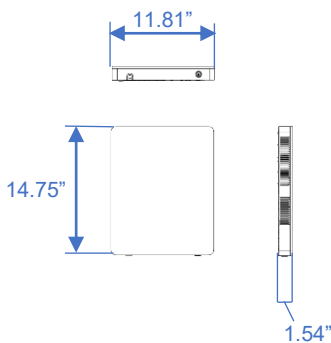
- Induction-ready cookware & serving vessels [Spring USA Catalog]
- Built-in, high power induction ranges
- Custom tabletop induction featuring SmartStone®
- Mobile & custom configurations [Contact Spring USA]
- Cooking utensils [Spring USA Catalog]

Electrical Requirements:

Item #	Volts	Phase	Hertz	Watts	Amps	Plug
SM-300LP	110-120	1	60	300	2.5	NEMA 5-15P
SM-1800LP				1800	15	
SM-1800LP-D				900 x 2	7.5 x 2	

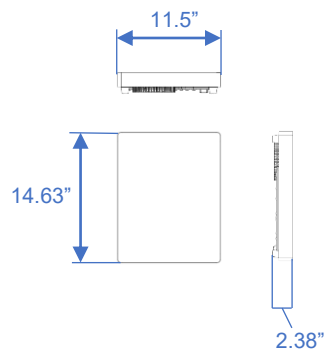
Key Dimensions:

Item #SM-300LP



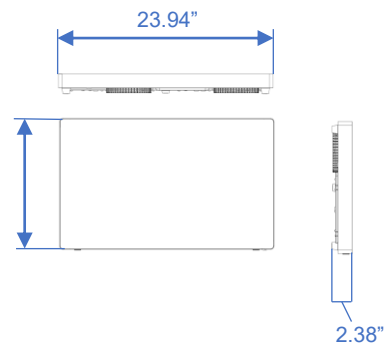
Net Weight: 6.8 lb.

Item #SM-1800LP



Net Weight: 9.6 lb.

Item #SM-1800LP-D



Net Weight: 19.5 lb.



Project _____

Item # _____

Quantity _____

LoPRO

Single Unit Carton				
Item #	Length	Width	Height	Weight
SM-300LP	19.75"	14.38"	4.0"	8.4 lb.
SM-1800LP	19.75"	14.38"	4.0"	11.2 lb.
SM-1800LP-D	26.25"	19.75"	4.0"	22.3 lb.

Notes & Conditions:

1. For optimum performance, allow 1.18" (3 cm) clearance from all sides for air circulation. **Proper ventilation must be provided at all times.**
2. Actual range temperature may vary due to a number of variables, such as ambient temperature in the immediate surrounding area, content and volume of food being heated or cooked, and whether or not you are using a cover on the serving vessel.
3. This induction range requires use of ferrous metal, induction-ready cookware.
4. Spring USA Induction Servers and Induction Warmers/Ranges are designed to work together as a system. Optimal performance is achieved by using Spring USA components in conjunction with each other. As the first to offer such induction systems, Spring USA cannot warranty the performance of facsimile products offered by other companies.