



FOOD WARMERS: FOOD SERVERS SINGLE WELL

Model FS-4+, FS-7 & FS-11



FS-4+ 81000



FS-11 84100

BID DESCRIPTION

The round series of water bath warmer/cookers is constructed of stainless steel with a polished finish. Inset and lid assemblies are included. The lid stays upright during ladling and features a rim that collects moisture and returns it to the food.

An adjustable precalibrated thermostat controls the heating element. Temperature settings marked on thermostat knob —range from 100° F (38° C) to 200° F (93° C) on FS-4+. FS-7 and FS-11 range from 60° F (16° C) to 200° F (93° C).

FS-4+ has a 5 quart (4.7 L) capacity with 500 watts. Power is controlled with an ON/OFF rocker switch.

FS-7 has a 7 quart (6.6 L) capacity with 1000 watts. FS-11 has an 11 quart (10.4) capacity with 1500 watts. Power is controlled with a positive ON/OFF thermostat for both the FS-7 and FS-11.

STANDARD FEATURES

- NSF-certified as a rethermalization unit
- Water fill line eliminates overflow accidents
- Adjustable thermostat for accurate heat control
- Inside lid rim returns moisture to the food to retain flavor
- Hinged lid stays upright during ladling for easy use
- Handle on FS-7 & FS-11 assists in opening larger lids ergonomically—no more reaching over hot zone

ACCESSORY ITEMS

- 5 qt (4.7 L) Inset & Lid Assembly 81111
- 7 qt (6.6 L) Inset & Lid Assembly 84040
- 11 qt (10.4 L) Inset & Lid Assembly 84149
- 2 oz (59 mL) Ladle 82660
- 4 oz (118 mL) Ladle 82574
- 6 oz (177 mL) Ladle 82661
- 8 oz (237 mL) Ladle 82662



ALSO AVAILABLE FOR EXPORT

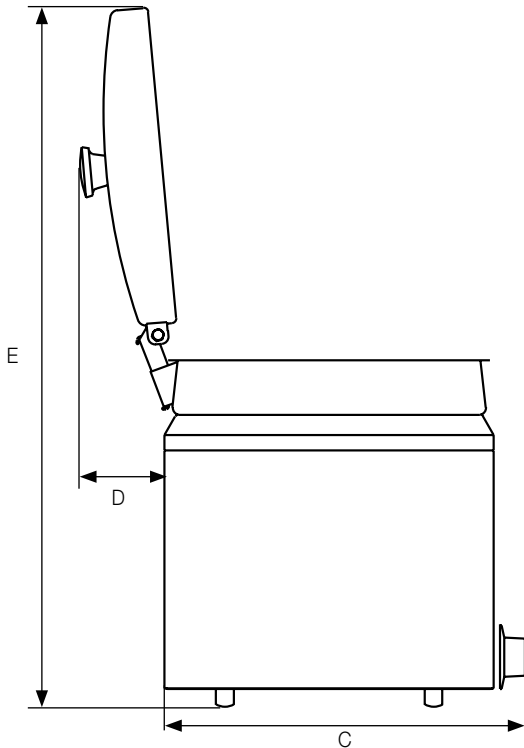
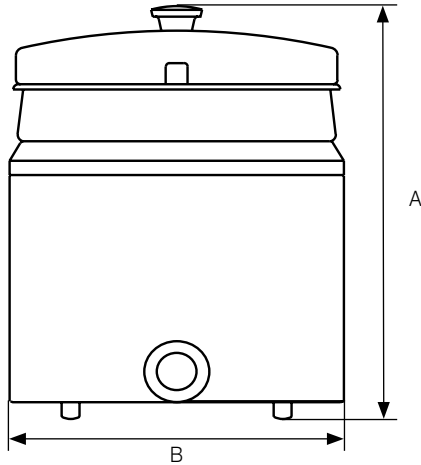
TWO YEAR WARRANTY




Server Products equipment is backed by a two-year limited warranty against defects in materials and workmanship. For a copy of our complete warranty statement, please refer to server-products.com.

FOOD WARMERS: FOOD SERVERS SINGLE WELL


Model FS-4+, FS-7 & FS-11

FOOD SERVER/COOKER SERIES



MODELS	FS-4+ 81000 	FS-7 84000 	FS-11 84100 
Capacity	5 qt 4.7 L	7 qt 6.6 L	11 qt 10.4 L
A-Height	14 ⁷ / ₈ " 37.8 cm	14 ³ / ₁₆ " 36 cm	14 ¹ / ₄ " 36.1 cm
B-Width	7 ³ / ₄ " 19.7 cm	9 ⁹ / ₁₆ " 24.3 cm	11 ⁹ / ₁₆ " 29.4 cm
C-Depth	8 ¹ / ₂ " 21.6 cm	11" 27.9 cm	13" 33 cm
D-Depth	2 ¹ / ₂ " 6.4 cm	2 ³ / ₁₆ " 5.6 cm	2 ³ / ₁₆ " 5.6 cm
E-Height	20 ⁷ / ₈ " 53 cm	22 ⁹ / ₁₆ " 57.3 cm	24 ⁹ / ₁₆ " 62.4 cm
Electrical	500 W 4.1 A	1000 W 8.3 A	1500 W 12.5 A
Electrical	120V, 60Hz, 72" (183 cm) cord set NEMA 5-15P, 15A, 125V PLUG		
Weight	9 lb 4.1 kg	13 lb 5.9 kg	16 lb 7.3 kg

FOB RICHFIELD, WISCONSIN 53076

NSF LISTED AS A RETHERMALIZATION UNIT TO ENSURE FOOD IS QUICKLY HEATED TO A SAFE TEMPERATURE BEFORE BACTERIA HAS AN OPPORTUNITY TO GROW. 

CAD LIBRARY

Individual CAD images can be downloaded from our website. We are also a member of The KCL CADalog with more than 100 other manufacturers. Our complete collection of CAD files can be purchased through Kochman Consultants, Ltd. at kclcad.com.