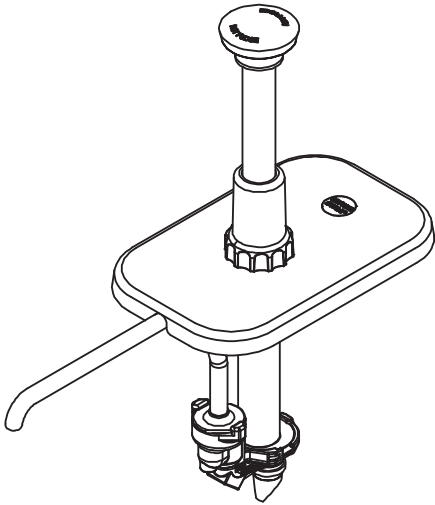


## 83118

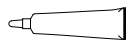
### Fountain Pump EZT, Hot Fudge



Complete View for Reference

PART	QTY	DESCRIPTION
82023-705	1	KNOB, 705, HOT FUDGE
83412	1	LOCKING COLLAR
82078	1	HEAD TUBE
83529	1	GAGING COLLAR, .125 OZ REDUCTION
82022	3	GAGING COLLAR, .25 OZ REDUCTION
82017	1	HEAD TUBE
82018	1	HEAD INSERT
82016	1	SPRING, 7"
82015	1	WASHER
82013	1	PISTON
83003	1	SEAL ASSEMBLY
83093	1	LID, EZT HOT FUDGE
82362	1	CYLINDER ASSEMBLY
88554	1	SILICONE GASKET
82431	1	BODY VALVE ASSEMBLY (INCLUDES #06022 BALLS)
85827	1	DISCHARGE ASSEMBLY TUBE
05127	1	O-RING, 1"
40179	1	FOOD EQUIPMENT LUBRICANT
82049	1	BRUSH, 11"
82526	1	BRUSH, 21"

40179



82049



82526

