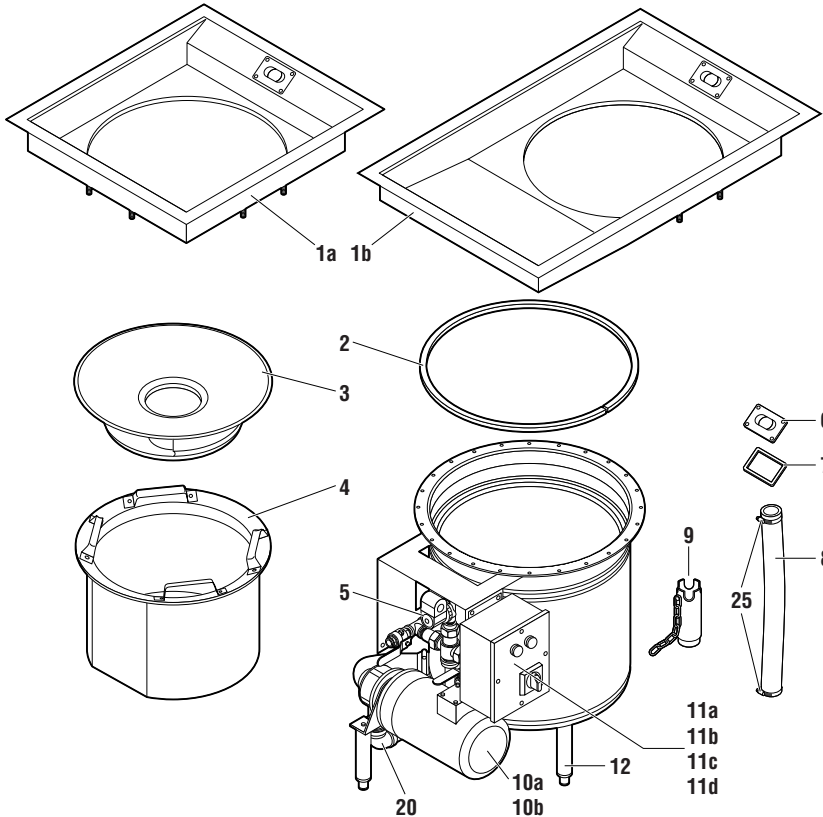


# Salvajor Scrap Collector and Pot/Pan collector

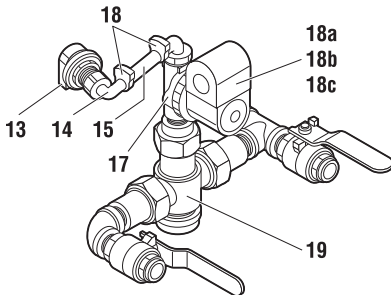
PARTS BREAKDOWN for Models S914 and P914

For Serial Numbers starting at 26000 for Model P914 & 27000 for Model S914

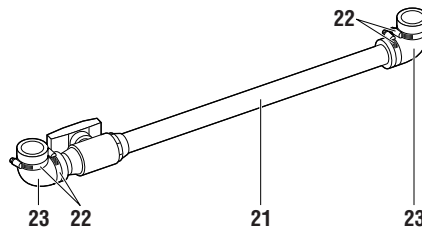
## Model S914 & P914 System Components



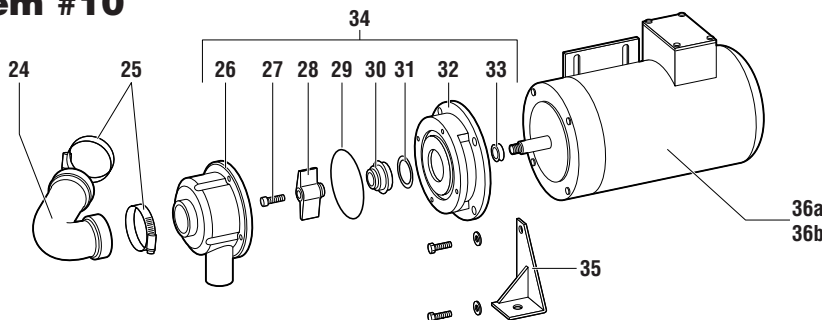
### Item #5



### Item #20



### Item #10



## ITEM PART NO. DESCRIPTION

ITEM	PART NO.	DESCRIPTION
1A	980167	S914 TOP ASSEMBLY
1B	980168	P914 TOP ASSEMBLY
2	996058	TOP GASKET
3	992011	SALVAGE BASIN
4	992013	SCRAP BASKET
5	980158	WATER HARNESS ASSY
6	980146	GUSHER PLATE
7	996057	GUSHER PLATE GASKET
8	986055	RECIRCULATION HOSE
9	988006	OVERFLOW PIPE ASSEMBLY
10A	980076	PUMP AND MOTOR ASSEMBLY 1PH
10B	980077	PUMP AND MOTOR ASSEMBLY 3PH
11A	MSSLD4	CONTROL PANEL 115V 1PH
11B	MSSLD5	CONTROL PANEL 208-230V 1PH
11C	MSSLD7	CONTROL PANEL 208-230V 3PH
11D	MSSLD9	CONTROL PANEL 460V 3PH
12	914LESS	STAINLESS STEEL LEG
13	2906	FIXED NOZZLE
14	998113	3/8" NYLON ELBOW
15	998022	3/8" BRAIDED TUBING
16	997001	HOSE CLAMP, PLASTIC
17	GP4007	SOLENOID VALVE REPAIR KIT
18A	GP234115	SOLENOID COIL 115V
18B	GP234208	SOLENOID COIL 208-230V
18C	GP234460	SOLENOID COIL 460V
19	998110	WATER HARNESS BLENDER ASSY
20	980164	PUMP VALVE ASSY
21	988027	VALVE ASSEMBLY
22	S24	HOSE CLAMP(sold separately)
23	S914PDE	RUBBER ELBOW 3/4" X 1"
24	996034	ELBOW 125 DEGREE RUBBER (sold separately)
25	M32	HOSE CLAMP (sold separately)
26	988010	PUMP HOUSING (sold with #34)
27	997089	CAP SCREW (not used on 1-phase)
28	996027	IMPELLER (sold with #34)
29	996028	O-RING (sold with #34)
30	ECK511	SEAL KIT (sold with #34)
31	996047	GASKET (sold with #34)
32	988009	PUMP BASE (sold with #34)
33	996030	V-RING (sold with #34)
34	980074	PUMP ASSEMBLY (includes 26-33)
35	980157	LEG BRACKET (sold separately)
36A	991060	PUMP MOTOR 1PH
36B	991061	PUMP MOTOR 3PH



### The Salvajor Company

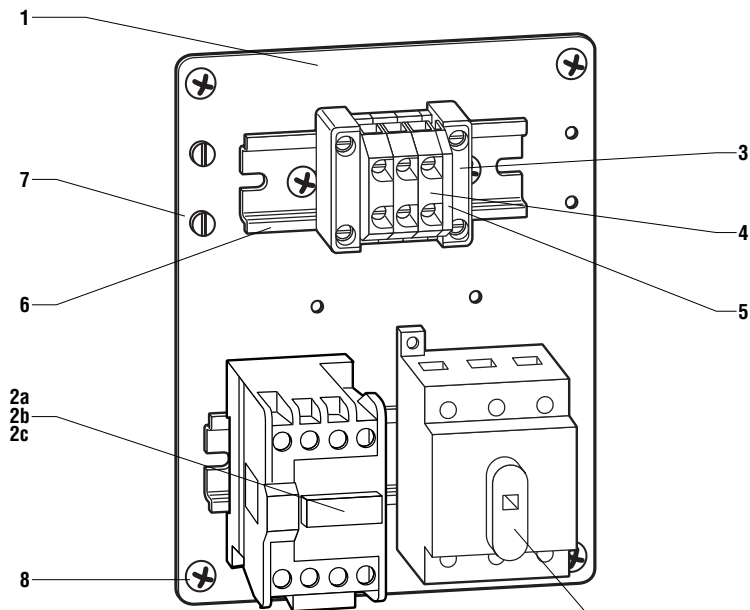
4530 East 75th Terrace  
Kansas City, MO 64132-2081 USA

1-888-SALVAJOR FAX 1-800-832-9373

# Salvajor Model MSS-LD

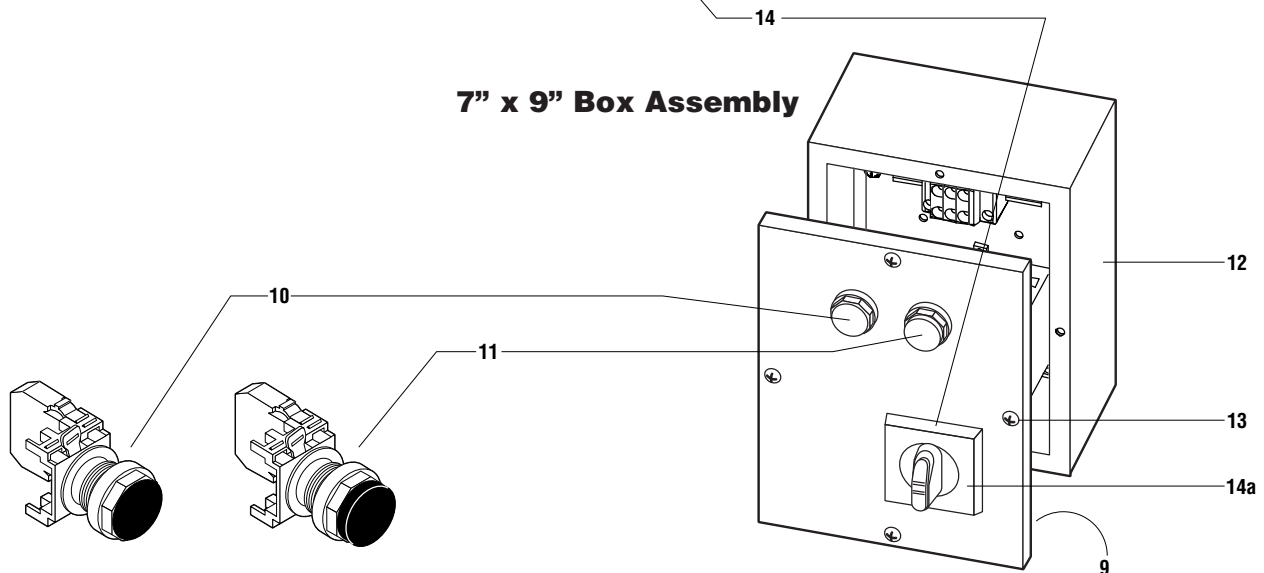
Manual Start/Stop with Line Disconnect

PRE-WIRED CONTROL PANEL PARTS BREAKDOWN



MSS-LD Item Numbers		
VOLTAGE	PHASE	ITEM NO.
115	1	MSSLD4
208 or 230	1	MSSLD5
208 or 230	3	MSSLD7
460	3	MSSLD9

ITEM	PART NO.	DESCRIPTION
1	79IP	Inner Panel MSS
2a	994006	Contactora 115V
2b	994007	Contactora 208-230V
2c	994008	Contactora 460V
3	994294	End Clamp
4	994292	Terminal Block
5	994293	End Barrier
6	994005	Din Rail Mounting Track
7	SCR1032	Ground Screw 10-32
8	997093	Screw 10-32 X 3/8"
9	79GA	Lid Gasket Assembly
10	ABD100B	Button Start
11	ABD200A	Button Stop
12	79BA	7" X 9" Box Assembly
13	997032	Screw 10-32 X 5/8"
14	980138	Line Disconnect Assembly
14a	994263	Line Disconnect Handle



**The Salvajor Company**

4530 East 75th Terrace  
Kansas City, MO 64132-2081 USA

1-888-SALVAJOR FAX 1-800-832-9373

Printed in USA  
Form No. SC-PC/COL-8-A-SJ