



SBC635M



49" x 23.63" x 25" (H x W x D)

Freestanding residential beer dispenser, auto defrost with digital thermostat and black exterior finish

Highlights:

Full-sized capacity to hold half, quarter, 1/6 or mini kegs

Includes everything you need to pour the perfect draft

Digital thermostat lets you set the perfect temperature for any brew

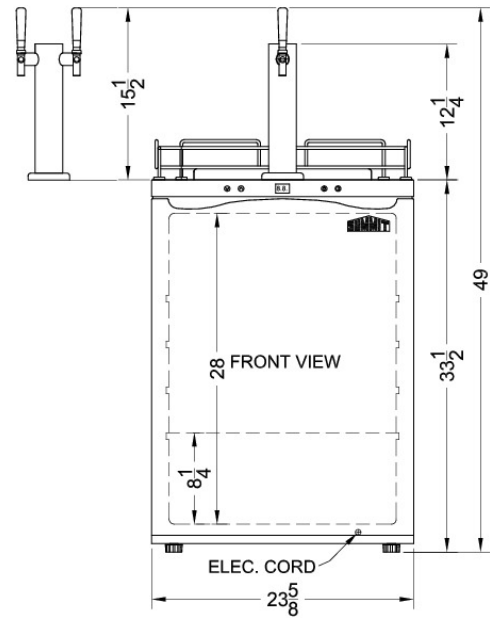
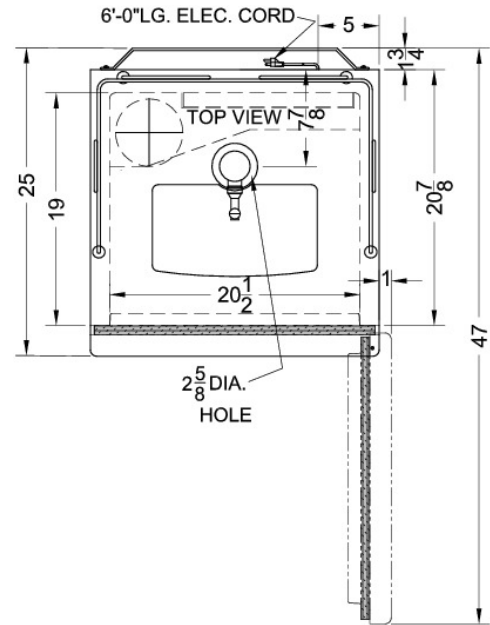
Product Features:

Full-sized beer dispenser	Large 5.6 cu.ft. interior accepts half, quarter, and mini kegs
Tap Kit	Includes a 5 lb. CO2 tank and regulator, draft arm, Sankey American tap, and connection hardware
Automatic defrost	Reduced user maintenance with auto defrost operation
Digital thermostat	Electronic controls ensure easy temperature management, with an external readout in Celsius or Fahrenheit
Ideal beer temperature	Operates between 33° and 50°F to keep a variety of beers stored at just the right serving temperature
Fully finished black cabinet	Allows the beer dispenser to be used freestanding
Reversible door	User-reversible door swing for added flexibility
Casters included (ships unassembled)	To make the beer dispenser portable, install this set of 2 1/2" high locking casters
Top guard rail (ships unassembled)	Attractive chrome guard rail helps to reduce spills and neaten service



SBC635M Specifications:

Overview	
Height to Cabinet	49.0"
Width	23.63"
Width with Door Open	25.0"
Depth	25.0"
Depth with door at 90°	47.0"
Capacity	5.6 cu.ft.
Defrost Type	Automatic
Door	Black
Cabinet	Black
US Electrical Safety	UL
Canadian Electrical Safety	ULC
Energy Usage/Year	310.0kWh/year
Amps	0.86
Voltage/Frequency	115 V AC/60 Hz
Weight	80.0 lbs.
Shipping Weight	100.0 lbs.
Parts & Labor Warranty	1 Year
Compressor Warranty	5 Years
Beer Dispenser	
Door Swing	RHD
Reversible	Yes
Tap Kit	Yes
Number of Taps	1
Thermostat Type	Digital
Refrigerant	R600a
Refrigerant Amount	1.13 oz.
High Side PSI	250.0
Low Side PSI	110.0
Inter Height	28.0"
Interior Width	20.5"
Interior Depth	19.0"
Compressor Step Height	8.25"
Wheel Qty	4
Temperature Range	33° to 50° F



SUMMIT APPLIANCE DIVISION FELIX STORCH, INC.

770 Garrison Avenue, Bronx, NY 10474 USA TEL 718-893-3900 FAX 844-478-8799

info@summitappliance.com



www.summitappliance.com