

## INSULATED CHILLTEMP® REFRIGERATED CABINET MODEL R-171-SUA-20E

### FEATURES AND BENEFITS:

- Fully insulated double capacity mobile ChillTemp® refrigerated cabinet for holding food and beverages at serving temperature.
- Forced air system provides even distribution of cold air; cabinet maintains temperatures from 33°F (.5° C) to 40°F (4.5° C). Automatically defrosts.
- 1/3 horsepower compressor with automatic overload reset. R134a refrigerant for environmental compatibility.
- Stainless steel construction throughout for ease of cleaning. One piece extended base protects cabinet body.
- Push/pull handles on both sides prevent damage to walls; allows easy maneuvering.
- Self-closing insulated doors prevent temperature loss. Magnetic door gaskets for proper seal.
- Full length extruded door handles for "easy open"; positive catch (available in USA only) secures door during transport.
- Generous 39-cubic foot interior.
- Twenty sets of chrome plated wire universal angles accommodate a large variety of pan sizes on adjustable 1-1/2" centers.
- Heavy duty 6" casters, two rigid and two swivel with brakes. Provides mobility when fully loaded.
- One piece welded base with perimeter bumper provides solid foundation to support heavy loads.



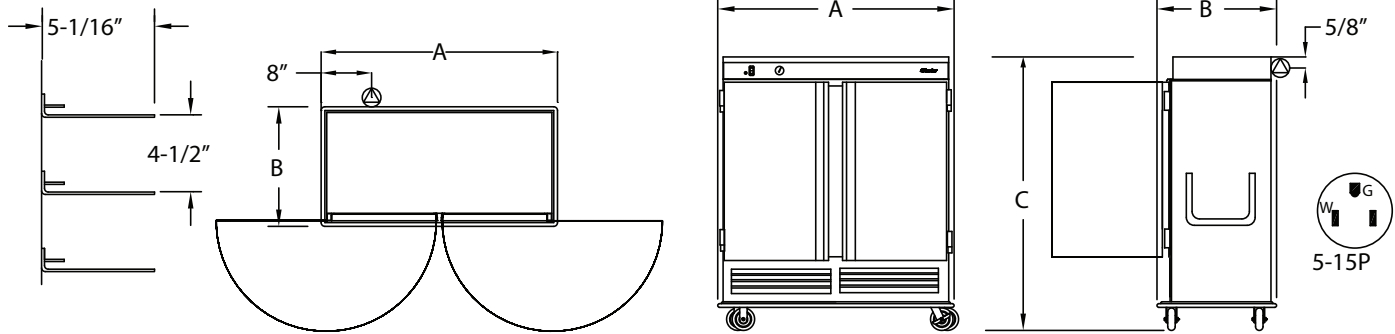
R-171-SUA-20E

### ACCESSORIES and OPTIONS (Available at extra cost):

- Extra Universal Angles
- Drop Down Pull Handle
- Menu Card Holder
- Polyurethane Casters
- Magnetic Door Latch (USA only)
- 240 Volt Service
- Digital Thermometer
- Interior for (56) 18" x 26" pans

See page K-2 for accessory details.

# R-171-SUA-20E



DETAIL OF  
PAN SLIDE

CRES COR MODEL NO.	PAN			DIM "A"	DIM "B"	DIM "C"	INSIDE DIMENSIONS			WEIGHT ACT.	
	CAP/ ANGLES	SIZE		WIDTH	DEPTH	HEIGHT	WIDTH	DEPTH	HEIGHT		
R-171-SUA-20E	20 SETS	SEE NOTE BELOW	IN	62-13/16	39-1/4	77-1/4	51-1/4	29-13/16	48	LBS	630
			MM	1596	997	1962	1302	757	1219	KG	286

NOTES: 1. Pan sizes 22" x 20" (560 x 510) Roast & Bake Pans, 10" x 20" (255 x 510) Roast & Bake Pans, 18" x 26" (460 x 660) Bun Pans, 14" x 18" (355 x 460) Service Trays, 12" x 20" (305 x 510) Steam Table Pans.  
Refer to Pan Size Chart at end of section.

2. When ordering bumpers, add 2" to overall dimensions.

ALL CONSTRUCTION IS RIVETED, WELDED AND FINISHED.

## CABINET:

- Body: 22 ga. stainless steel.
- Reinforcement: Internal framework of 16 ga. stainless steel.
- Push/pull handles (2).
- Interior coved corners.

## BASE:

- One piece construction, .125 aluminum.
- Casters: 6" dia., modulus tires, 2" wide, load cap. 450 lbs. each, temp: 120°F continuous. Zerk fittings. Two rigid and two swivel casters with brakes.
- Perimeter bumper: 1 x 1 gray non-marking rubber.

## DOORS:

- Formed 22 ga. stainless steel.
- Extruded handles.
- Transport latches.
- Hinges: Heavy duty chrome plated steel.
- Gaskets: Perimeter type, magnetic Santoprene.
- Pan stops: Embossed.

## PAN SLIDES:

- Wire angles (.306 dia.), nickel chrome plated steel, mounted on lift-off posts.
- Spaced on 4-1/2" centers; adjustable on 1-1/2" centers.

## ELECTRICAL COMPONENTS:

- Thermostat: Pre-set to 38° F (3.3° C).
- Pilot light.
- Switch.
- Power cord: Permanent, 10 ft., 14/3 ga. with molded plug.
- Compressor: 1/3 h.p.
- Condensate evaporator: Electrical.
- R134a refrigerant.
- Vent fan

## POWER REQUIREMENTS:

- 120 Volts, 60 Hz., single phase, 15 Amp. service.

## SHORT FORM SPECIFICATIONS

Cres Cor Refrigerated Cabinet Model R-171-SUA-20E. Cabinet 22 ga. stainless steel; stainless steel internal frame. (20) sets of wire universal angles for multiple pan sizes, adjustable spacing every 1-1/2". Doors, 22 ga. stainless steel. Foam insulation in sides and doors. Interior coved corners. 1/3 h.p. compressor, 120 Volts. One piece base, .125 aluminum. 6" casters, (2) rigid and (2) swivel with brakes, Zerk fittings. Load capacity 450 lbs. each. Perimeter bumper. 2-Year Parts / 1-Year Labor warranty. Provide the following accessories: \_\_\_\_\_ . CSA-US/C, CSA to NSF7 listed.



Scan QR code to view Spec Sheet, Operating Manual, Wiring Diagram or to call Customer Service.

If you need a QR reader visit your App Store on your Smartphone or Tablet.



5925 Heisley Road • Mentor, OH 44060-1833  
Phone: 877/CRESCOR • Fax: 440/350-7267  
www.crescor.com

© Crescent Metal Products, Inc. 2017 All rights reserved.

*In line with its policy to continually improve its products, CRES COR reserves the right to change materials and specifications without notice.*

Litho in U.S.A.