



THREE TANK SINKS – STAINLESS STEEL BOWLS

Perlick Features

- Deep drawn stainless steel bowls.
- NSF listed, commercial grade hot/cold water faucet.
- Embossed stainless steel drainboard.
- Underside is sound-deadened.
- Stainless steel legs install without tools and have “Rust Free” Thermoplastic feet.

MODEL NOS.

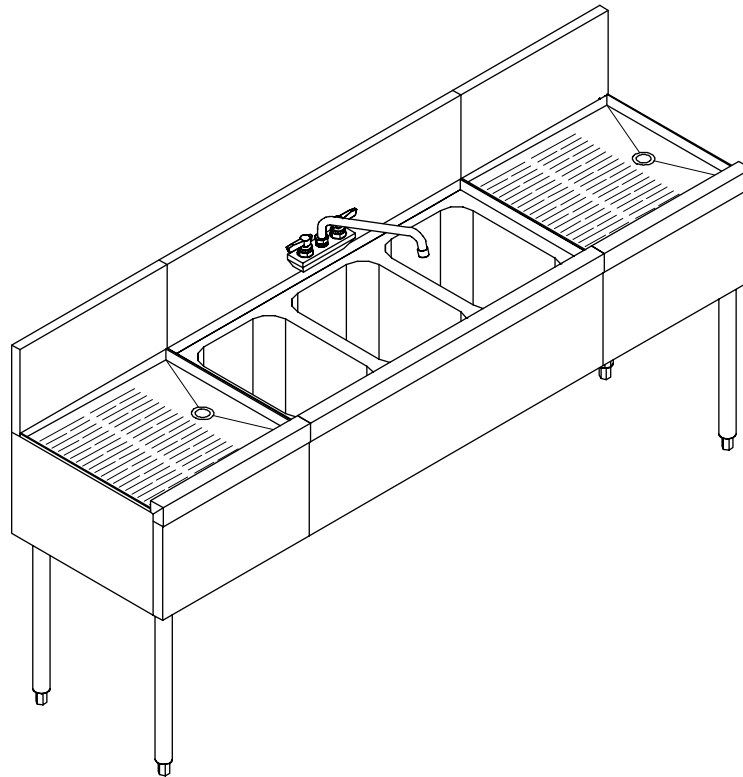
TS Series

- TS33C
- TS43R
- TS43L
- TS53C
- TS63C
- TS73C
- TS83C

MODEL NOS.

TSD Series

- TSD33C
- TSD43R
- TSD43L
- TSD53C
- TSD63C
- TSD73C
- TSD83C



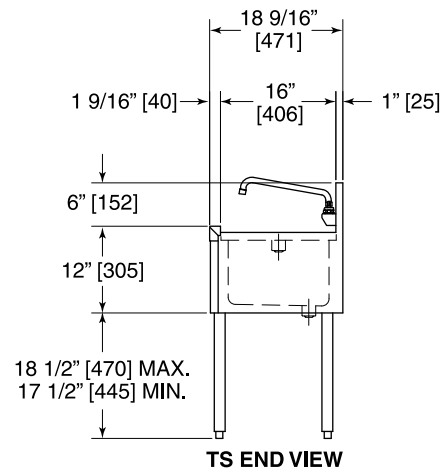
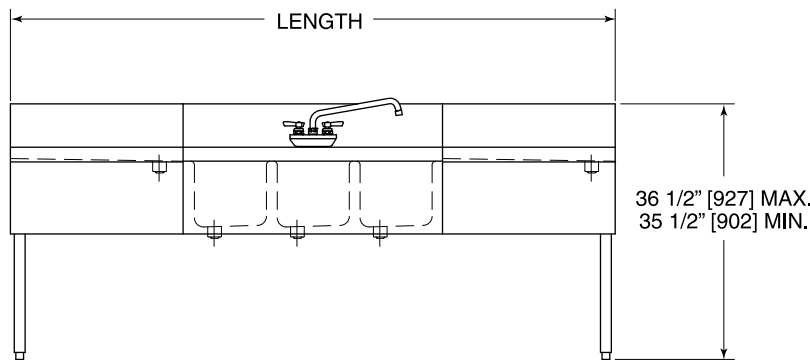
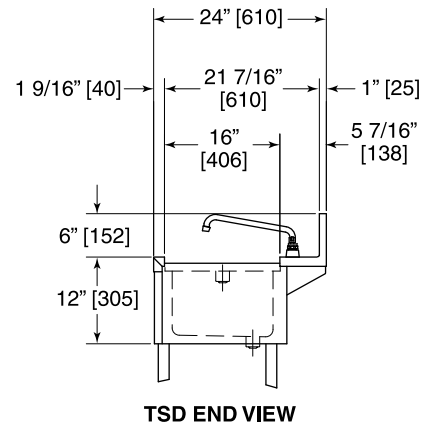
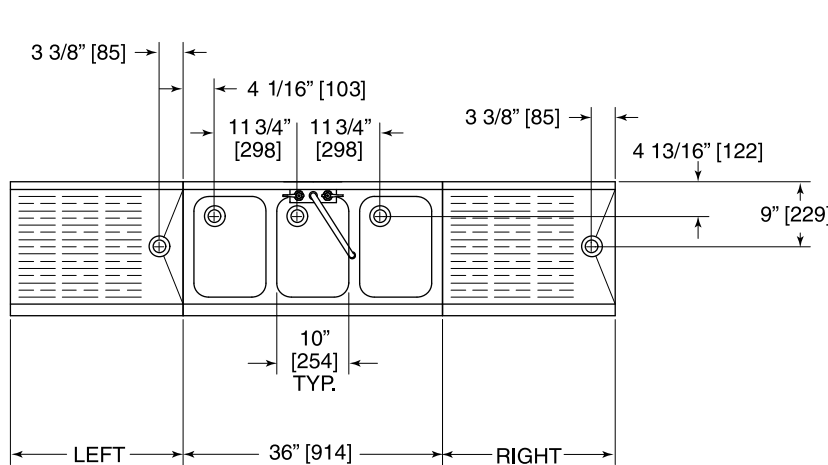
8300 West Good Hope Road • Milwaukee, WI 53223 • Phone 414-353-7060 • Fax 414-353-7069
Toll Free 800-558-5592 • E-Mail: Perlick@Perlick.com • www.Perlick.com



Sizes and Specifications Three Tank Sinks - Stainless Steel Bowls

Job _____
 Area _____
 Item No. _____
 Model No. _____

MODEL NOS.	TS(D)33C	TS(D)43R	TS(D)43L	TS(D)53C	TS(D)63C	TS(D)73C	TS(D)83C
LENGTH FT. (mm)	3' (914)	4' (1219)	4' (1219)	5' (1524)	6' (1829)	7' (2134)	8' (2438)
Ship wt lbs. (kg)	95 (43)	115 (52)	115 (52)	125 (57)	145 (66)	160 (73)	195 (88)
DRAINBOARD LOC.	NA	Left	Right	Left/Right	Left/Right	Left/Right	Left/Right
DRAINBOARD LENGTH INS. (mm)	NA	12" (305)/NA	NA/12" (305)	12" (305) each side	18" (458) each side	24" (610) each side	30" (762) each side
FRONT & SIDES	Stainless steel.						
BACK & BOTTOM	Galvanized steel.						
BACKSPLASH	Stainless steel 6" high (4" high optional) with 1" return at top, mechanically fastened and sealed with steel support brackets. TSD Series: Stainless steel rear deck.						
LEGS	1 5/8" tubular, stainless steel with 1" adjustable thermoplastic foot.						
DRAINBOARD	Embossed stainless steel, 16" deep front to back with 1 1/2" stainless steel drain socket. All horizontal and vertical edges 1/4" radius with balled corners. Underside sound deadened and reinforced with welded brackets.						
BOWLS	Stainless steel with undercoating to absorb sound. 10" x 14" x 9 1/4" deep. All horizontal and vertical edges 1 1/2" radius with balled corners. Furnished with 1 1/2" stainless steel drain socket. 8 1/2" standpipe.						
WATER FAUCET	Chrome plated, hot and cold, 10" swing spout faucet. Heavy-duty all brass construction.						
PLUMBING	Drain-connection - 1 1/2" NPS Male. Hot and cold water connection: TS Series: 3/8" copper supply tubes. TSD Series: 1/2" IPS shanks and nuts.						



8300 West Good Hope Road • Milwaukee, WI 53223 • Phone 414-353-7060 • Fax 414-353-7069
 Toll Free 800-558-5592 • E-Mail: Perlick@Perlick.com • www.Perlick.com

Perlick is committed to continuous improvement.
 Therefore, we reserve the right to change specifications without prior notice.

Form No. SK04
 Rev. 11.28.07