



14" BLENDER STATION WITH SINK

Perlick Features

- Deep drawn stainless steel bowl.
- NSF listed, commercial grade hot/cold water faucet.
- Underside is sound-deadened.
- Convenient front-mounted shelf with access hole for electrical cord.
- Stainless steel legs install without tools and have "Rust Free" Thermoplastic feet.

MODEL NOS.

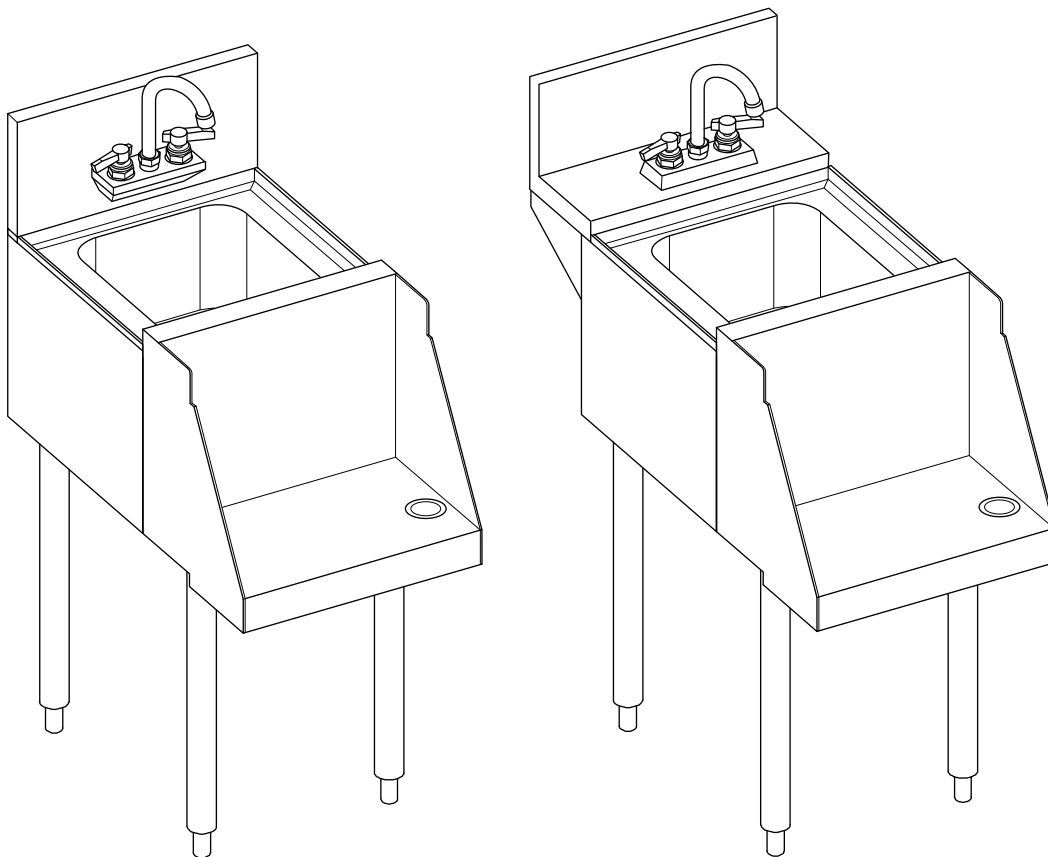
TS Series

TS14BLW

MODEL NOS.

TSD Series

TSD14BLW



8300 West Good Hope Road • Milwaukee, WI 53223 • Phone 414-353-7060 • Fax 414-353-7069
Toll Free 800-558-5592 • E-Mail: Perlick@Perlick.com • www.Perlick.com

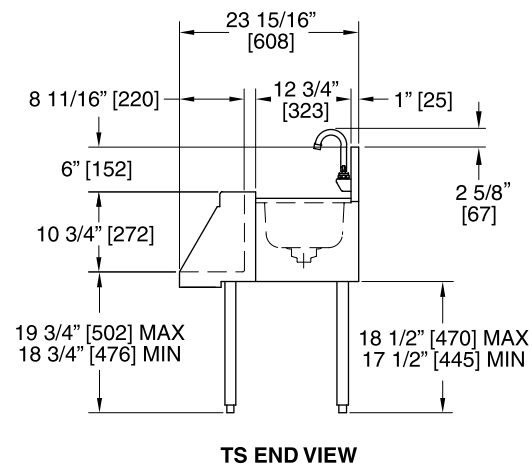
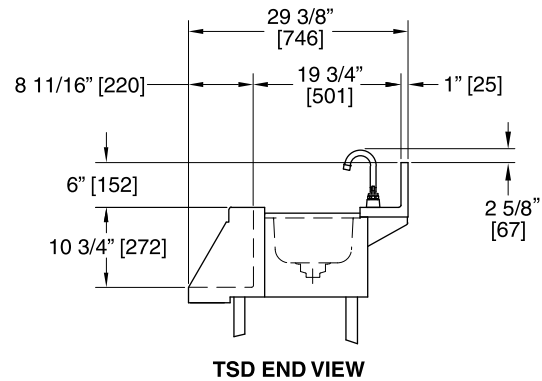
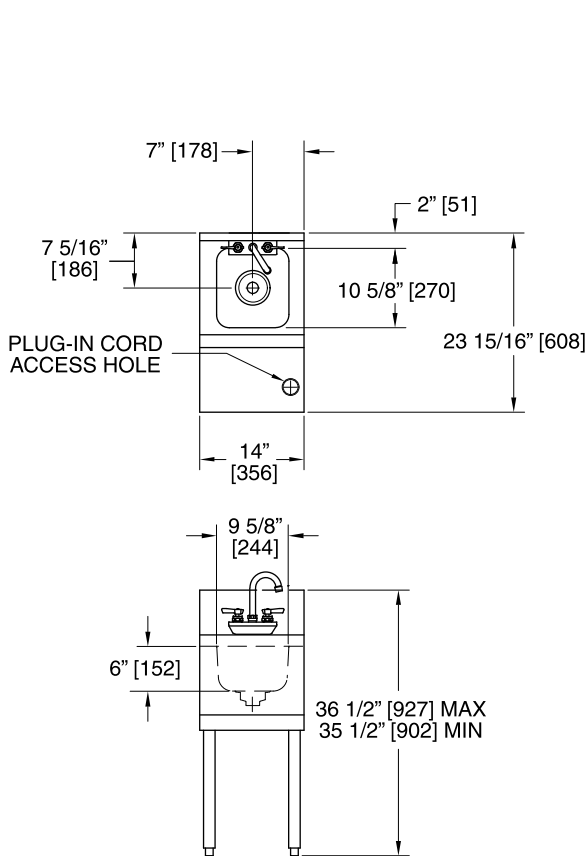


Sizes and Specifications

14" Blender Station with Sink

Job _____
 Area _____
 Item No. _____
 Model No. _____

MODEL NOS.	TS(D)14BLW
LENGTH INS. (mm)	14" (356)
SHIP WT lbs. (kg)	55 (25)
TOP & SHELF	Stainless steel. Shelf includes access hole for plug-in cord.
BACK & BOTTOM	Galvanized steel.
BACKSPLASH	Stainless steel 6" high (4" high optional) with 1" return at top, mechanically fastened and sealed with steel support brackets. TSD Series: Stainless steel rear deck.
LEGS	1 5/8" tubular, stainless steel with 1" adjustable thermoplastic foot.
BOWL	Stainless steel with undercoating to absorb sound. All horizontal and vertical edges 1 3/4" radius with balled corners. Furnished with 1 1/2" stainless steel drain socket and duo-strainer. 10 5/8" x 9 5/8" x 6" deep.
WATER FAUCET	Chrome plated, hot and cold, goose-neck faucet. Heavy-duty all brass construction
PLUMBING	Drain-connection - 1 1/2" NPS Male. Hot and cold water connection: TS Series: 3/8" O.D. copper supply tubes. TSD Series: 1/2" IPS shanks and nuts.
ELECTRIC	Duplex outlet included, but not installed.



8300 West Good Hope Road • Milwaukee, WI 53223 • Phone 414-353-7060 • Fax 414-353-7069
 Toll Free 800-558-5592 • E-Mail: Perlick@Perlick.com • www.Perlick.com

Perlick is committed to continuous improvement.
 Therefore, we reserve the right to change specifications without prior notice.

Form No. BL02
 Rev. 08.10.09