



Profit from the Eagle Advantage®

Foodservice Division: (800) 441-8440

MHC/Retail Display Divisions: (800) 637-5100

FAX: (302) 653-2065

Product Announcement

Short Form Specifications

Eagle Printer Shelf, model _____. Constructed of 16 gauge type 430 stainless steel. Available in standard or slanted design. Flat shelves feature square edge with return. Slanted shelves feature upturn edge.

Item #:	_____
Model #:	_____
Project #:	_____
SIS #:	_____

EG8193 Rev. 11/18



Printer Shelves

Wall Mounted

Ideal for locating a label printer in the commercial kitchen, work center... anywhere in which a printer is critical to meet the industry demands for functionality.

Design and Construction Features

- Space-saver printer label shelf features heavy gauge stainless steel construction.
- Hole with black rubber grommet, located toward the rear of shelf for cords.
- Heavy gauge stainless steel polished to #4 finish.
- Four mounting holes* provided.
- 7" and 9" (178 and 229mm) widths available.
- Available in standard or slanted design.
- Custom sizes available.

* Wall mounting hardware not included.

For custom configuration or fabrication needs, contact our **SpecFAB® Division**.
Phone: (302) 653-3000. FAX: (302) 653-2065.
E-mail: quotes@eaglegrp.com



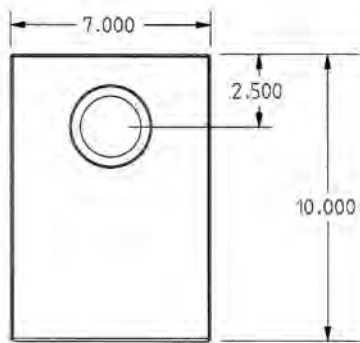
#MWS0912-PS



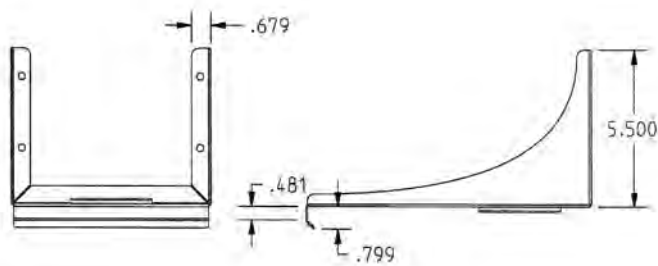
#MWS0912-SPS

Printer Shelves

Models with standard design...



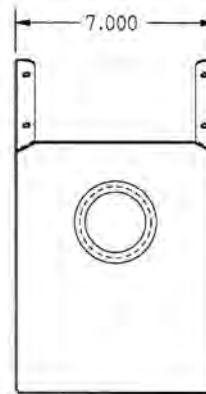
TOP VIEW



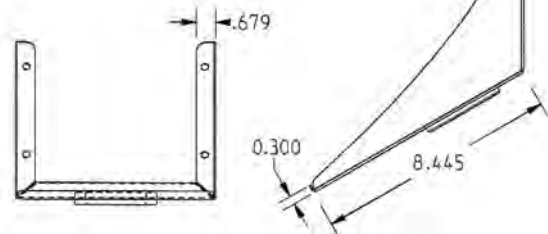
FRONT VIEW

SIDE VIEW

...or with slanted design



TOP VIEW



FRONT VIEW

SIDE VIEW

("MWS0710" units shown)

width		length		weight		with Standard Design		with Slanted Design	
in.	mm	in.	mm	lbs.	kg	model #	list	model #	list
7"	177.8	10"	254.0	2.48	1.22	MWS0710-PS	82	MWS0710-SPS	85
9"	228.6	12"	304.8	2.80	1.27	MWS0912-PS	98	MWS0912-SPS	100