

REGULAR



NON-HEATED DROP-IN
self-leveling

DISPENSER

ADJUSTMENT INSTRUCTIONS

For Models

4000 Through 4012

5000 Through 5012

Refer to picture at right before starting.

INSTALLATION INSTRUCTIONS ON REVERSE SIDE.

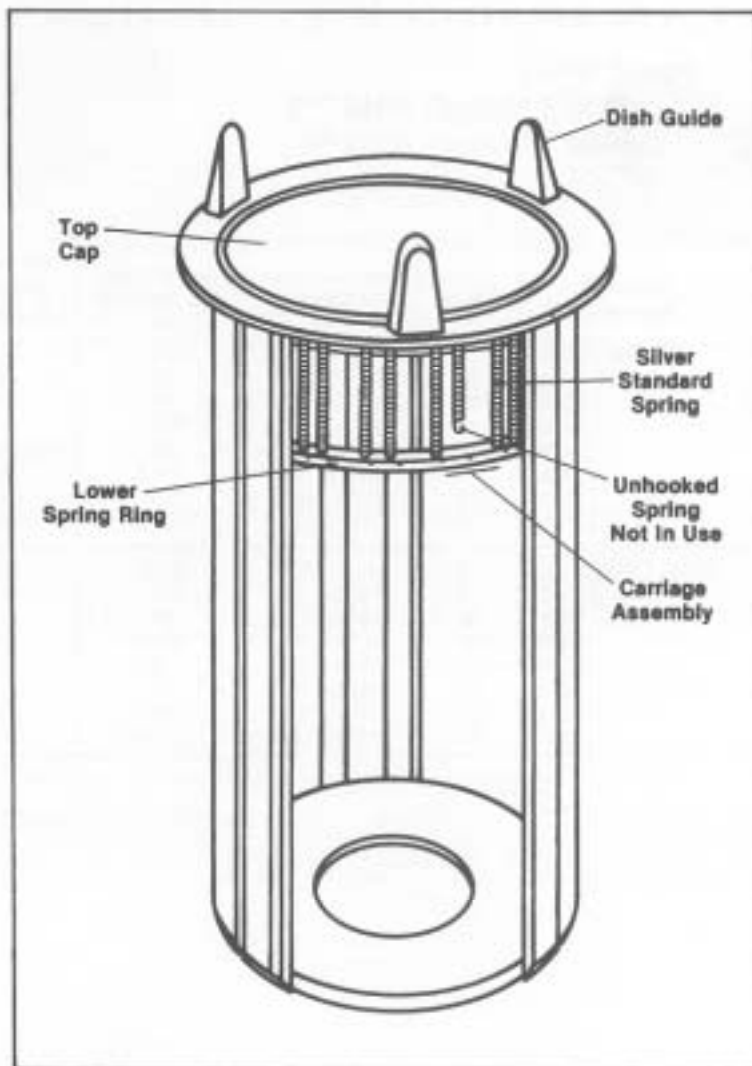
WEIGHT ADJUSTMENT

Dish diameter and weight determine how many springs should support your dishes. To insure smooth operation, use an equal number of springs on all sides of the tube. Always unhook lower end of springs only. Leave spring hang for future use.

Use the following chart as a guide to determine approximately how many springs to use.

Dish Diameter	Springs Required
Up to 5"	2 Silver
5 1/4" to 5 1/2"	3 Silver
5 1/2" to 6"	3 Silver
6" to 7"	7 to 9 Silver
7" to 8"	9 to 11 Silver
8" to 9"	10 to 13 Silver
9" to 10"	12 to 16 Silver
10" to 12"	16 to 22 Silver

- First place ten dishes into the unit directly on top cap.
- If the dishes are above the top of the dish guides, one or more of the springs must be unhooked. Remove the dishes, lift the dispenser out of the counter or shield high enough for access to the bottom of the springs, or lift the dispenser out and place on floor. Unhook one or more springs from the bottom. Leave the spring hang for future use. Replace the ten dishes. Repeat this operation if the dishes are still too high. Place dispenser back into counter or shield.
- If the dishes become too low, remove all the dishes. Lift the dispenser out of the counter or shield high enough for access to the bottom of the spring. Hook one or more loose springs into position. Replace the dishes. Repeat this operation if the dishes are still too low.
- Repeat the above operations with more dishes and with less dishes.



REGULAR

LAKESIDE

4900 Electric Avenue • Milwaukee, WI 53219 • (414) 902-6446

NON-HEATED DROP-IN
self-leveling

DISPENSER

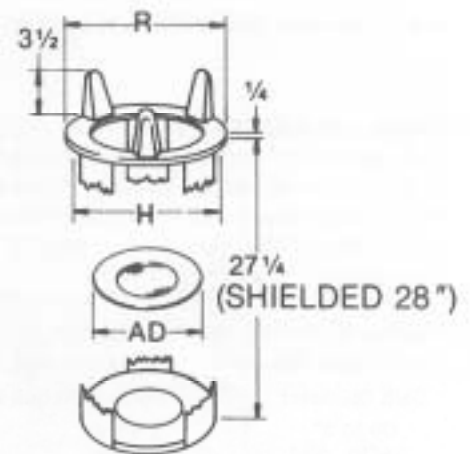
INSTALLATION INSTRUCTIONS

For Models

4000 Through 4012

5000 Through 5012

Model Number	Ship Wt.	Accommodates Dish Diameter (AD)	Overall Size Ring Diameter (R)	Diameter of Hole Cutout in Counter (H)	
OPEN	4000	Up to 5"	8 $\frac{1}{2}$ "	7 $\frac{1}{8}$ "	
	4005	5 $\frac{1}{2}$ " to 5 $\frac{1}{2}$ "	9"	8 $\frac{1}{8}$ "	
	4006	5 $\frac{1}{2}$ " to 6 $\frac{1}{2}$ "	9 $\frac{1}{2}$ "	8 $\frac{1}{4}$ "	
	4007	6 $\frac{1}{2}$ " to 7 $\frac{1}{2}$ "	10"	9 $\frac{1}{8}$ "	
	4008	7 $\frac{1}{2}$ " to 8 $\frac{1}{2}$ "	11"	10 $\frac{1}{8}$ "	
	4009	8 $\frac{1}{2}$ " to 9 $\frac{1}{2}$ "	12"	11 $\frac{1}{8}$ "	
	4010	9 $\frac{1}{2}$ " to 10 $\frac{1}{2}$ "	13"	12 $\frac{1}{8}$ "	
4012	20	10 $\frac{1}{2}$ " to 12 $\frac{1}{2}$ "	15 $\frac{1}{8}$ "	14 $\frac{1}{8}$ "	
SHIELDED	5000	Up to 5"	8 $\frac{1}{2}$ "	7 $\frac{1}{8}$ "	
	5005	5 $\frac{1}{2}$ " to 5 $\frac{1}{2}$ "	9"	8 $\frac{1}{8}$ "	
	5006	5 $\frac{1}{2}$ " to 6 $\frac{1}{2}$ "	9 $\frac{1}{2}$ "	8 $\frac{1}{4}$ "	
	5007	6 $\frac{1}{2}$ " to 7 $\frac{1}{2}$ "	10"	9 $\frac{1}{8}$ "	
	5008	7 $\frac{1}{2}$ " to 8 $\frac{1}{2}$ "	11"	10 $\frac{1}{8}$ "	
	5009	8 $\frac{1}{2}$ " to 9 $\frac{1}{2}$ "	12"	11 $\frac{1}{8}$ "	
	5010	9 $\frac{1}{2}$ " to 10 $\frac{1}{2}$ "	13"	12 $\frac{1}{8}$ "	
	5012	29	10 $\frac{1}{2}$ " to 12 $\frac{1}{2}$ "	15 $\frac{1}{8}$ "	14 $\frac{1}{8}$ "



For Fast Direct Information Call
LAKESIDE SPEED-LINE
(800) 558-8565

In Canada
(800) 241-9944

LAKESIDE WEB SITE: www.eLakeside.com

E-MAIL: info@eLakeside.com