



# STANDARD SERIES UNDERBAR DROP-IN ICE BINS / MOBILE ICE BIN

MODEL: \_\_\_\_\_ PROJECT: \_\_\_\_\_ ITEM #: \_\_\_\_\_ QTY: \_\_\_\_\_

## PRODUCT IMAGES



D2712 & D278 SHOWN

**AVAILABLE IN MEDIUM OR LARGE**

## DROP-IN ICE BINS STANDARD FEATURES

- **Ice Bin Interior**  
20 gauge stainless steel
- **Cold Plate**  
Cast aluminum post mix cold plate with seven circuits. Each circuit is 5/16" OD stainless steel tubing. Two full with remainder to be half circuits. Bump and swedge fittings on ends.
- **Sliding Cover**  
Two piece 20 gauge stainless steel
- **Plumbing**  
Cold Plate: 1/2" IPS drain connection  
No Cold Plate: 1" IPS drain connection

## PRODUCT IMAGES



MB-1830 SHOWN

## MOBILE ICE BIN STANDARD FEATURES

- **Ice Bin Interior**  
20 gauge stainless steel. 12" deep bin
- **Front Apron**  
20 gauge stainless steel
- **Sides**  
20 gauge stainless steel
- **Plumbing**  
1" IPS drain connection with shut-off
- **Optional Cover**  
MB-SC: Sliding cover for mobile ice bin



**CERTIFICATIONS:**

**APPROVED BY:**

Due to our commitment to continued product improvement, specifications are subject to change without notice.

Printed in the USA

**Krowne Metal Corporation**

100 Haul Rd. Wayne, NJ 07470 • Toll Free: (800) 631-0442 • Fax: (973) 872-1129  
sales@krowne.com • www.krowne.com • www.facebook.com/KrowneMetal • www.twitter.com/KrowneMetal

Rev. 04/2013  
No. 3.2

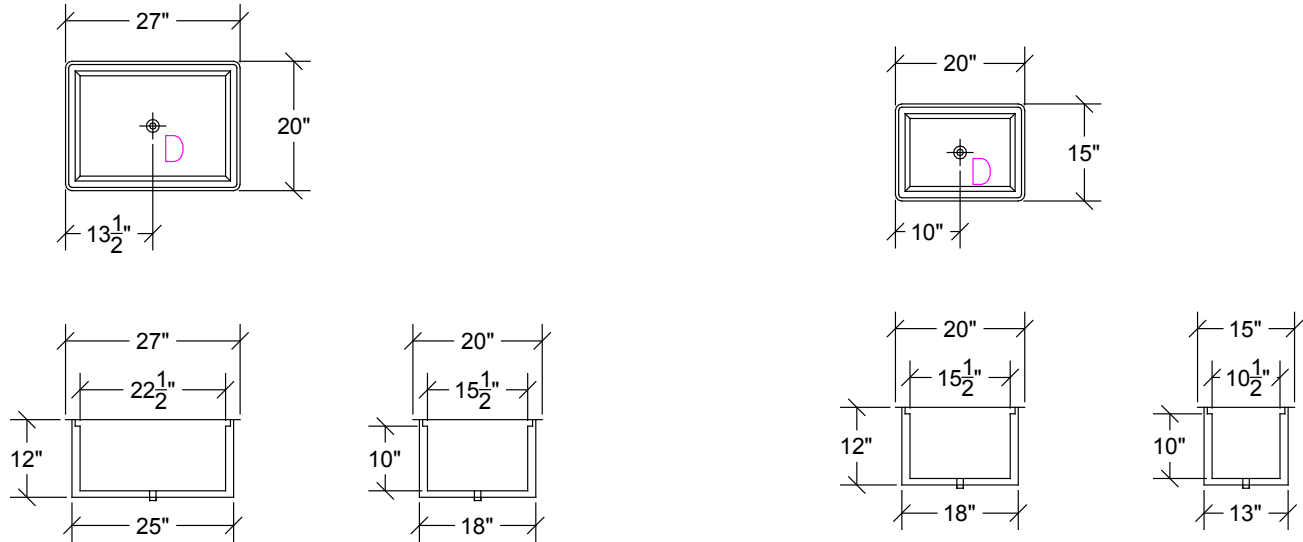


# STANDARD SERIES UNDERBAR DROP-IN ICE BINS / MOBILE ICE BIN

MODEL: \_\_\_\_\_ PROJECT: \_\_\_\_\_ ITEM #: \_\_\_\_\_ QTY: \_\_\_\_\_

## LARGE DROP-IN ICE BIN

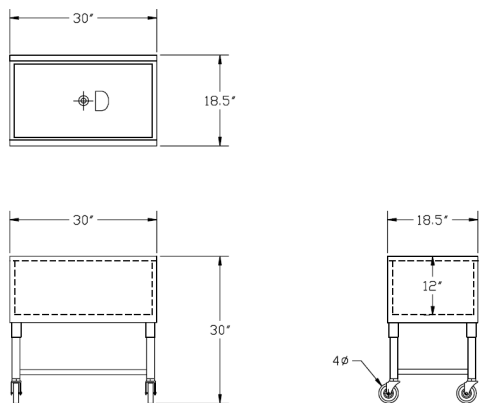
## MEDIUM DROP-IN ICE BIN



Model Numbers	Length	Width	Liner Depth Ⓐ	Overall Depth Ⓑ	Cold Plate Circuits	Ice Capacity (lbs.)	Cutout Size	Weight (lbs.)
D2712	27"	20"	10"	12"	N/A	73	25 1/4" x 18 1/4"	60
D2712-7	27"	20"	10"	15"	7	73	25 1/4" x 18 1/4"	95
D278	20"	15"	10"	12"	N/A	50	18 1/4" x 13 1/4"	35

**MECHANICAL REQUIREMENTS:** Cold Plate: 1/2" IPS drain connection. No Cold Plate: 1" IPS drain connection

## MOBILE ICE BIN



Model Number	Length	Width	Depth	Ice Capacity (lbs.)	Weight (lbs.)
MB-1830	30"	18 1/2"	12"	97	60

**MECHANICAL REQUIREMENTS:** 1" IPS drain connection



**APPROVED BY:**

**CERTIFICATIONS:**

Due to our commitment to continued product improvement, specifications are subject to change without notice.