

# Jackson TempStar™ GPX

Project \_\_\_\_\_  
 Item \_\_\_\_\_  
 Quantity \_\_\_\_\_  
 CSI Section 11400 \_\_\_\_\_  
 Approval \_\_\_\_\_  
 Date \_\_\_\_\_

Door Type

## Models

TempStar™ GPX



## Standard Features

- Multi-cycle timer (Extra Heavy, Heavy, Medium, Normal)
- Specially designed stainless steel nozzles provide superior cleaning action
- 17-1/4" (438 mm) door opening accepts 18" (457 mm) trays
- Interchangeable wash/rinse arms screw out for simple cleanup
- Auto-fill / auto-start
- Safety door switch
- Delime/manual wash switch
- Hi-limit thermostat and low water protection
- Top mounted controls for ease of installation
- Adjustable bullet feet
- Front dress panel
- External gas booster heater
  - Capable of minimum 70°F (21°C) degree temperature rise
  - Recirculates water through stainless steel coils in wash tank to maintain 150°F (66°C) degree minimum temperature
- Self-draining stainless steel pump
- Uses standard 20" X 20" (508 mm X 508 mm) racks
- Detergent/rinse additive signal connection fuse box

## Mandatory Specs

- Specify incoming water temperature
- Specify how far booster will be placed from unit
- Specify altitude for proper booster size

## Optional Features

- Drain Quench System
- Scaltrol
- Water Hammer Arrestor
- Flanged Feet
- False Panel
- Safety Door Interlock

## Accessories

- 36-Compartment Rack
  - 4-1/8" tall (104 mm)
  - 5-5/8" tall (143 mm)
  - 7" tall (178 mm)
- Combination Rack
- Peg Rack

## Specifications

Uses 1.0 gallon (4 liters) of 180°F (82°C) water per rack

Total automatic cycle - 58 seconds

57 racks per hour

3/4 hp Wash Pump Motor

Single point connections for all utilities

Built-in water pressure regulator and gauge

Field convertible from straight through to corner and vice versa

Heavy duty stainless steel construction



**SHIPPING ADDRESS**  
 6209 North U.S. Highway 25E  
 Gray, KY 40734

**MAILING ADDRESS**  
 P. O. Box 1060  
 Barbourville, KY 40906

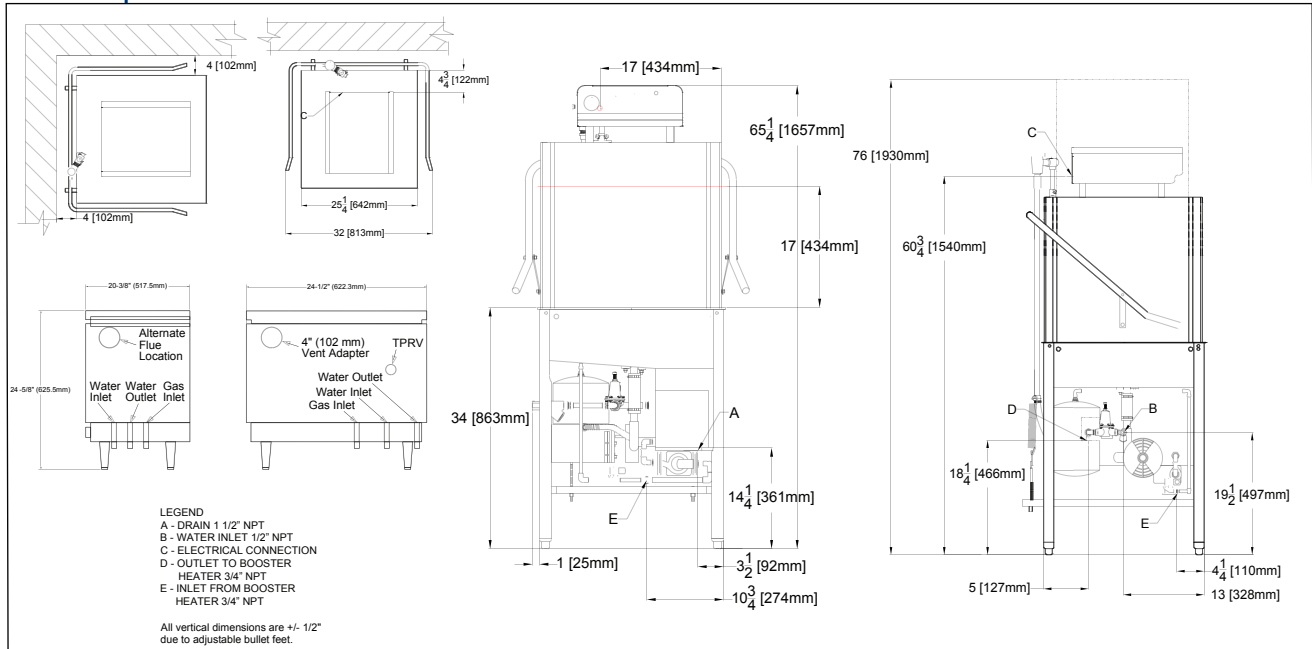
**Tel: 606-523-9795**  
**Tel: 1-888-800-5672**  
**Fax: 606-523-1799**

**www.jacksonmsc.com**  
**E-mail: customerservice@jacksonmsc.com**  
**07610-002-66-61C (08/09)**



# Jackson

## TempStar™ GPX



MODEL NO.	MACHINE DIMENSIONS				SHIPPING INFORMATION					
	HEIGHT	WIDTH	DEPTH	DRAIN HEIGHT	WEIGHT	CLASS	CUBE	HEIGHT	WIDTH	DEPTH
TempStar™ GPX	64-1/2" (1638 mm)	25-1/4" (641 mm)	25-1/4" (641 mm)	14-1/4" (362 mm)	400 lbs (181 kg)	92.5	65 cu. ft.	79" (2007 mm)	33" (838 mm)	43" (1092 mm)

DIMENSION REQUIREMENTS		
Wall Clearance (Minimum)		4" (102 mm)
Standard Table Height		34" (864 mm)
Inside Clearance		17-1/4" (438 mm)

OPERATING CAPACITY				
Racks per Hour	Normal 57	Medium 29	Heavy 19	Extra Heavy 11
OPERATING CYCLE (sec)	Wash	Rinse	Dwell	Total Cycle
Normal	45	11	2	58
Medium	103	11	2	116
Heavy	163	11	2	176
Extra Heavy	283	11	2	294

OPERATING TEMPERATURES	
Wash (Minimum)	150°F (66 °C)
Rinse (Minimum)	180°F (82 °C)

WASH PUMP	
Wash Pump Motor	3/4 hp
Recirculation Motor	1-1/2 hp
Wash Pump Capacity (GPM)	150 gal (1022 L)

How To Specify - TempStar™ GPX

GAS REQUIREMENTS		
	Maximum	Minimum
Natural Gas (inches-water column)	10.5 (267 mm)	5.0 (127 mm)
LP Propane Gas (inches-water column)	13.0 (330 mm)	11.0 (292 mm)
Gas Connection (NPT)	1/2"	
Flue Adapter (Diameter)	4" (102 mm)	
Gas Booster Capacity (BTU)		
Input	55,000	
Output	46,000	

WATER REQUIREMENTS	
Incoming Water Temperature	110°F (43 °C)
Wash Tank Capacity	8 gal (30 L)
Flow Pressure (PSI)	15-25
Gallons per Hour	57.0
Gallons per Rack	1.0
Waterline Size (IPS Min.)	1/2"
Drainline Size (IPS Min. Inches)	1-1/2"

APPROXIMATE TOTAL LOAD AMPS	
	AMPS
115V/60HZ/1PH	13.2
208V/60HZ/1PH	6.6
230V/60HZ/1PH	6.6

**SHIPPING ADDRESS**  
 6209 North U.S. Highway 25E  
 Gray, KY 40734

**MAILING ADDRESS**  
 P. O. Box 1060  
 Barbourville, KY 40906

**Tel: 606-523-9795**  
**Tel: 1-888-800-5672**  
**Fax: 606-523-1799**

**www.jacksonmsc.com**  
**E-mail: customerservice@jacksonmsc.com**  
**07610-002-66-61C (08/09)**

