



# HOSHIZAKI

## Parts List

Glass Door Merchandiser

Model

RM-26-HC

[hoshizakiamerica.com](http://hoshizakiamerica.com)

Number: RM-26-HC  
Issued: 07-27-2018  
Revised: 02-02-2022

## TABLE OF CONTENTS

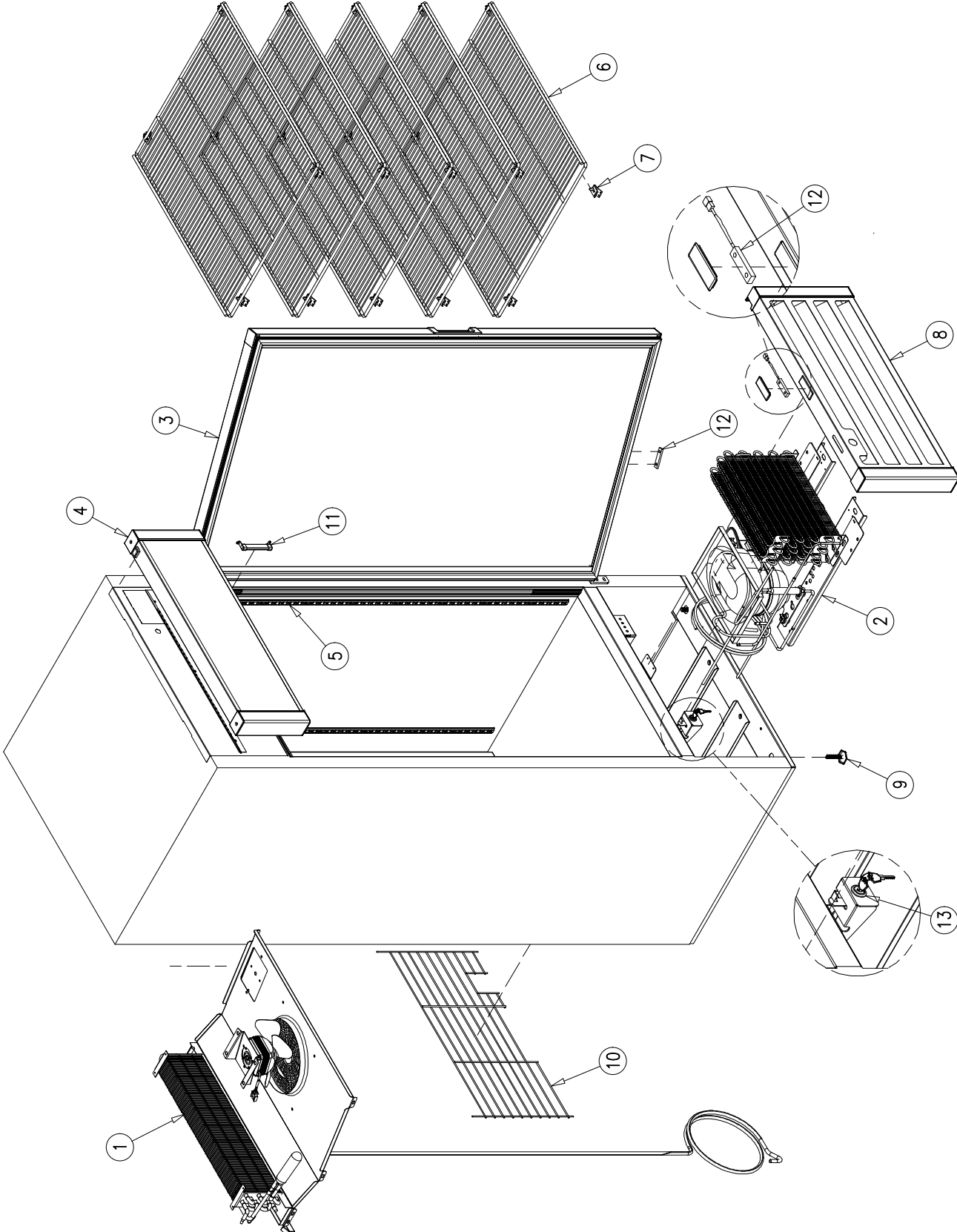
|                                     |    |
|-------------------------------------|----|
| MAIN ASSEMBLY .....                 | 3  |
| EVAPORATOR ASSEMBLY .....           | 5  |
| CONDENSING UNIT ASSEMBLY .....      | 7  |
| DOOR ASSEMBLY .....                 | 9  |
| LIGHTING SYSTEM.....                | 11 |
| SIGN AND FRONT GRILL ASSEMBLY ..... | 13 |

**NOTE:**

*To order spare parts, always include the following information:*

- *Model Number* \_\_\_\_\_
- *Serial Number* \_\_\_\_\_

# MAIN ASSEMBLY



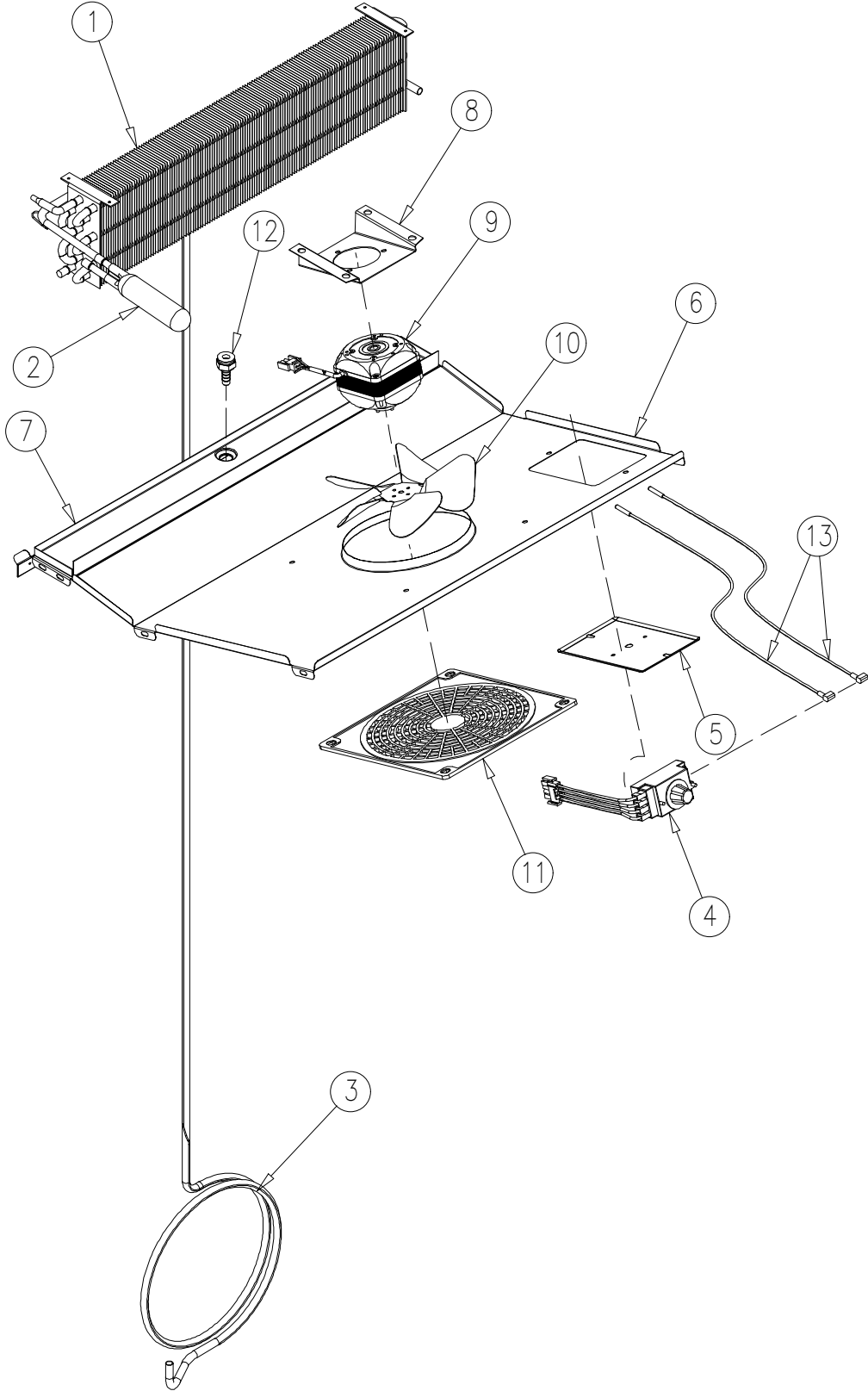
# MAIN ASSEMBLY

| <i>Item No.</i> | <i>Description</i>       | <i>Part No.</i>     | <i>Quantity per cooler</i> |
|-----------------|--------------------------|---------------------|----------------------------|
| 1               | EVAPORATOR ASSEMBLY      | OT-EV-0176          | 1                          |
| 2               | CONDENSING UNIT ASSEMBLY | OT-UN-0279          | 1                          |
| 3               | DOOR ASSEMBLY            | OT-PT-0638*         | 1                          |
| 4               | HEADER SIGN              | OT-ROTULO-0297*     | 1                          |
| 5               | PILASTER 48"             | PI-5                | 4                          |
| 6               | FLAT SHELF               | SH-0180-LEDR-HD-FE  | 5                          |
| 7               | SHELF CLIPS              | CL-51-SS-E          | 20                         |
| 8               | FRONT GRILL              | OT-CUBREMOTOR-0542* | 1                          |
| 9               | LEGS                     | LG-27               | 4                          |
| 10              | BACK GRILL               | SH-9-G-GR           | 1                          |
| 11              | THERMOMETER              | TH-1-E              | 1                          |
| 12              | DOOR SWITCH              | EL-306*             | 1                          |
| 13              | KEY SET                  | HA-471-G            | 1                          |

### \*Parts Change With Serial Number Break

| ITEM No. | Description   | Inter-changeable | Previous Component | Hoshizaki Last Serial Number and Earlier | Current Component  | Hoshizaki First Serial Number and Later |
|----------|---------------|------------------|--------------------|--|--------------------|---|
| 3        | DOOR ASSEMBLY | YES              | OT-PT-0519         | K-00908 (H)                              | OT-PT-0638         | L-00001 (A)                             |
| 4        | HEADER SIGN   | YES              | OT-ROTULO-0220     | K-00908 (H)                              | OT-ROTULO-0297     | L-00001 (A)                             |
| 8        | FRONT GRILL   | YES              | OT-CUBREMOTOR-0296 | K-00908 (H)                              | OT-CUBREMOTOR-0542 | L-00001 (A)                             |
| 12       | DOOR SWITCH   | YES              | EL-360             | J-00106 (H)                              | EL-306             | J-00126 (H)                             |

# EVAPORATOR ASSEMBLY



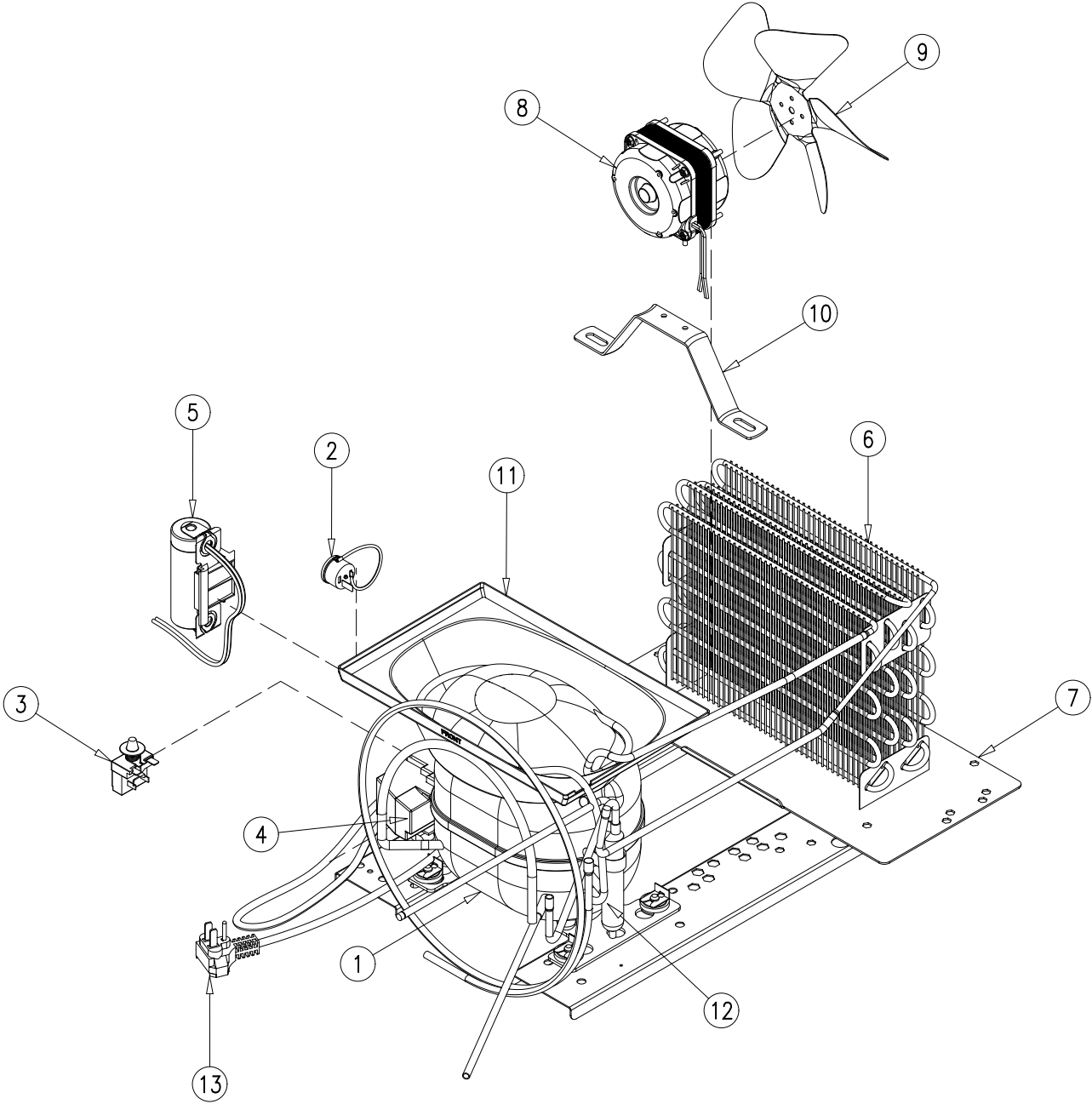
# EVAPORATOR ASSEMBLY

| <i>Item No.</i> | <i>Description</i>                                 | <i>Part No.</i>      | <i>Quantity per cooler</i> |
|-----------------|--|----------------------|----------------------------|
| 1               | EVAPORATOR   | CO-303               | 1                          |
| 2               | ACCUMULATOR  | DR-19-C              | 1                          |
| 3               | HEAT EXCHANGER                                     | OT-TUB-1050          | 1                          |
| 4               | CONTROL MODULE                                     | CT-198-SOL-138 (K)** | 1                          |
| 5               | CONTROL MODULE BRACKET                             | OT-20868             | 1                          |
| 6               | SHROUD   | OT-19531             | 1                          |
| 7               | DRAIN PAN  | OT-19532             | 1                          |
| 8               | EVAPORATOR FAN MOTOR BRACKET                       | OT-12203             | 1                          |
| 9               | EVAPORATOR FAN MOTOR                               | FA-1-EBM             | 1                          |
| 10              | EVAPORATOR FAN BLADE                               | FA-2-SW*             | 1                          |
| 11              | FAN GUARD  | FA-62                | 1                          |
| 12              | DRAIN FITTING                                      | DR-1-P               | 1                          |
| 13              | CABINET THERMISTOR (Evaporator and ambient probes) | CT-196-2-SOL         | 2                          |

\*\* THE PART NUMBER CT-198-SOL-138 (K) INCLUDES:  
CONTROL MODULE CT-198-SOL-138  
DOOR SWITCH HARNESS OT-AR-5022  
CONTROLLER HARNESS OT-AR-5518  
CABINET THERMISTOR CT-196-2-SOL

| *Parts Change With Serial Number Break |                      |                  |                    |  |                   |   |
|--|----------------------|------------------|--------------------|--|-------------------|---|
| ITEM No.                               | Description          | Inter-changeable | Previous Component | Hoshizaki Last Serial Number and Earlier | Current Component | Hoshizaki First Serial Number and Later |
| 4                                      | CONTROL MODULE       | YES              | CT-194-SOL-078     | L-00068 (K)                              | CT-198-SOL-138    | L-00542 (L)                             |
| 10                                     | EVAPORATOR FAN BLADE | YES              | FA-2-EBM           | L-00326 (F)                              | FA-2-SW           | L-01920 (H)                             |

# CONDENSING UNIT ASSEMBLY



# CONDENSING UNIT ASSEMBLY

| <i>Item No.</i> | <i>Description</i>                 | <i>Part No.</i>   | <i>Quantity per cooler</i> |
|-----------------|------------------------------------|-------------------|----------------------------|
| 1               | COMPRESSOR (1/3HP 115V/60HZ R-290) | EM2X3125U         | 1                          |
| 2               | EXTERNAL PROTECTOR (CP4TMC460N61)  | EL-2077-R         | 1                          |
| 3               | PTC RELAY (7M4R7MD3)               | EL-2076-R         | 1                          |
| 4               | ELECTRICAL BOX                     | EL-2078-R         | 1                          |
| 5               | RUN CAPACITOR (20 $\mu$ F 180V)    | CAP-20-180        | 1                          |
| 6               | CONDENSER                          | CO-453            | 1                          |
| 7               | CONDENSER BRACKET                  | OT-19783          | 1                          |
| 8               | CONDENSER FAN MOTOR                | FA-1-EBM          | 1                          |
| 9               | CONDENSER FAN BLADE                | FA-2-SW*          | 1                          |
| 10              | CONDENSER FAN MOTOR BRACKET        | FA-18             | 1                          |
| 11              | DRAIN PAN                          | DP-6              | 1                          |
| 12              | DRIER                              | DR-31-P           | 1                          |
| 13              | POWER CORD (9 ft)                  | OT-EL-1265-9-4784 | 1                          |

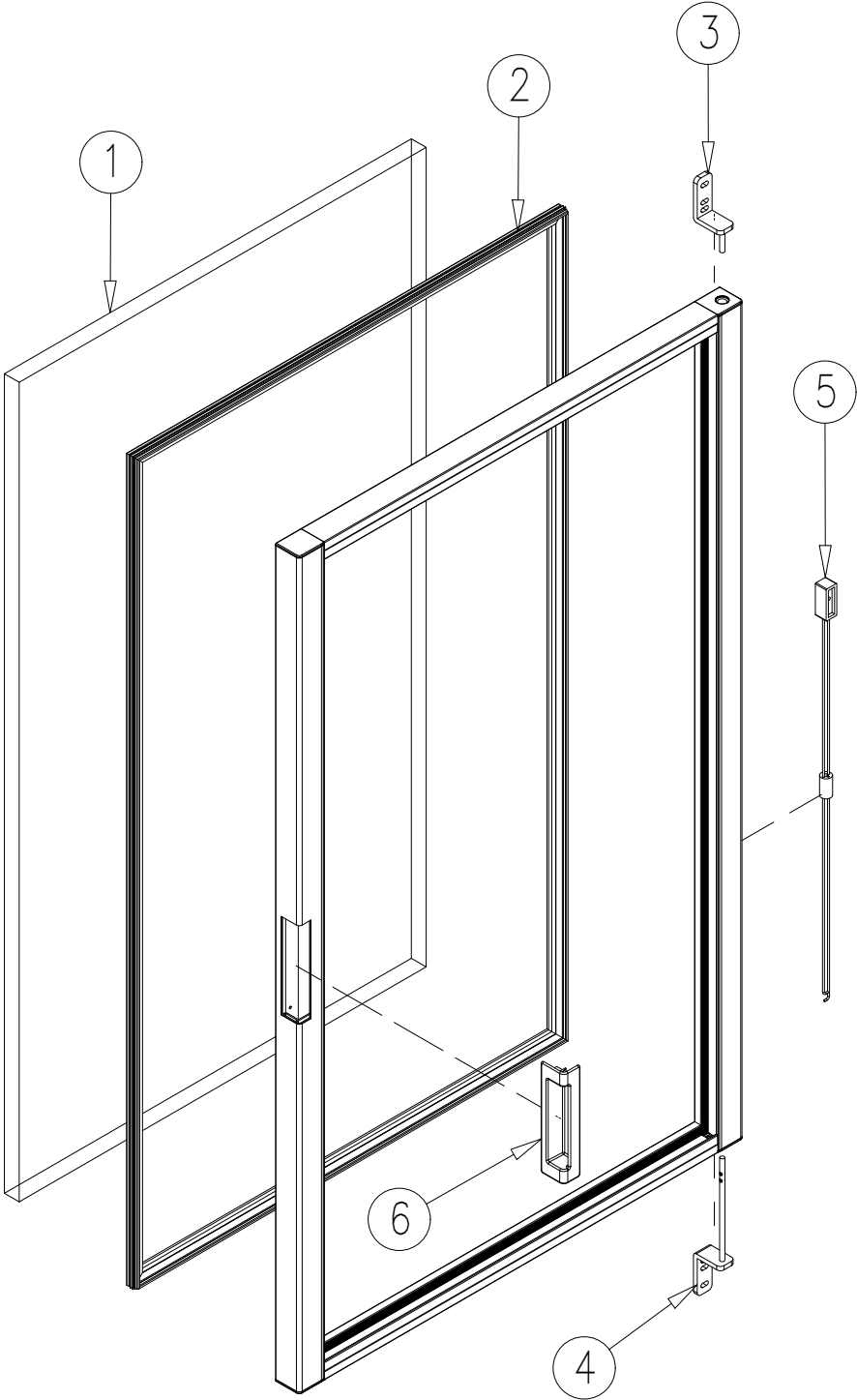
**\*Parts Change With Serial Number Break**

| ITEM No. | Description          | Interchangeable | Previous Component | Hoshizaki Last Serial Number and Earlier | Current Component | Hoshizaki First Serial Number and Later |
|----------|----------------------|-----------------|--------------------|--|-------------------|---|
| 9        | EVAPORATOR FAN BLADE | YES             | FA-2-EBM           | L-00326 (F)                              | FA-2-SW           | L-01920 (H)                             |



# DOOR ASSEMBLY

---



# DOOR ASSEMBLY

---

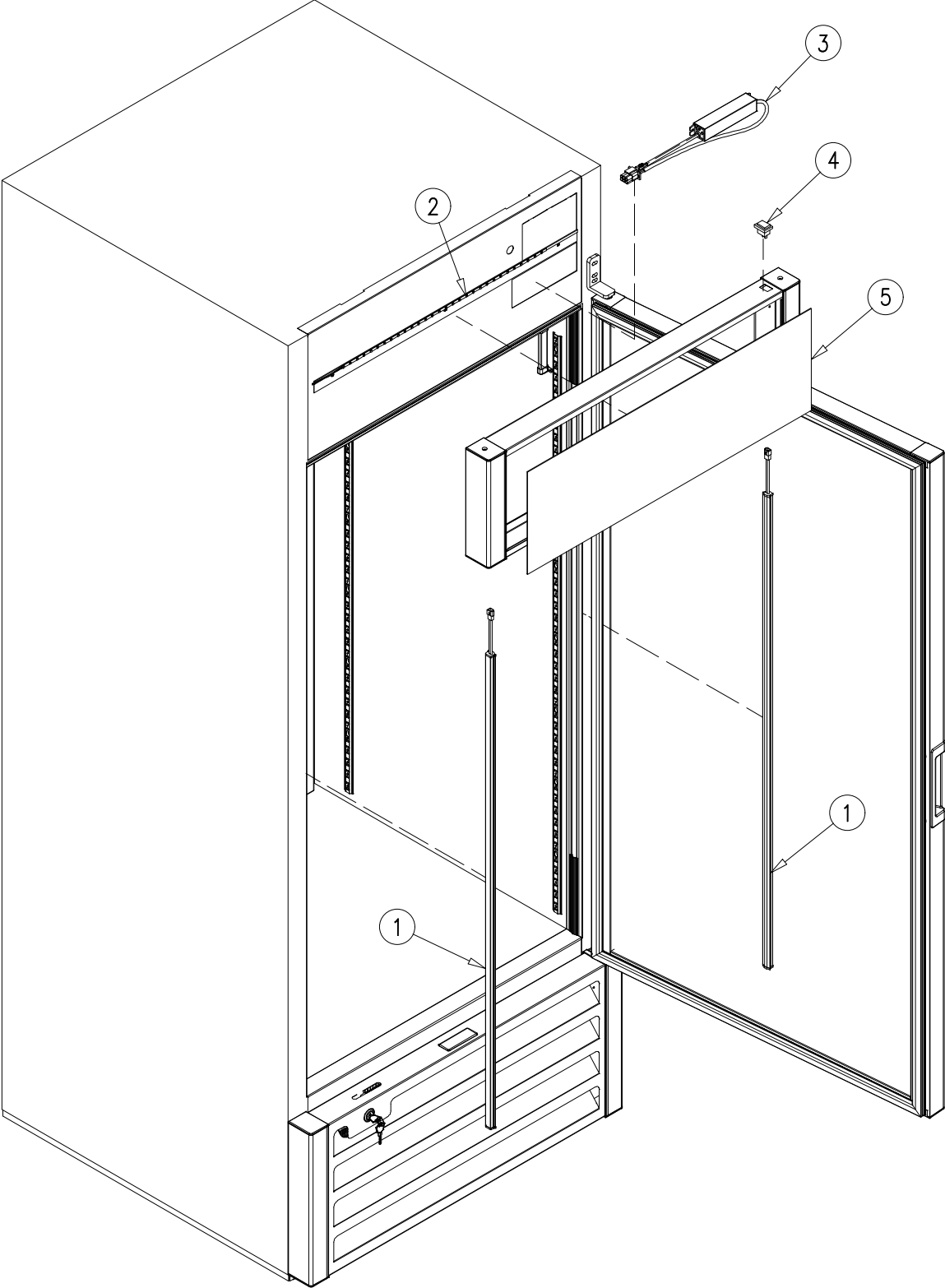
| <i>Item No.</i> | <i>Description</i>   | <i>Part No.</i>   | <i>Quantity per cooler</i> |
|-----------------|----------------------|-------------------|----------------------------|
| 1               | GLASS PANE           | GL-677-AD-EA      | 1                          |
| 2               | MAGNETIC GASKET      | OT-GA-900-PT-0638 | 1                          |
| 3               | UPPER HINGE ASSEMBLY | HA-535-R-K        | 1                          |
| 4               | LOWER HINGE ASSEMBLY | HA-522-R-K        | 1                          |
| 5               | TORSION MECHANISM    | HA-479            | 1                          |
| 6               | DOOR HANDLE          | HA-632-K*         | 1                          |

NOTE:

NOT REVERSIBLE DOOR

| *Parts Change With Serial Number Break |             |                 |                    |  |                   |   |
|--|-------------|-----------------|--------------------|--|-------------------|---|
| ITEM No.                               | Description | Interchangeable | Previous Component | Hoshizaki Last Serial Number and Earlier | Current Component | Hoshizaki First Serial Number and Later |
| 6                                      | DOOR HANDLE | NO              | OT-HA-676          | K-00908 (H)                              | HA-632-K          | L-00001 (A)                             |

# LIGHTING SYSTEM



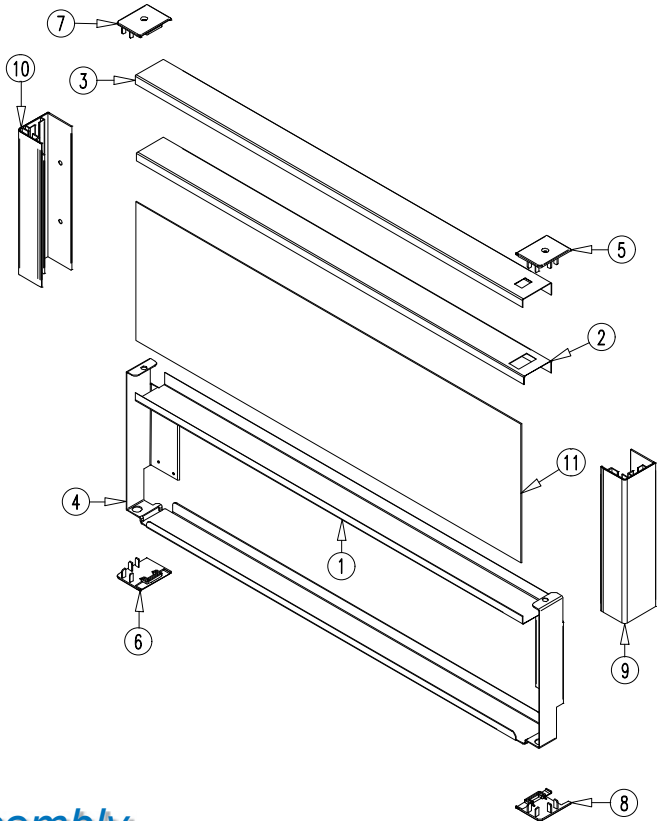
# LIGHTING SYSTEM

---

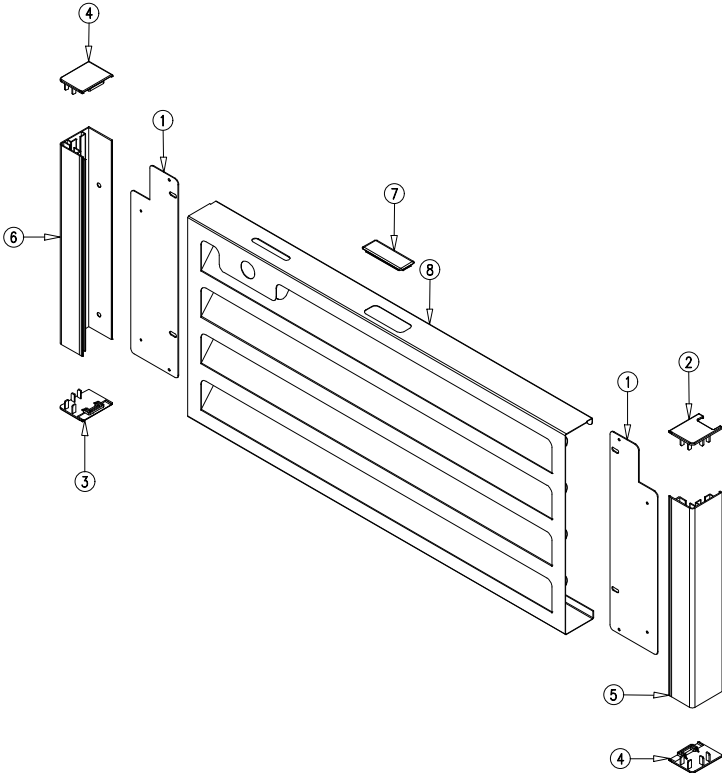
| <i>Item No.</i> | <i>Description</i>       | <i>Part No.</i> | <i>Quantity<br/>per cooler</i> |
|-----------------|--------------------------|-----------------|--------------------------------|
| 1               | LED LAMP STRIP (39 3/8") | EL-148          | 2                              |
| 2               | HIGH INTENSITY LED STRIP | EL-171-60       | 1                              |
| 3               | LED DRIVER (1.25 Amp.)   | OT-EL-151-T     | 1                              |
| 4               | LIGHT SWITCH             | EL-305          | 1                              |
| 5               | ACRYLIC HEADER SIGN      | ROT-0103        | 1                              |

# SIGN AND FRONT GRILL ASSEMBLY

## Sign Assembly



## Front Grill Assembly



# SIGN AND FRONT GRILL ASSEMBLY

---

## Sign Assembly

| <i>Item No.</i> | <i>Description</i>                         | <i>Part No.</i>        | <i>Quantity per cooler</i> |
|-----------------|--|------------------------|----------------------------|
| 1               | HEADER SIGN LOWER METAL SHEET              | OT-22459               | 1                          |
| 2               | HEADER SIGN UPPER HORIZONTAL REINFORCEMENT | OT-22460               | 1                          |
| 3               | HEADER SIGN UPPER METAL SHEET              | OT-23059               | 1                          |
| 4               | HEADER SIGN REINFORCEMENT                  | OT-24914               | 1                          |
| 5               | HEADER SIGN CORNER                         | PL-652-A               | 1                          |
| 6               | HEADER SIGN CORNER                         | PL-652-C               | 1                          |
| 7               | HEADER SIGN CORNER                         | PL-653-A               | 1                          |
| 8               | HEADER SIGN CORNER                         | PL-653-B               | 1                          |
| 9               | HEADER SIGN RIGHT PROFILE                  | OT-PL-654-GREY-8.781-R | 1                          |
| 10              | HEADER SIGN LEFT PROFILE                   | OT-PL-654-GREY-8.781-L | 1                          |
| 11              | HEADER SIGN PLASTIC                        | OT-ROT-0103            | 1                          |

## Front Grill Assembly

| <i>Item No.</i> | <i>Description</i>        | <i>Part No.</i>       | <i>Quantity per cooler</i> |
|-----------------|---------------------------|-----------------------|----------------------------|
| 1               | FRONT GRILL REINFORCEMENT | OT-23280              | 2                          |
| 2               | FRONT GRILL CORNER        | PL-652-B              | 1                          |
| 3               | FRONT GRILL CORNER        | PL-652-C              | 1                          |
| 4               | FRONT GRILL CORNER        | PL-653-C              | 2                          |
| 5               | FRONT GRILL RIGHT PROFILE | OT-PL-654-GREY-12.5-R | 1                          |
| 6               | FRONT GRILL LEFT PROFILE  | OT-PL-654-GREY-12.5-L | 1                          |
| 7               | FRONT GRILL CAP           | PL-662-BK             | 1                          |
| 8               | FRONT GRILL               | OT-24245              | 1                          |