



HOSHIZAKI

Parts Manual

Bottle Cooler Equipment

Models

CC50 S

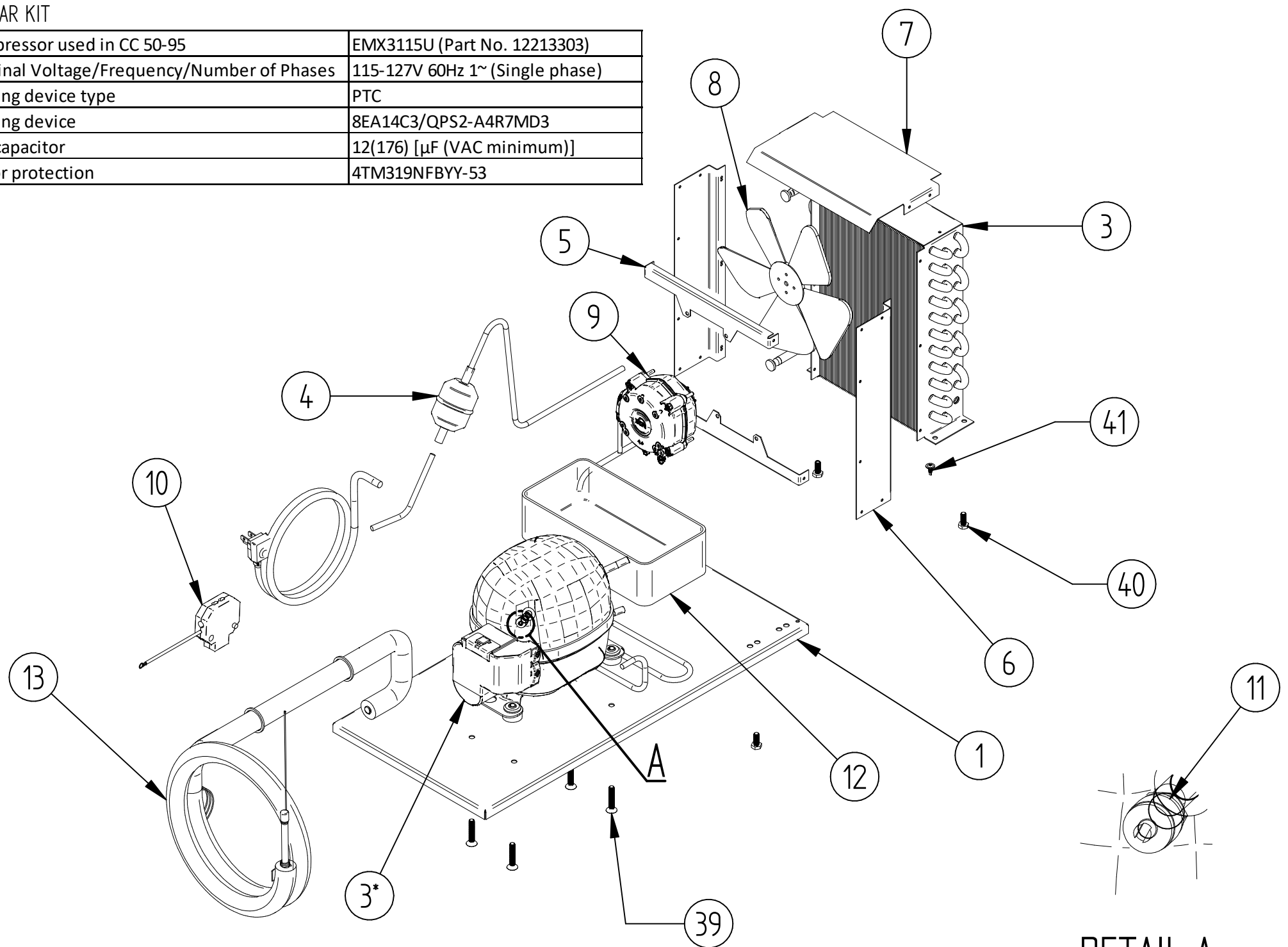
CC65 S

CC80 S

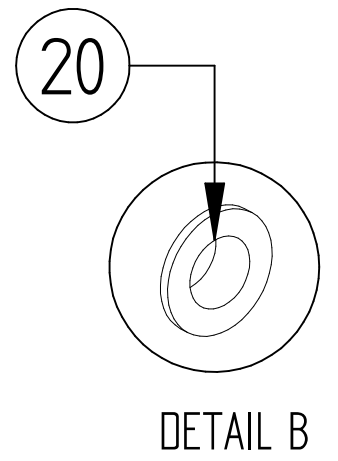
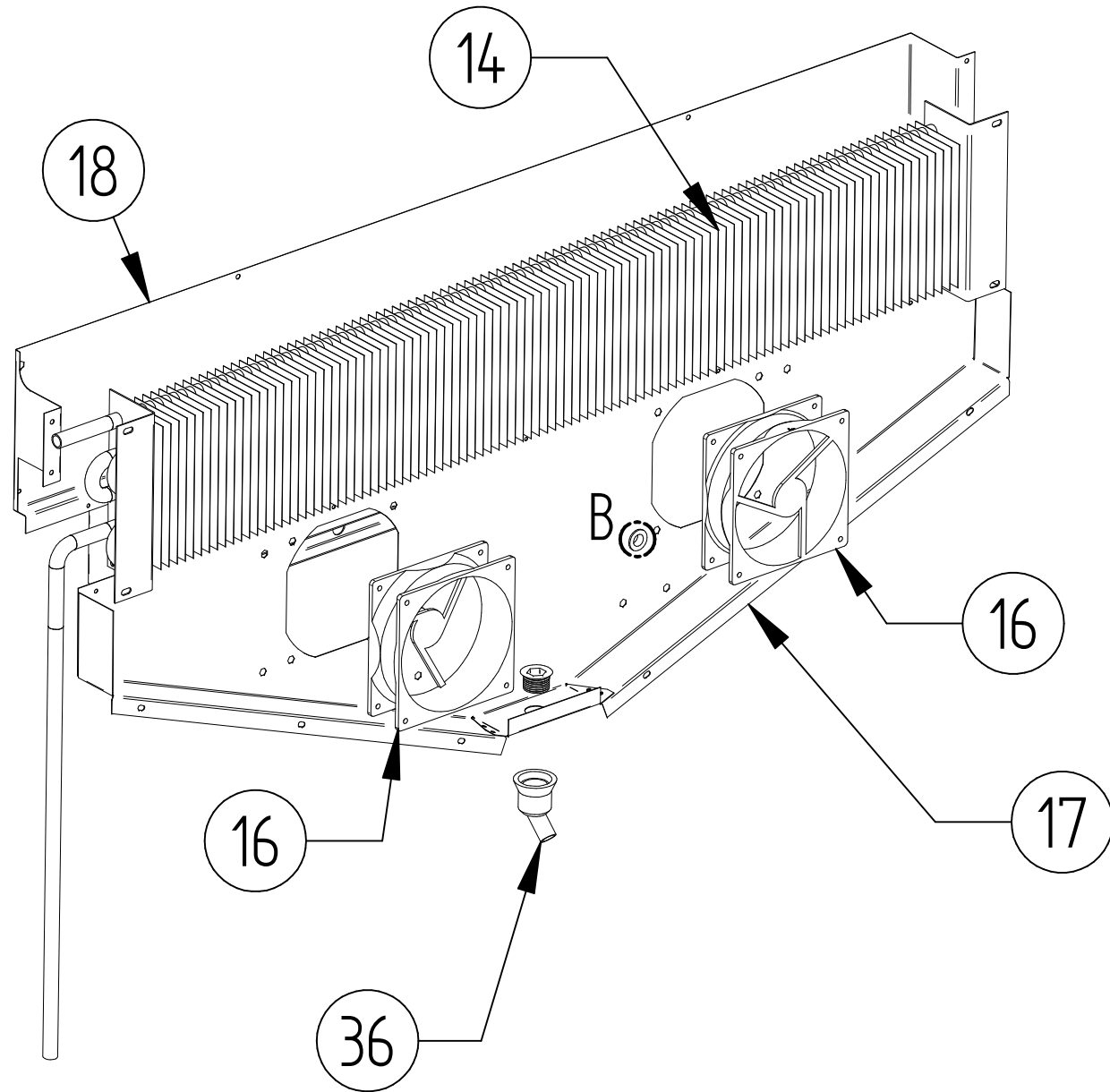
CC95 S

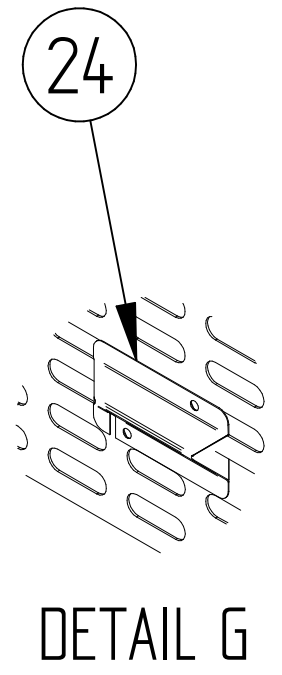
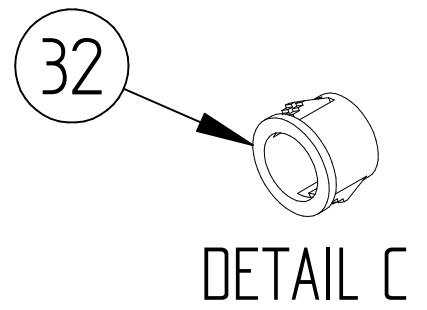
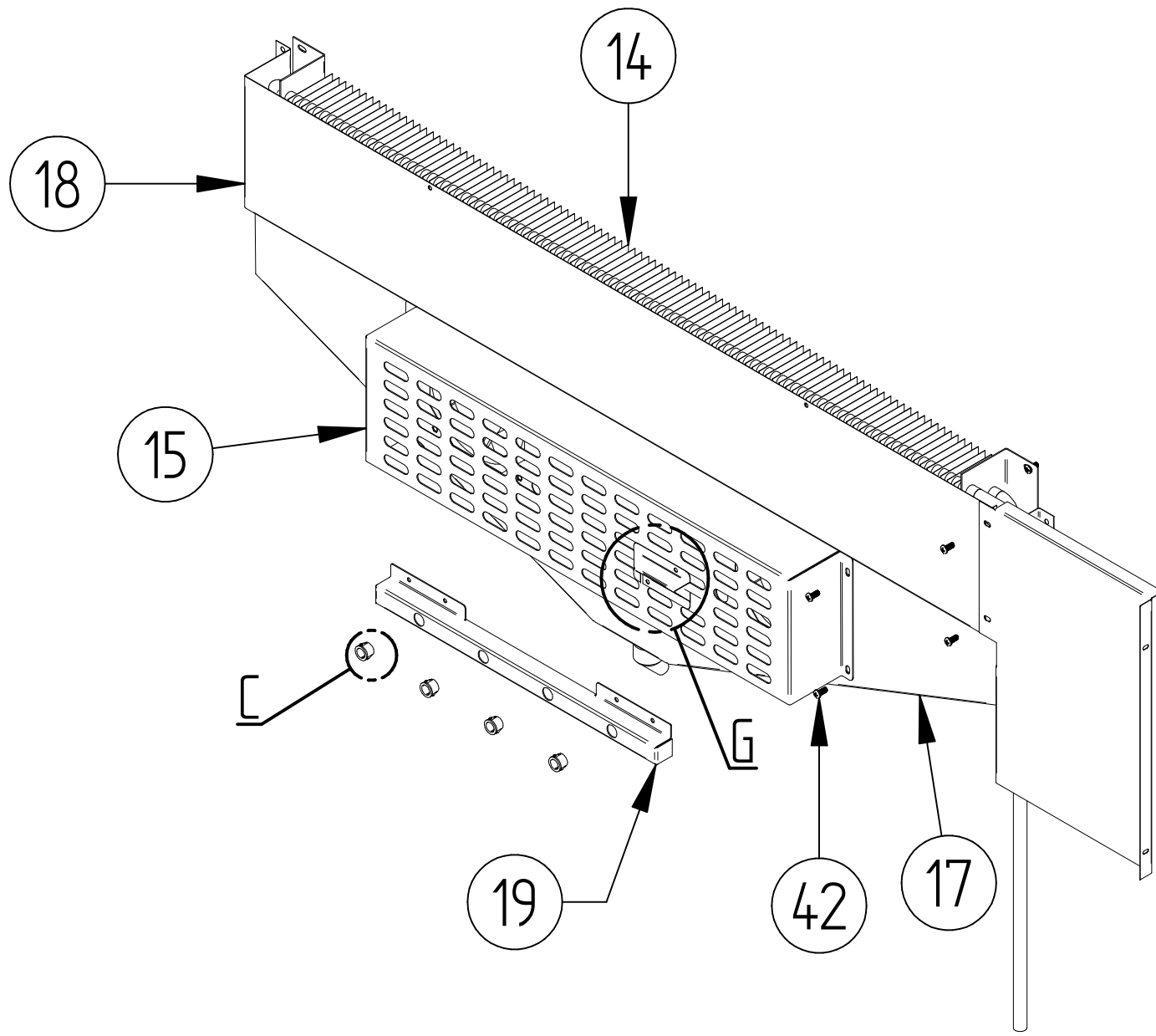
3* STAR KIT

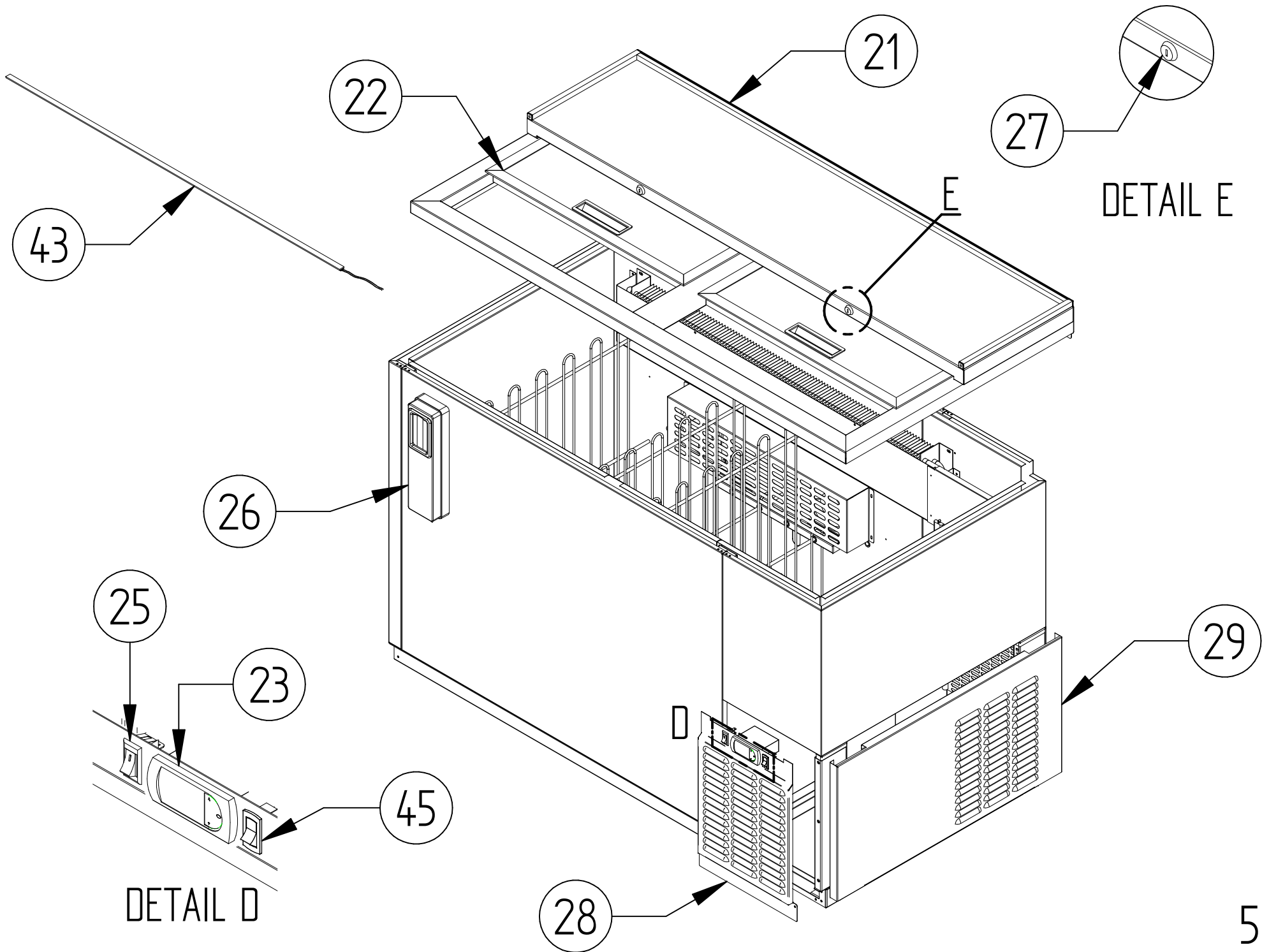
Compressor used in CC 50-95	EMX3115U (Part No. 12213303)
Nominal Voltage/Frequency/Number of Phases	115-127V 60Hz 1~ (Single phase)
Starting device type	PTC
Starting device	8EA14C3/QPS2-A4R7MD3
Run capacitor	12(176) [μ F (VAC minimum)]
Motor protection	4TM319NFBYY-53

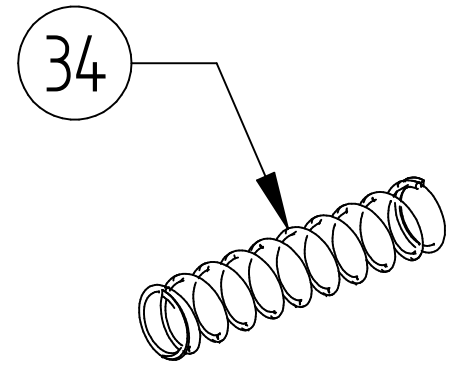
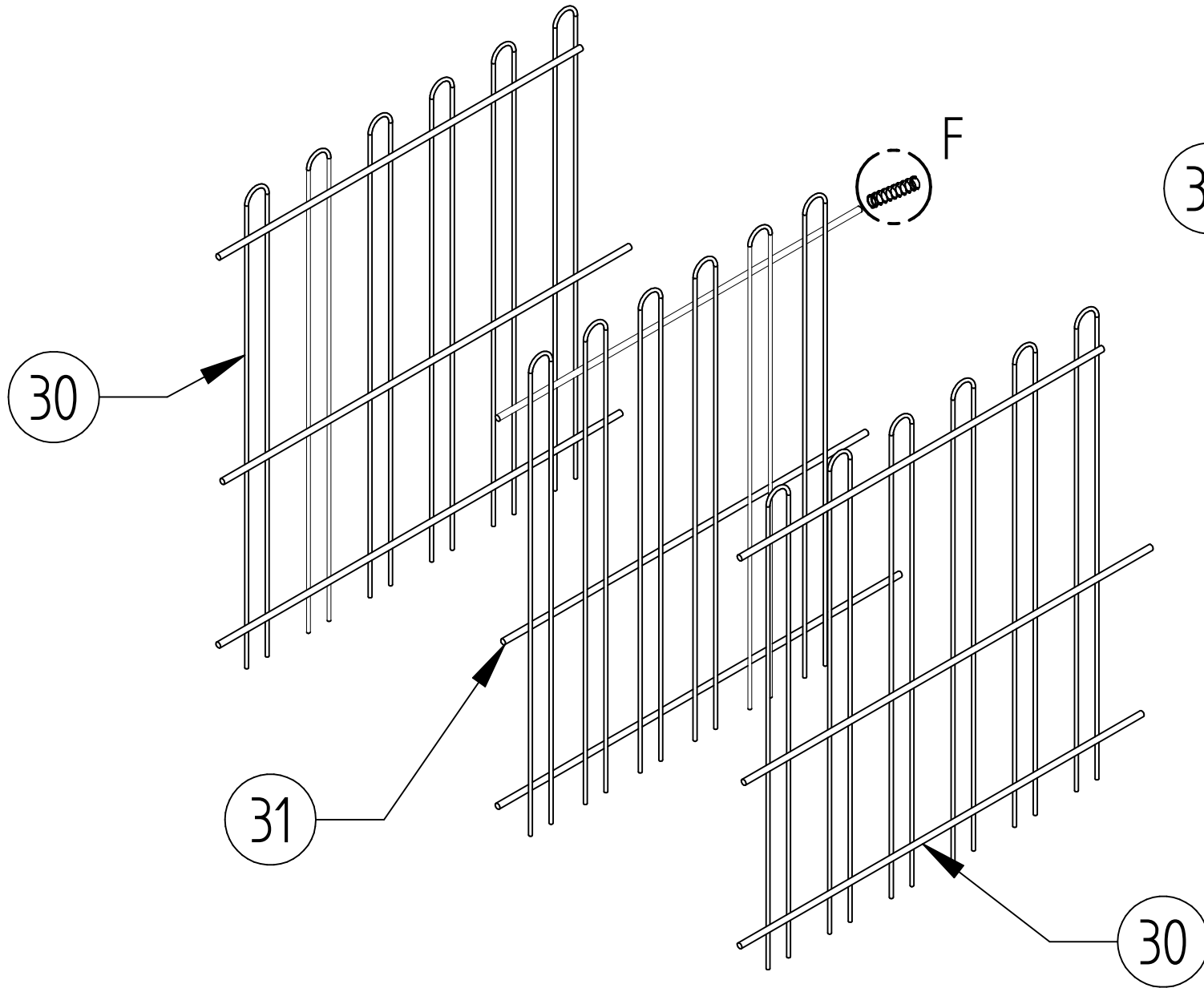


DETAIL A



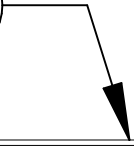




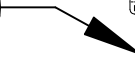


DETAIL F

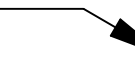
21



26



25



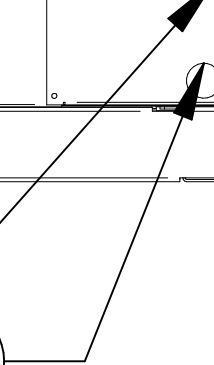
44



35



38



# ITEM	PART NUMBER	DESCRIPTION	CC50 S	CC65 S	CC80 S	CC95 S
Condensing Units						
	12233520	CONDENSING UNIT	1	1	1	1
1	12195746	DECK	1	1	1	1
2	12213303	COMPRESSOR 115V	1	1	1	1
	*	START KIT	1	1	1	1
3	12190809	CONDENSER	1	1	1	1
4	12188004	FILTER	1	1	1	1
5	12195824	FAN SUPPORT	2	2	2	2
6	12195825	SIDE FAN SUPPORT	2	2	2	2
7	12195828	TOP FAN SUPPORT	1	1	1	1
8	12190018	FAN BLADE	1	1	1	1
9	12190510	FAN	1	1	1	1
10	12200626	POWER CORD(SPIDER HUB)	1	1	1	1
11	12037369	SCHRADER VALVE	1	1	1	1
12	12189560	AUTOMATIC DRAIN PAN	1	1	1	1
13	12233430	HEAT EXCHANGER	1	1	1	1

# ITEM	PART NUMBER	DESCRIPTION	CC50 S	CC65 S	CC80 S	CC95 S
Evaporation Units						
	12233970	EVAPORATION UNIT	1			
14	12190774	EVAPORATOR COIL	1			
15	12194232	FAN GRID	1			
16	12191476	FAN	2			
17	12194615	EVAPORATION TRAY	1			
18	12194618	EVAPORATOR PROTECTOR	1			
19	12194233	GRID SUPPORT	1			
20	12189570	GROMMET	1			
	12233971	EVAPORATION UNIT		1	1	1
14	12190778	EVAPORATOR COIL		1	1	1
15	12194232	FAN GRID		1	1	1
16	12191476	FAN		2	2	2
17	12194234	EVAPORATION TRAY		1	1	1
18	12194230	EVAPORATOR PROTECTOR		1	1	1
19	12194233	GRID SUPPORT		1	1	1
20	12189570	GROMMET		1	1	1

# ITEM	PART NUMBER	DESCRIPTION	CC50 S	CC65 S	CC80 S	CC95 S
Top						
21	12204731	TOP 50"	1			
	12204732	TOP 65"		1		
	12204733	TOP 79"			1	
	12204726	TOP 95"				1
Doors & Others						
22	12201950	DOOR 50"	2			
	12201954	DOOR 65"		2		
	12201957	DOOR 79"			3	
	12203005	DOOR 95"				3
Controllers & Other						
23	12188079	CAREL CONTROLLER	1	1	1	1
24	12188080	PROBE NTC030HP00 CAREL	1	1	1	1
25	12190513	ROCKET SWITCH	1	1	1	1
Accessories						
26	12190077	CAP CATCHER	1	1	1	1
27	12190864	LOCK	2	2	3	3
	12194900	LOCK PIN	2	2	2	3
Panels						
28	12225217	FRONTAL PANEL SS	1	1	1	1
29	12225215	SIDE PANEL SS	1	1	1	1

# ITEM	PART NUMBER	DESCRIPTION	CC50 S	CC65 S	CC80 S	CC95 S
Grids						
30	12190664	LEFT/RIGHT GRID	2	3	4	4
31	12190665	CENTRAL GRID	1	1	1	1
32	12189964	PLASTIC GROMMET	30	46	60	2
33	12190644	SPRING	3	4	7	7
Drain & Other						
34	12190471	DRAIN HOSE	2.4	2.6	2.8	2.9
35	12190460	COUPLE FITTING	1	1	1	1
36	12191224	DRAIN	2	2	2	2
37	12189956	PLASTIC SEAL	2	2	2	2
38	12190036	GROMMET	2	2	2	1
39	12191519	SCREW M6x35	4	4	4	4
40	12191518	SCREW ALLEN M6X16	6	6	6	6
41	12191506	SCREW DRILL 8X1/2"	4	4	4	4
42	12189582	SCREW M4x10 SS	20	20	20	20
Lighting						
	12190588	LED LAMP 1M	1			
43	12190586	LED LAMP 1.2M		1		
	12190587	LED LAMP 1.4M			1	1
44	12190580	DRIVER LED	1	1	1	1
45	12037353	LIGHT SWITCH	1	1	1	1

HOSHIZAKI AMERICA, INC.

618 Hwy. 74 South, Peachtree City, GA 30269 USA (P) 770.487.2331 (F) 770.487.3360 hoshizakiamerica.com