



# C-80BAJ-(AD)DS

Self-Contained Cubelet Ice Machine  
with Built-In Storage Bin



C-80BAJ-(AD)DS  
01/31/18  
Item # 13229

Item #: \_\_\_\_\_  
Project: \_\_\_\_\_  
Qty: \_\_\_\_\_  
AIA#: \_\_\_\_\_

**W x D x H**  
**C-80BAJ / C-80BAJ-DS**  
**14<sup>7</sup>/<sub>8</sub>" x 22<sup>5</sup>/<sub>8</sub>" x 33<sup>1</sup>/<sub>2</sub>"**  
Shipping Dimensions 20<sup>3</sup>/<sub>4</sub>" x 30<sup>1</sup>/<sub>2</sub>" x 40"

**C-80BAJ-AD / C-80BAJ-ADDS**  
**14<sup>7</sup>/<sub>8</sub>" x 22<sup>5</sup>/<sub>8</sub>" x 31<sup>1</sup>/<sub>2</sub>"**  
Shipping Dimensions 20<sup>3</sup>/<sub>4</sub>" x 30<sup>1</sup>/<sub>2</sub>" x 38"

\* not including handle

(-AD) - ADA Compliant 

(-DS) - Customized Cabinet Door System



**C-80BAJ**  
Air-Cooled  
(Shown)

**C-80BAJ-AD**  
Air-Cooled  
ADA Compliant Unit



**C-80BAJ-DS\***  
with Custom Cabinetry  
(Shown)

**C-80BAJ-ADDS\***  
Air-Cooled  
ADA Compliant Unit

\*Customer responsible for providing cabinetry



## Features

- ▶ Full length stainless steel door handle
- ▶ UL approved for outdoor use
- ▶ Undercounter design

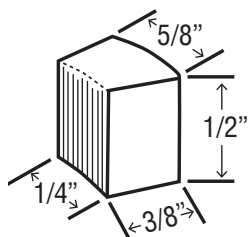
- Up to 80 lbs. of ice production per 24 hours
- Up to 22 lbs. of built-in storage capacity
- Power switch accessible without panel removal
- Less than 34 inches tall (C-80BAJ, C-80BAJ-DS)
- Less than 32 inches tall; ADA Compliant (C-80BAJ-AD, C-80BAJ-ADDS)
- Easily disassembled water circuit for easy cleaning
- Front in and out airflow
- Equipped with 6 ft. Cord with NEMA 5-15 Plug
- R-134A Refrigerant

### Warranty:

2 Year Parts & Labor on entire machine.  
1 Year Parts & Labor on HS-5061 Drain Pump Assembly.  
Valid in United States, Canada, Puerto Rico and U.S. Territories. Contact factory for warranty in other countries.

Condenser	Model	ICE PRODUCTION		WATER USAGE		ELECTRICAL						
		Air / Water Temp Lbs. per 24 hours 70°/50°F   90°/70°F		Potable Gal. per 100 lbs. 90°/70°F	Condenser Gal. per 100 lbs. 90°/70°F	kWh Used per 100 lbs. 90°/70°F	Max. Fuse Sz or HACR Circuit Bkr	Amperage	Voltage	Heat Rejection BTU/hr.	Refrigerant Charge Amount	Net / Ship Weight (lbs.)
Air	C-80BAJ(-DS)	80	45	12.0	N/A	17.3	15A	4.0A	115V/60/1	1,850	3.92 oz	118 / 130
Air	C-80BAJ-AD(-DS)	80	45	12.0	N/A	17.3	15A	4.0A	115V/60/1	1,850	3.92 oz	118 / 130

### Mini Cubelet Dimensions\*



\* approximate size in inches, image not to scale

### Operating Limits

- Ambient Temp Range 45 - 100°F
- Water Temp Range 45 - 90°F
- Water Pressure 7 - 113 PSIG
- Voltage Range 104-127V

### Service

- Allow enough clearance at rear for water and drain connections with 15" (38 cm) clearance in the front.
- Location must provide a firm and level foundation.
- Do not place near ovens, grills or other high heat producing equipment.

### Parts

- Optional Side Trim Kit: HS-0182
- Optional Top Trim Kit: HS-2133
- Optional Drain Pump Assembly: HS-5061
- Water filter: H9320-51

### Plumbing

- Icemaker Water Supply Line: Minimum 1/4" Nominal ID Copper Water Tubing or Equivalent
- Icemaker Drain Line: Minimum 1/2" Nominal ID Hard Pipe or Equivalent

### Water Filter

Please refer to water filter spec sheet for recommended configurations.

Hoshizaki reserves the right to change specifications without notice.



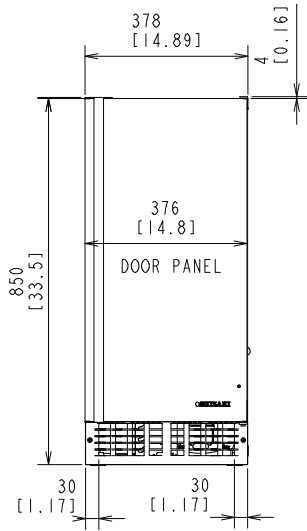
# C-80BAJ-(AD)DS

## Self-Contained Cubelet Ice Machine with Built-In Storage Bin

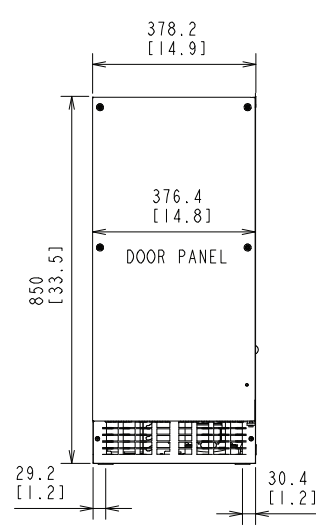


C-80BAJ-(AD)DS  
01/31/18  
Item # 13229

### FRONT VIEW



C-80BAJ\*

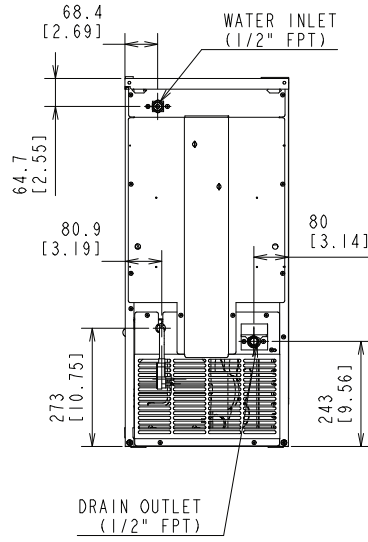


C-80BAJ-DS\*

mm  
[inch]

\* -AD models have height of 31.5"

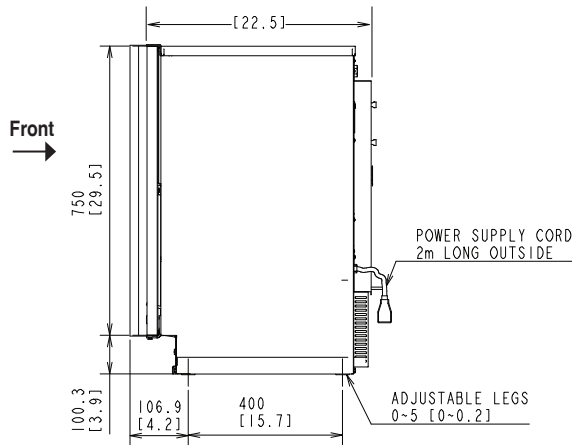
### REAR VIEW



C-80BAJ-(DS)\*

\* -AD models have height of 31.5"

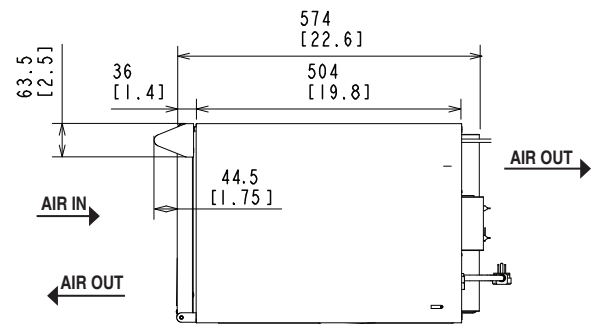
### SIDE VIEW



C-80BAJ\*

\* -AD models have height of 31.5"

### TOP VIEW



C-80BAJ\*