



GLO-RAY[®]

Food Warmer

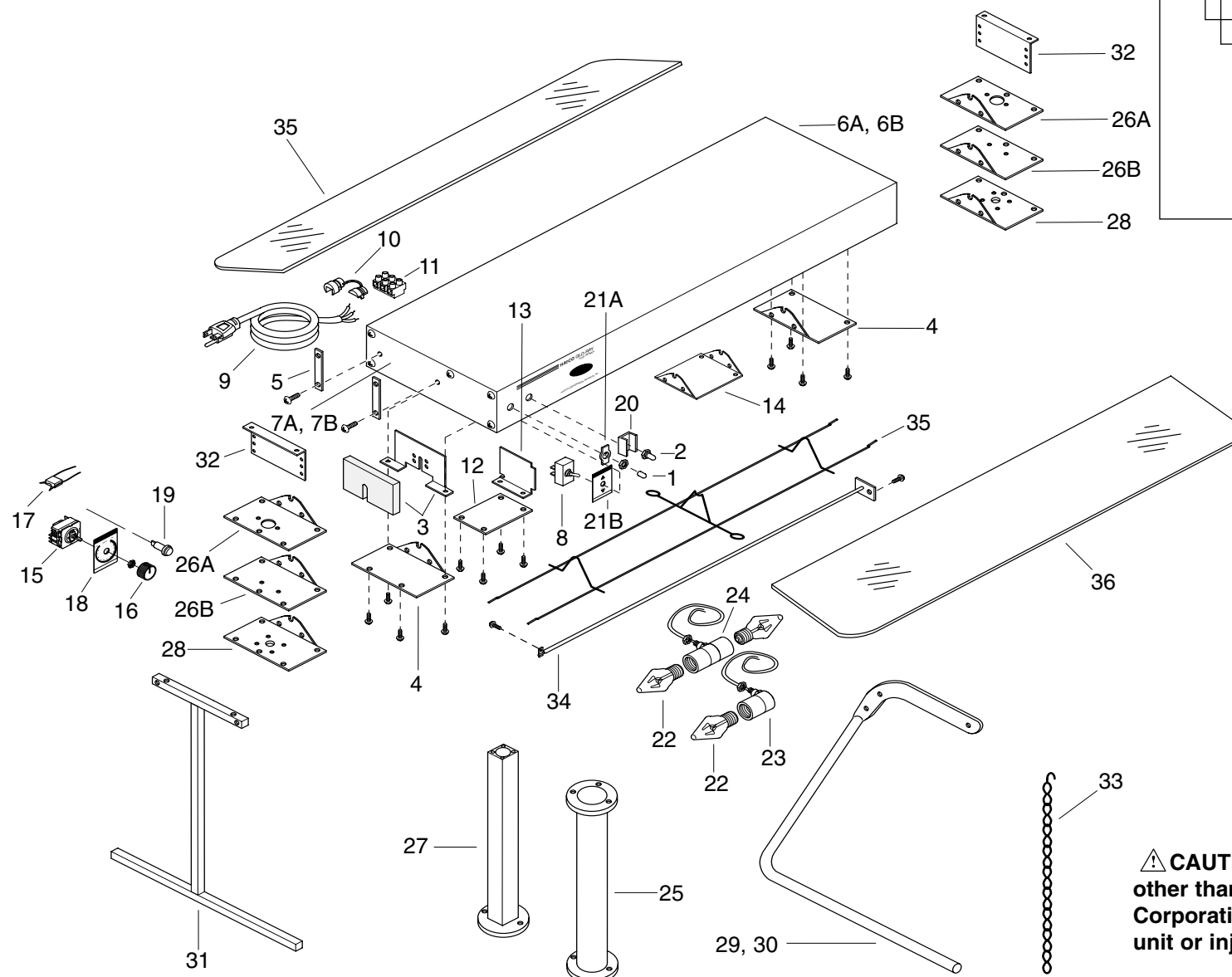
GR Series

<i>GR</i>	<i>GRAL</i>
<i>GRA</i>	<i>GRAH</i>
<i>GRH</i>	<i>GRAHL</i>

**REPLACEMENT
PARTS LIST**

HATCO GLO-RAY® FOOD WARMER SERIES

Model Designation	
GRAHL-XXT	
—	Glo
—	Ray
—	Aluminum
—	High Wattage
—	Lights
—	Length (inches)
—	Tandem (Heating elements mounted end to end)



⚠ CAUTION - Use of replacement parts other than those supplied by Hatco Corporation may result in damage to the unit or injury to personnel.

PARTS COMMON TO ALL MODELS

ITEM	DESCRIPTION	PART NO.	QTY.	ITEM	DESCRIPTION	PART NO.	QTY.
1	Rubber Boot for Toggle Switch, Slip On	02.20.283.00	1	3	Backup Element Support Plate with Insulation	R04.09.056.00	2
2	Rubber Boot for Toggle Switch, Threaded (optional)	02.20.040.00	1	4	Bottom End Cover	04.08.055.00	2
				5	Hanger Tab	04.08.042.00	4

PARTS SPECIFIC TO ALL MODELS

ITEM	DESCRIPTION	100V	120V	208V	240V	220E	240E	220-230CE	230-240CE
6A	End Plate, RH 6" (15 cm)•	04.09.051.00	04.09.051.00	04.09.051.00	04.09.051.00	04.09.051.00	04.09.051.00	04.09.051.00	04.09.051.00
6B	End Plate, RH 9" (23 cm) (Lighted Unit)•	04.09.114.00	04.09.114.00	04.09.114.00	04.09.114.00	04.09.114.00	04.09.114.00	04.09.114.00	04.09.114.00
7A	End Plate, LH 6" (15 cm), with Grounding Bracket•	04.09.057.00	04.09.057.00	04.09.057.00	04.09.057.00	04.09.057.00	04.09.057.00	04.09.057.00	04.09.057.00
7B	End Plate, 9" (23 cm) LH (Lighted Unit)	04.09.115.00	04.09.115.00	04.09.115.00	04.09.115.00	04.09.115.00	04.09.115.00	04.09.115.00	04.09.115.00
8	Toggle Switch (Qty. 1-2)	R02.19.016.00	R02.19.016.00	R02.19.008A.00	R02.19.008A.00	R02.19.008A.00	R02.19.008A.00	R02.19.008A.00	R02.19.008A.00
9	Cord and Plug*	---	R02.18.030.00	---	---	---	---	---	---
10	Cord Grip	---	02.20.206.00	---	---	---	---	---	---
11	Terminal Block	---	---	---	---	---	---	R02.15.030.00	R02.15.030.00
12	Cover Plate, 4" (10 cm) (Lighted Unit)	04.11.003.00	04.11.003.00	04.11.003.00	04.11.003.00	04.11.003.00	04.11.003.00	04.11.003.00	04.11.003.00
13	Cover Plate, Support LH (Lighted Unit)	04.09.134.00	04.09.134.00	04.09.134.00	04.09.134.00	04.09.134.00	04.09.134.00	04.09.134.00	04.09.134.00
14	Tandem Center Cover (Qty. 2)	04.08.049.00	04.08.049.00	04.08.049.00	04.08.049.00	04.08.049.00	04.08.049.00	04.08.049.00	04.08.049.00

Shaded area reflects export models only.

• Not Shown

* Cord and plug set available on 120 Volt models up to 6' (183 cm) with C-Leg or T-Leg stand only.

PARTS OPTIONAL TO ALL MODELS

ITEM	DESCRIPTION	100V	120V	208V	240V	220E	240E	220-230CE	230-240CE
15	Infinite Switch with Knob	R02.19.160.00	R02.19.018.00	R02.19.017.00	R02.19.019.00	R02.19.019.00	R02.19.019.00	R02.19.019.00	R02.19.019.00
16	Knob, Infinite Switch	05.30.043.00	05.30.043.00	05.30.043.00	05.30.043.00	05.30.043.00	05.30.043.00	05.30.043.00	05.30.043.00
17	Noise Suppression	---	---	---	---	---	---	02.13.306.00	02.13.306.00
18	Infinite Switch Plate	07.01.034.00	07.01.034.00	07.01.034.00	07.01.034.00	07.01.034.00	07.01.034.00	07.01.034.00	07.01.034.00
19	Indicator Light, Red	02.19.154.00	02.19.154.00	02.19.151.00	02.19.151.00	---	---	---	---
	Indicator Light, Green	---	---	---	---	02.19.150.00	02.19.150.00	02.19.150.00	02.19.150.00
20	Switch Guard - Toggle	04.08.240.00	04.08.240.00	04.08.240.00	04.08.240.00	04.08.240.00	04.08.240.00	04.08.240.00	04.08.240.00
21A	Toggle Switch On/Off Indicator	07.01.058.00	07.01.058.00	07.01.058.00	07.01.058.00	07.01.058.00	07.01.058.00	07.01.214.00	07.01.214.00
21B	Toggle Switch Plate	07.01.035.00	07.01.035.00	07.01.035.00	07.01.035.00	07.01.035.00	07.01.035.00	07.01.035.00	07.01.035.00
22	Light Bulb, Coated, 60 Watt	02.30.043.00	02.30.043.00	02.30.043.00†	02.30.043.00†	02.30.058.00	02.30.058.00	02.30.058.00	02.30.058.00
23	Light Socket (Single) with Leads	02.30.044.00	02.30.044.00	02.30.044.00	02.30.044.00	02.30.044.00	02.30.044.00	02.30.044.00	02.30.044.00
24	Light Socket (Double) with Leads	02.30.045.00	02.30.045.00	02.30.045.00	02.30.045.00	02.30.045.00	02.30.045.00	02.30.045.00	02.30.045.00

Shaded area reflects export models only.

† 120 Volt circuit for light only.

MOUNTING PARTS OPTIONAL TO ALL MODELS

ITEM	DESCRIPTION	PART NO.	QTY.	ITEM	DESCRIPTION	PART NO.	QTY.
25	S.S. Adjustable Tubular Stand 10"-14" (25-36 cm)	R04.08.047.00	2	29	C-Legs Stands, Standard Watt 10" (25 cm) Clearance for Models Up to 6' (183 cm)	R04.08.043.00	2*
26A	End Cover - Power Supply Adjustable Tubular Stand	04.09.060A.00	1	30	C-Legs Stands, High Watt 13-1/2" (34 cm) Clearance	R04.08.071.00	2*
26B	End Cover - Adjustable Tubular Stand	04.09.060B.00	1	31	T-Leg Stands, Standard Watt 10" (25 cm) Clearance	R04.08.076.00	2*
27	Non-Adjustable Tubular Stand, 10" (25 cm)	R00.05.0020.00	2		T-Leg Stands, High Watt, 13-1/2" (34 cm) Clearance	R04.08.075.00	2*
	Non-Adjustable Tubular Stand, 12" (30 cm)	R00.05.0022.00	2		T-Leg Stands, 16" (41 cm) Clearance	R04.08.074.00	2*
	Non-Adjustable Tubular Stand, 14" (36 cm)	R00.05.0024.00	2		T-Leg Stands, 18" (46 cm) Clearance	R04.08.073.00	2*
	Non-Adjustable Tubular Stand, 16" (41 cm)	R00.05.0026.00	2	32	Adjustable Angle Bracket	04.08.050.00	2
28	End Cover - Non-Adjustable Tubular Stand	04.08.061.00	2	33	Chain #12 Sold By the Foot	05.03.021.00	
					Chain #14 Sold By the Foot	05.03.020.00	

NOTE: S.S. is an abbreviation for stainless steel.

* Available only for 120 Volt units, less than 6' (183 cm) in length with a power cord and plug set attached.

Heating Elements and Wire Guards for Models GR, GRA, GRAL - Standard Wattage

ITEM	DESCRIPTION	100V	120V	208V	240V	220E	240E	220-230CE	230-240CE
34	18 Element 250 Watt	---	R02.08.031.00	R02.08.040.00	R02.08.035.00	R02.08.037.00	R02.08.035.00	R02.08.037.00	R02.08.035.00
35	18 Element Wire Guard	---	04.08.039.00	04.08.039.00	04.08.039.00	04.08.039.00	04.08.039.00	04.08.039.00	04.08.039.00
34	24 Element 350 Watt	---	R02.08.001.00	R02.08.002.00	R02.08.003.00	R02.08.041.00	R02.08.003.00	R02.08.041.00	R02.08.003.00
35	24 Element Wire Guard	---	04.08.030.00	04.08.030.00	04.08.030.00	04.08.030.00	04.08.030.00	04.08.030.00	04.08.030.00
34	30 Element 450 Watt	---	R02.08.026.00	R02.08.027.00	R02.08.028.00	R02.08.042.00	R02.08.028.00	R02.08.042.00	R02.08.028.00
35	30 Element Wire Guard	---	04.08.029.00	04.08.029.00	04.08.029.00	04.08.029.00	04.08.029.00	04.08.029.00	04.08.029.00
34	36 Element 575 Watt	---	R02.08.004.00	R02.08.005.00	R02.08.006.00	R02.08.043.00	R02.08.006.00	R02.08.043.00	R02.08.006.00
35	36 Element Wire Guard	---	04.08.031.00	04.08.031.00	04.08.031.00	04.08.031.00	04.08.031.00	04.08.031.00	04.08.031.00
34	42 Element 675 Watt	---	R02.08.007.00	R02.08.008.00	R02.08.009.00	R02.08.039.00	R02.08.009.00	R02.08.039.00	R02.08.009.00
35	42 Element Wire Guard	---	04.08.032.00	04.08.032.00	04.08.032.00	04.08.032.00	04.08.032.00	04.08.032.00	04.08.032.00
34	48 Element 800 Watt	---	R02.08.010.00	R02.08.011.00	R02.08.012.00	R02.08.045.00	R02.08.012.00	R02.08.045.00	R02.08.012.00
35	48 Element Wire Guard	---	04.08.033.00	04.08.033.00	04.08.033.00	04.08.033.00	04.08.033.00	04.08.033.00	04.08.033.00
34	54 Element 925 Watt	---	R02.08.025.00	R02.08.029.00	R02.08.030.00	R02.08.046.00	R02.08.030.00	R02.08.046.00	R02.08.030.00
35	54 Element Wire Guard	---	04.08.038.00	04.08.038.00	04.08.038.00	04.08.038.00	04.08.038.00	04.08.038.00	04.08.038.00
34	60 Element 1050 Watt	---	R02.08.013.00	R02.08.014.00	R02.08.015.00	R02.08.047.00	R02.08.015.00	R02.08.047.00	R02.08.015.00
35	60 Element Wire Guard	---	04.08.034.00	04.08.034.00	04.08.034.00	04.08.034.00	04.08.034.00	04.08.034.00	04.08.034.00
34	66 Element 1160 Watt	---	R02.08.032.00	R02.08.033.00	R02.08.034.00	R02.08.048.00	R02.08.034.00	R02.08.048.00	R02.08.034.00
35	66 Element Wire Guard	---	04.08.040.00	04.08.040.00	04.08.040.00	04.08.040.00	04.08.040.00	04.08.040.00	04.08.040.00
34	72 Element 1275 Watts	---	R02.08.016.00	R02.08.017.00	R02.08.018.00	R02.08.049.00	R02.08.018.00	R02.08.049.00	R02.08.018.00
35	72 Element Wire Guard	---	04.08.035.00	04.08.035.00	04.08.035.00	04.08.035.00	04.08.035.00	04.08.035.00	04.08.035.00
34	84 Element 1500 Watt	---	R02.08.019.00	R02.08.020.00	R02.08.021.00	R02.08.050.00	R02.08.021.00	R02.08.050.00	R02.08.021.00
35	84 Element Wire Guard (Female)	---	04.08.036F.00	04.08.036F.00	04.08.036F.00	04.08.036F.00	04.08.036F.00	04.08.036F.00	04.08.036F.00
35	84 Element Wire Guard (Male)	---	04.08.036M.00	04.08.036M.00	04.08.036M.00	04.08.036M.00	04.08.036M.00	04.08.036M.00	04.08.036M.00
34	GRA-84 1350 Watt (Qty. 2)*	---	R02.08.007.00	---	---	---	---	---	---
35	GRA-84 Wire Guard (Qty. 2)*	---	04.08.032.00	---	---	---	---	---	---
34	96 Element 1725 Watt	---	R02.08.022.00	R02.08.023.00	R02.08.024.00	R02.08.051.00	R02.08.024.00	R02.08.051.00	R02.08.024.00
35	96 Element Wire Guard (Female)	---	04.08.037F.00	04.08.037F.00	04.08.037F.00	04.08.037F.00	04.08.037F.00	04.08.037F.00	04.08.037F.00
35	96 Element Wire Guard (Male)	---	04.08.037M.00	04.08.037M.00	04.08.037M.00	04.08.037M.00	04.08.037M.00	04.08.037M.00	04.08.037M.00
34	GRA-96 1600 Watt (Qty. 2)*	---	R02.08.010.00	---	---	---	---	---	---
35	GRA-96 Wire Guard (Qty. 2)*	---	04.08.033.00	---	---	---	---	---	---
	Electrical Diagram	---	HS1-1442	HS1-1442	HS1-1442	HS1-3164	HS1-3165	HS1-4234	HS1-4235

Shaded area reflects export models only.

*Tandem - Heating elements mounted end to end.

NOTE: Model number is the foodwarmer housing length in inches, not the heating element length.

Heating Elements and Wire Guards for Models GRA and GRAL - Standard Wattage - Tandem Units

ITEM	DESCRIPTION	100V	120V	208V	240V	220E	240E	220-230CE	230-240CE
34	GRA-108 1850 Watt (Qty. 2)⊗	---	R02.08.025.00	R02.08.029.00	R02.08.030.00	R02.08.046.00	R02.08.030.00	---	---
35	GRA-108 Wire Guard (Qty. 2)⊗	---	04.08.038.00	04.08.038.00	04.08.038.00	04.08.038.00	04.08.038.00	---	---
34	GRA-120 2800 Watt (Qty. 2)⊗	---	R02.08.013.00	R02.08.014.00	R02.08.015.00	R02.08.047.00	R02.08.015.00	---	---
35	GRA-120 Wire Guard (Qty. 2)⊗	---	04.08.034.00	04.08.034.00	04.08.034.00	04.08.034.00	04.08.034.00	---	---
34	GRA-132 2320 Watt (Qty.2)⊗	---	R02.08.032.00	R02.08.033.00	R02.08.034.00	R02.08.048.00	R02.08.034.00	---	---
35	GRA-132 Wire Guard (Qty. 2)⊗	---	04.08.040.00	04.08.040.00	04.08.040.00	04.08.040.00	04.08.040.00	---	---
34	GRA-144 2550 Watt (Qty. 2)⊗	---	R02.08.016.00	R02.08.017.00	R02.08.018.00	R02.08.049.00	R02.08.018.00	---	---
35	GRA-144 Wire Guard (Qty. 2)⊗	---	04.08.035.00	04.08.035.00	04.08.035.00	04.08.035.00	04.08.035.00	---	---
	Electrical Diagram	---	HS1-2499	HS1-2499	HS1-2499	HS1-2499	HS1-2499	---	---

Shaded area reflects export models only.

⊗Tandem - Heating elements mounted end to end.

NOTE: Model number is the foodwarmer housing length in inches, not the heating element length.

Heating Elements and Wire Guards for Models GRH, GRAH & GRAHL - High Wattage

ITEM	DESCRIPTION	100V	120V	208V	240V	220E	240E	220-230CE	230-240CE
34	18 Element 350 Watt	R02.08.126.00	R02.08.126.00	R02.08.137.00	R02.08.135.00	R02.08.138.00	R02.08.135.00	R02.08.138.00	R02.08.135.00
35	18 Element Wire Guard	04.08.039.00	04.08.039.00	04.08.039.00	04.08.039.00	04.08.039.00	04.08.089.00	04.08.039.00	04.08.039.00
34	24 Element 500 Watt	R02.08.561.00	R02.08.101.00	R02.08.102.00	R02.08.103.00	R02.08.136.00	R02.08.103.00	R02.08.136.00	R02.08.103.00
35	24 Element Wire Guard	04.08.030.00	04.08.030.00	04.08.030.00	04.08.030.00	04.08.030.00	04.08.030.00	04.08.030.00	04.08.030.00
34	30 Element 660 Watt	R02.08.562.00	R02.08.127.00	R02.08.128.00	R02.08.129.00	R02.08.139.00	R02.08.129.00	R02.08.139.00	R02.08.129.00
35	30 Element Wire Guard	04.08.029.00	04.08.029.00	04.08.029.00	04.08.029.00	04.08.029.00	04.08.029.00	04.08.029.00	04.08.029.00
34	36 Element 800 Watt	R02.08.563.00	R02.08.104.00	R02.08.105.00	R02.08.106.00	R02.08.140.00	R02.08.106.00	R02.08.140.00	R02.08.106.00
35	36 Element Wire Guard	04.08.031.00	04.08.031.00	04.08.031.00	04.08.031.00	04.08.031.00	04.08.031.00	04.08.031.00	04.08.031.00
34	42 Element 950 Watts	R02.08.564.00	R02.08.107.00	R02.08.108.00	R02.08.109.00	R02.08.141.00	R02.08.109.00	R02.08.141.00	R02.08.109.00
35	42 Element Wire Guard	04.08.032.00	04.08.032.00	04.08.032.00	04.08.032.00	04.08.032.00	04.08.032.00	04.08.032.00	04.08.032.00
34	48 Element 1100 Watt	R02.08.566.00	R02.08.110.00	R02.08.111.00	R02.08.112.00	R02.08.142.00	R02.08.112.00	R02.08.142.00	R02.08.112.00
35	48 Element Wire Guard	04.08.033.00	04.08.033.00	04.08.033.00	04.08.033.00	04.08.033.00	04.08.033.00	04.08.033.00	04.08.033.00
34	54 Element 1250 Watt	---	R02.08.125.00	R02.08.130.00	R02.08.131.00	R02.08.143.00	R02.08.131.00	R02.08.143.00	R02.08.131.00
35	54 Element Wire Guard	---	04.08.038.00	04.08.038.00	04.08.038.00	04.08.038.00	04.08.038.00	04.08.038.00	04.08.038.00
34	60 Element 1400 Watt	---	R02.08.113.00	R02.08.114.00	R02.08.115.00	R02.08.144.00	R02.08.115.00	R02.08.144.00	R02.08.115.00
35	60 Element Wire Guard	---	04.08.034.00	04.08.034.00	04.08.034.00	04.08.034.00	04.08.034.00	04.08.034.00	04.08.034.00
34	66 Element 1560 Watt	---	R02.08.132.00	R02.08.133.00	R02.08.134.00	R02.08.145.00	R02.08.134.00	R02.08.145.00	R02.08.134.00
35	66 Element Wire Guard	---	04.08.040.00	04.08.040.00	04.08.040.00	04.08.040.00	04.08.040.00	04.08.040.00	04.08.040.00
34	GRAH-66 1460 Watt✘	---	R02.08.104.00	---	---	---	---	---	---
35	GRAH-66 Wire Guard 36" (91 cm)✘	---	04.08.031.00	---	---	---	---	---	---
34	GRAH-66 Element 30"✘	---	R02.08.127.00	---	---	---	---	---	---
35	GRAH-66 Wire Guard 30" (76 cm)✘	---	04.08.029.00	---	---	---	---	---	---
34	72 Element 1725 Watt	---	R02.08.116.00	R02.08.117.00	R02.08.118.00	R02.08.148.00	R02.08.118.00	R02.08.148.00	R02.08.118.00
35	72 Element Wire Guard	---	04.08.035.00	04.08.035.00	04.08.035.00	04.08.035.00	04.08.035.00	04.08.035.00	04.08.035.00
34	GRAH-72 1600 Watt (Qty. 2)✘	---	R02.08.104.00	---	---	---	---	---	---
35	GRAH-72 Wire Guard (Qty. 2)✘	---	04.08.031.00	---	---	---	---	---	---
34	84 Element 2050 Watt	---	---	R02.08.120.00	R02.08.121.00	R02.08.149.00	R02.08.121.00	R02.08.149.00	R02.08.121.00
35	84 Element Wire Guard (Female)	---	---	04.08.036F.00	04.08.036F.00	04.08.036F.00	04.08.036F.00	04.08.036F.00	04.08.036F.00
35	84 Element Wire Guard (Male)	---	---	04.08.036M.00	04.08.036M.00	04.08.036M.00	04.08.036M.00	04.08.036M.00	04.08.036M.00
34	GRAH-84 1900 Watt (Qty. 2)✘	---	R02.08.107.00	---	---	---	---	---	---
35	GRAH-84 Wire Guard (Qty. 2)✘	---	04.08.032.00	---	---	---	---	---	---
34	96 Element 2400 Watts	---	---	R02.08.123.00	R02.08.124.00	R02.08.150.00	R02.08.124.00	R02.08.150.00	R02.08.124.00
35	96 Element Wire Guard (Female)	---	---	04.08.037F.00	04.08.037F.00	04.08.037F.00	04.08.037F.00	04.08.037F.00	04.08.037F.00
35	96 Element Wire Guard (Male)	---	---	04.08.037M.00	04.08.037M.00	04.08.037M.00	04.08.037M.00	04.08.037M.00	04.08.037M.00
34	GRAH-96 2200 Watt (Qty. 2)✘	---	R02.08.110.00	---	---	---	---	---	---
35	GRAH-96 Wire Guard (Qty. 2)✘	---	04.08.033.00	---	---	---	---	---	---
	Electrical Diagram	---	HS1-1442	HS1-1442	HS1-1442	HS1-3164	HS1-3165	HS1-4234	HS1-4235

Shaded area reflects export models only. **NOTE:** Model number is the foodwarmer housing length in inches, not the heating element length. ✘Tandem - Heating elements mounted end to end.

Heating Elements and Wire Guards for Models GRAH and GRAHL - High Wattage - Tandem Units

ITEM	DESCRIPTION	100V	120V	208V	240V	220E	240E	220-230CE	230-240CE
34	96 2200 Watt (Qty. 2)✘	---	R02.08.110.00	R02.08.111.00	R02.08.112.00	02.08.142.00	R02.08.112.00	---	---
35	96 Wire Guard (Qty. 2)✘	---	04.08.033.00	04.08.033.00	04.08.033.00	04.08.033.00	04.08.033.00	---	---
34	108 2500 Watt (Qty. 2)✘	---	R02.08.125.00	R02.08.130.00	R02.08.131.00	R02.08.143.00	R02.08.131.00	---	---
35	108 Wire Guard (Qty. 2)✘	---	04.08.038.00	04.08.038.00	04.08.038.00	04.08.038.00	04.08.038.00	---	---
34	120 2800 Watt (Qty.2)✘	---	R02.08.113.00	R02.08.114.00	R02.08.115.00	R02.08.144.00	R02.08.115.00	---	---
35	120 Wire Guard (Qty. 2)✘	---	04.08.034.00	04.08.034.00	04.08.034.00	04.08.034.00	04.08.034.00	---	---
34	132 3120 Watt (Qty. 2)✘	---	R02.08.132.00	R02.08.133.00	R02.08.134.00	R02.08.145.00	R02.08.134.00	---	---
35	132 Wire Guard (Qty. 2)✘	---	04.08.040.00	04.08.040.00	04.08.040.00	04.08.040.00	04.08.040.00	---	---
34	144 3450 Watt (Qty. 2)✘	---	R02.08.116.00	R02.08.117.00	R02.08.118.00	R02.08.148.00	R02.08.118.00	---	---
35	144 Wire Guard (Qty. 2)✘	---	04.08.035.00	04.08.035.00	04.08.035.00	04.08.035.00	04.08.035.00	---	---
	Electrical Diagram	---	HS1-3059	HS1-3059	HS1-3059	HS1-3059	HS1-3059	---	---

Shaded area reflects export models only.

✘Tandem - Heating elements mounted end to end.

NOTE: Model number is the foodwarmer housing length in inches, not the heating element length.

Breath Protectors For All GRA, GRAL, GRAH, GRAHL Models (Not Retrofittable)

ITEM	DESCRIPTION	PART NO.	QTY.	ITEM	DESCRIPTION	PART NO.	QTY.
36	Model 18	R00.05.0100.00	1-2	36	Model 54	R04.12.045.00	1-2
36	Model 24	R04.12.040.00	1-2	36	Model 60	R04.12.046.00	1-2
36	Model 30	R04.12.041.00	1-2	36	Model 66	R04.12.047.00	1-2
36	Model 36	R04.12.042.00	1-2	36	Model 72	R04.12.048.00	1-2
36	Model 42	R04.12.043.00	1-2	36	Model 84	R04.12.061.00	1-2
36	Model 48	R04.12.044.00	1-2	36	Model 96	R04.12.062.00	1-2

NOTE: Not available for GR or GRH Models.

NOTE: Replacement breath protectors include all mounting hardware.

HATCO AUTHORIZED PARTS DISTRIBUTORS

ALABAMA

Jones McLeod Appl. Svc.
Birmingham 205-251-0159

ARIZONA

Auth. Comm. Food Equip.
Phoenix 602-234-2443
Byassee Equipment Co.
Phoenix 602-252-0402

CALIFORNIA

Industrial Electric
Huntington Beach 714-379-7100
Chapman Appl. Service
San Diego 619-298-7106
P & D Appliance
S. San Francisco 650-635-1900

COLORADO

All City Service
Denver 303-454-9500
Hawkins Commercial Appliance
Englewood 303-781-5548

DELAWARE

Food Equipment Service
Wilmington 302-996-9363

FLORIDA

Whaley Foodservice Repair
Jacksonville 904-725-7800
Nass Service Co., Inc.
Orlando 407-425-2681
B.G.S.I.
Pompano Beach 954-971-0456
Comm. Appliance Service
Tampa 813-663-0313

GEORGIA

Southeastern Rest. Svc.
Norcross 770-446-6177

HAWAII

Burney's Comm. Service, Inc.
Honolulu 808-848-1466
Food Equip Parts & Service
Honolulu 808-847-4871

ILLINOIS

Parts Town
Broadview 708-865-7278
Eichenauer Elec. Service
Decatur 217-429-4229
Midwest Elec. Appl. Service
Elmhurst 630-279-8000
Cone's Repair Service
Moline 309-797-5323

INDIANA

Comm. Parts & Service, Inc.
Indianapolis 317-545-9655

IOWA

Electric Motor Service Co.
Davenport 319-323-1823

KENTUCKY

Comm. Parts & Service, Inc.
Louisville 502-367-1788

LOUISIANA

Chandlers Parts & Service
Baton Rouge 225-272-6620

LOUISIANA (Continued)

Bana Comm. Parts, Inc.
Shreveport 318-631-6550

MARYLAND

Electric Motor Service
Baltimore 410-467-8080
GCS Service, Inc.
Silver Spring 301-585-7550

MASSACHUSETTS

Ace Service Co., Inc.
Needham 781-449-4220

MICHIGAN

Commercial Kitchen Service
Bay City 517-893-4561
Bildons Appliance Service
Detroit 248-478-3320
Midwest Food Equip. Service
Grandville 616-261-2000

MINNESOTA

GCS Service
Minneapolis 612-546-4221

MISSOURI

GCS Service, Inc.
Kansas City 816-920-5999
Commercial Kitchen Services
St. Louis 314-890-0700
Kaemmerlen Parts & Service
St. Louis 314-535-2222

NEBRASKA

Anderson Electric
Omaha 402-341-1414

NEVADA

Burney's Commercial
Las Vegas 702-736-0006
Hi. Tech Commercial Service
N. Las Vegas 702-649-4616

NEW JERSEY

Jay Hill Repair
Fairfield 973-575-9145
Service Plus
Flanders 973-691-6300

NEW YORK

Acme American Repairs, Inc.
Brooklyn 718-456-6544
Alpro Service Co.
Brooklyn 718-386-2515
Appliance Installation
Buffalo 716-884-7425
Northern Parts Dist.
Plattsburgh 518-563-3200
J. B. Brady, Inc.
Syracuse 315-422-9271

NORTH CAROLINA

Authorized Appliance
Charlotte 704-377-4501

OHIO

Akron/Canton Comm. Svc. Inc.
Akron 330-753-6635
Certified Service Center
Cincinnati 513-772-6600
GCS Service
Columbus 614-476-3225

OHIO (Continued)

Electrical Appl. Repair Service
Independence 216-459-8700
E. A. Wichman Co.
Toledo 419-385-9121

OKLAHOMA

Hagar Rest. Service, Inc.
Oklahoma City 405-235-2184
Krueger, Inc.
Oklahoma City 405-528-8883

OREGON

Bressie Electric Co.
Portland 503-231-7171
Ron's Service, Inc.
Portland 503-624-0890

PENNSYLVANIA

Authorized Factory Service
Coraopolis 412-262-2330
FAST Comm. Appl. Service
Philadelphia 215-288-4800

GCS Service, Inc.
Pittsburgh 412-787-1970

K & D Service Co.
Harrisburg 717-236-9039

Elmer Schultz Services
Philadelphia 215-627-5401

Electric Repair Co.
Reading 610-376-5444

RHODE ISLAND

Marshall Electric Co.
Providence 401-331-1163

SOUTH CAROLINA

Whaley Foodservice Repair
W. Columbia 803-791-4420

TENNESSEE

Camp Electric
Memphis 901-527-7543

TEXAS

City Kitchen Service Co.
Austin 512-719-4445

Stove Parts Supply
Fort Worth 817-831-0381

Armstrong Repair Service
Houston 713-666-7100

Commercial Kitchen Repair Co.
San Antonio 210-735-2811

San Antonio Rest. Equip.
San Antonio 210-532-1660

UTAH

Peterson's Commercial Parts & Svc.
Salt Lake City 801-487-3653

VIRGINIA

Daubers
Norfolk 757-855-4097

Daubers
Springfield 703-866-3600

WASHINGTON

Restaurant Appl. Service
Seattle 206-524-8200

WISCONSIN

A.S.C., Inc.
Madison 608-246-3160

A.S.C., Inc.
Milwaukee 414-543-6460

HATCO CORPORATION

P.O. Box 340500, Milwaukee, WI 53234-0500 U.S.A.

(800) 558-0607 (414) 671-6350

Parts & Service Fax (800) 690-2966 Int'l. Fax (414) 671-3976

www.hatcocorp.com