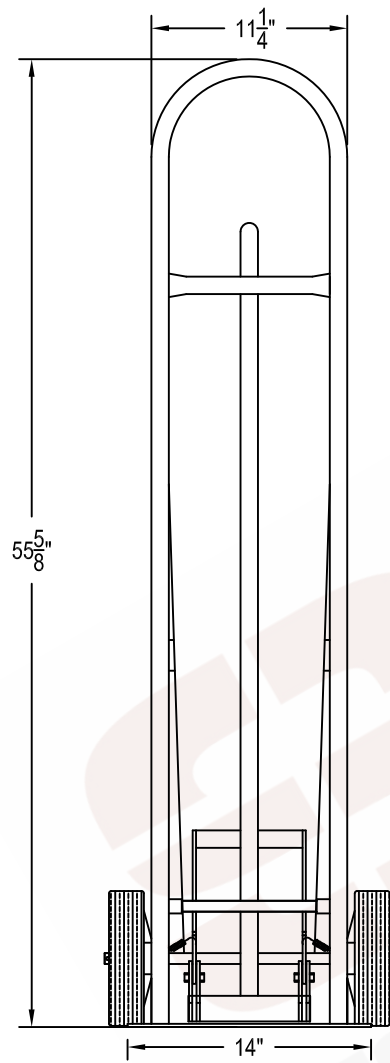
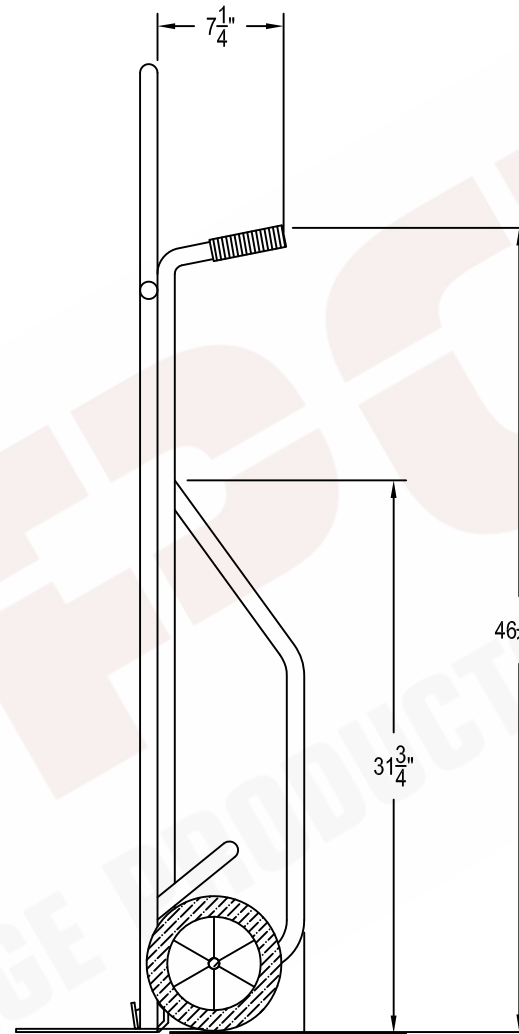


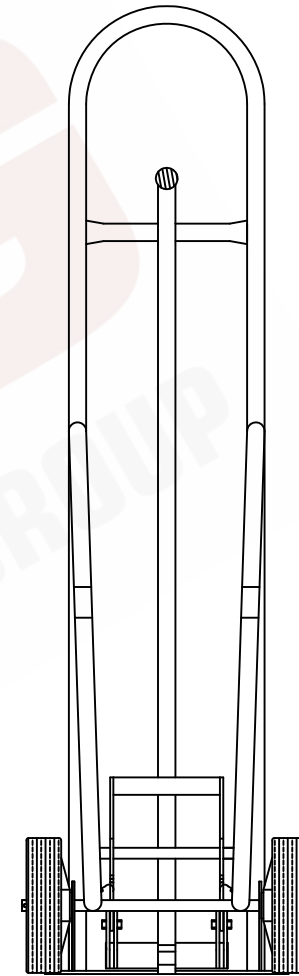
MODEL# HT-KO-SP



FRONT VIEW



SIDE VIEW



BACK VIEW

DRAWING STATUS APPROVED APPROVED AS NOTED REVISE & RESUBMIT BY: _____ DATE: _____ CAT #:



SPG INTERNATIONAL, LLC.
11230 HARLAND DR. NE
COVINGTON, GA 30014
Phone: 1-800-810-9080
Fax: 678-823-4002
www.spgusa.com

PROPRIETARY NOTICE: This sheet contains confidential, proprietary information of SPG International, LLC. Any person accepting this sheet and/or information agrees to make no disclosure, use, or duplication thereof except as authorized by SPG International, LLC, and to return this sheet upon request. Copyright © 2012 SPG International, LLC.
All rights reserved.

ATTENTION: This drawing is the only document that defines this item. No P.O. verbal or written document will be considered. You are fully responsible for all dimensions.

CUSTOMER:	
PROJECT:	
MODEL #: HT-KO-SP	ITEM#: 4K0420 QTY:
DESCRIPTION: STEEL HAND TRUCK, 8" SEMI PNEUMATIC WHEELS	
DWG #: HT-KO-SP	REV: SHEET: 1 OF 1

REVISION:	DESCRIPTION:	DWG BY:	DATE:	ECO#:

DWG BY: SFK
DATE: 06.11.2004