

Project Name: _____ AIA#: _____

Model #: _____ Location: _____

SIS#: _____ Item #: _____ Quantity: _____



Premium Heavy-Duty Manual Slicers

Precise - Powerful - Premium Construction

The all-new, heavy-duty S-Series line of premium slicers from Globe delivers **precision, performance, industry-leading convenience, superior cleanability and lasting value.**



S13

Models

- S13 (Standard)
- SG13 (Advanced)

S13 Standard Features

- Patent pending anodized aluminum design & construction for quick and easy cleaning
- Patent pending indexing system enables accurate and precise slice thickness adjustment up to 1-1/8"
- 13" German steel knife with hardened edge provides quality slices and higher yield
- Tilting carriage accommodates up to 13.75" h, 8" dia., 11" w large products, like prosciutto, mortadella and bacon
- 50°, 13" tall gravity feed carriage improves productivity
- Advanced meat grip design for superior product hold
- 1/2 HP continuous use knife motor combined with the high efficiency knife drive system delivers optimum power
- No voltage release prevents inadvertent reactivation of slicer in the event of interlock or power interruption
- Interlock prevents slicer from operating without the knife cover in place
- Top mounted, removable sharpening system utilizes long-lasting synthetic diamond surfaces and enables quick and easy sharpening and cleaning
- Kickstand to facilitate ease of cleaning

SG13 Advanced Model Features

- Home Start – carriage must be in home position to start slicer
- Adjustable timer – shuts off slicer after inactivity
- Close to Stop – closing slicer table shuts off slicer
- Carriage tilt interlock – prevents knife exposure when carriage is tilted and prevents slicer from operating
- Patent pending graphic user interface with Clear Text LCD display provides operator messages, diagnostics and system information

Warranty

- Two year parts and labor

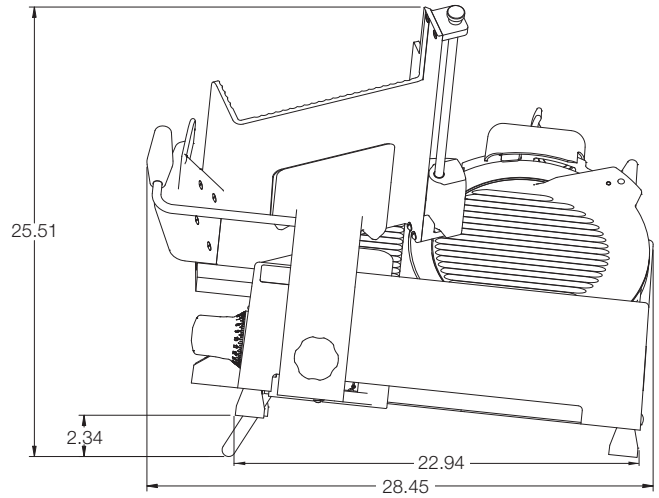
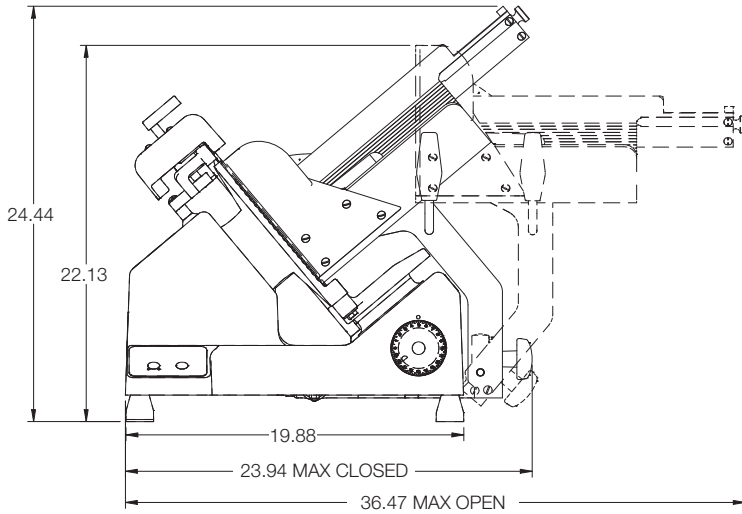
Optional Accessories

- Food Fence
- Vegetable Hopper
- Slicer Cover
- Slaw Tray

To select factory installed options and accessories see back



Approved by: _____ Date: _____



UNIT: Inches

Drawings available through KCL. www.kclcad.com

SPECIFICATIONS

Model	Motor	Volts	Amps	NEMA Plug Type	Drive Type	Slicing Vol. / Day	Cheese Slicing	Blade Diameter	Max Slice	Product Cutting Capacity		
										D (Diameter)	H (Height)	W (Width)
S13	1/2 HP	115-60-1	2	5-15	Belt	All Day		13" (33.02 cm)	1-1/8" (2.857 cm)	8" (20.32 cm)	13.75" (35 cm)	11" (27.94 cm)
S13-05	1/2HP	220-60-1	1	6-15P	Belt	All Day		13" (33.02 cm)	1-1/8" (2.857 cm)	8" (20.32 cm)	13.75" (35 cm)	11" (27.94 cm)
S13-07	1/2HP	220-50-1	1	CEE7/7	Belt	All Day		13" (33.02 cm)	1-1/8" (2.857 cm)	8" (20.32 cm)	13.75" (35 cm)	11" (27.94 cm)
SG13	1/2 HP	115-60-1	2	5-15	Belt	All Day		13" (33.02 cm)	1-1/8" (2.857 cm)	8" (20.32 cm)	13.75" (35 cm)	11" (27.94 cm)
SG13-05	1/2HP	220-60-1	1	6-15P	Belt	All Day		13" (33.02 cm)	1-1/8" (2.857 cm)	8" (20.32 cm)	13.75" (35 cm)	11" (27.94 cm)
SG13-07	1/2HP	220-50-1	1	CEE7/7	Belt	All Day		13" (33.02 cm)	1-1/8" (2.857 cm)	8" (20.32 cm)	13.75" (35 cm)	11" (27.94 cm)

Cord & Plug: Attached 7 ft. flexible 3-wire cord with molded plug fits a grounded receptacle. *Please specify desired plug configuration when ordering.*

DIMENSIONS | SHIPPING INFORMATION

Reinforced carton for shipping. The weight and dimensions of this reinforced carton are included below and may vary from shipment to shipment. **Shipped on a pallet. Freight class 77.5.**

Model	Max Overall Dimensions	Net Weight	Shipping Dimensions	Shipping Weight
S13 SG13	36.47" W x 29.56" D x 25.51" H (92.63 cm x 75.08 cm x 64.8 cm)	114 lbs. (51.71 kg)	31.5" W x 31.5" D x 31.5" H (80 cm x 80 cm x 80 cm)	135 lbs. (61.24 kg)

OPTIONAL ACCESSORIES:

- Food fence
- SC Large - Slicer Cover
- Vegetable Hopper
- Slaw Tray

S13: Slicer to be constructed of anodized aluminum with built-in control panel. Slicer to have 1/2 HP motor with overload protection and 13" hardened German steel knife. Slicer to come with patent-pending indexing system with slice thickness adjustment up to 1-1/8". Top mounted removable sharpener with synthetic diamond stone and plate. Tilting carriage accommodates up to 13.75" h, 8" dia., 11" w large products. Slicer is ETL listed. Slicer to have no voltage release and knife cover interlock. Two year parts and labor warranty. **SG13:** Additional features to include Home Start, Adjustable Timer, Close to Stop, Carriage Tilt Interlock and Clear-Text display with Services and Operation/Diagnostics