

# Parts Catalog



**GIB750-22**

## Immersion Blender

**Model: GIB750-22**

10-25-18 Rev. -

IMPORTANT!

TO EXPEDITE SHIPMENT OF PARTS, ALWAYS SPECIFY MODEL, REV,  
PART NUMBER, AND SERIAL NUMBER OF UNIT.

### **GLOBE FOOD EQUIPMENT COMPANY**

2215 East River Road  
Dayton, Ohio 45439

#### **Parts Department**

Toll Free 1-800-745-6238 · Fax (937) 290-0585

E-Mail: [info@globefoodequip.com](mailto:info@globefoodequip.com)

Website: [www.globefoodequip.com](http://www.globefoodequip.com)

Not for resale



# Table of Contents

**Description**

**Page**

GIB750-22 Immersion Blender

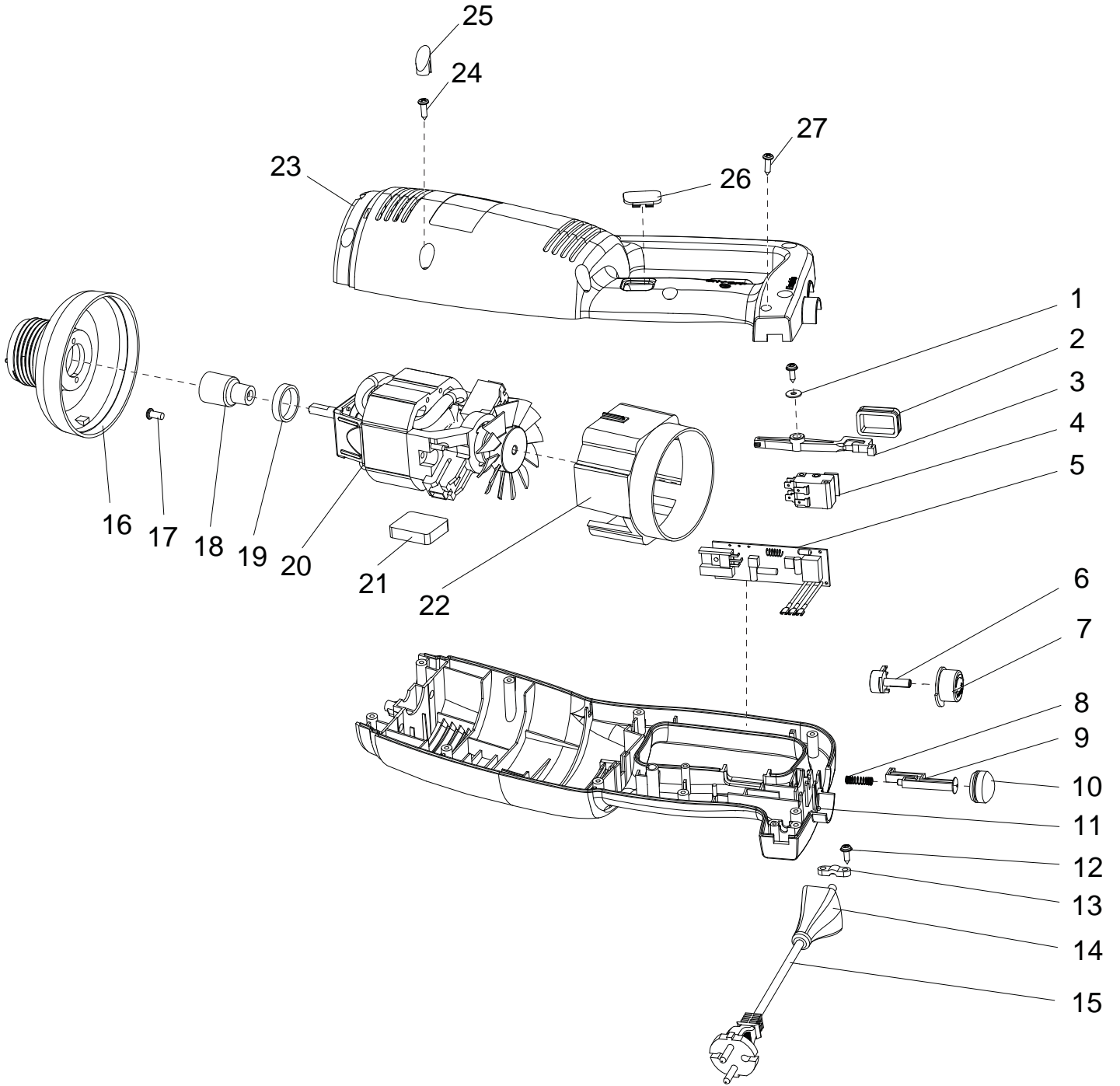
4

Blender Tube

6



# GIB750-22 Immersion Blender



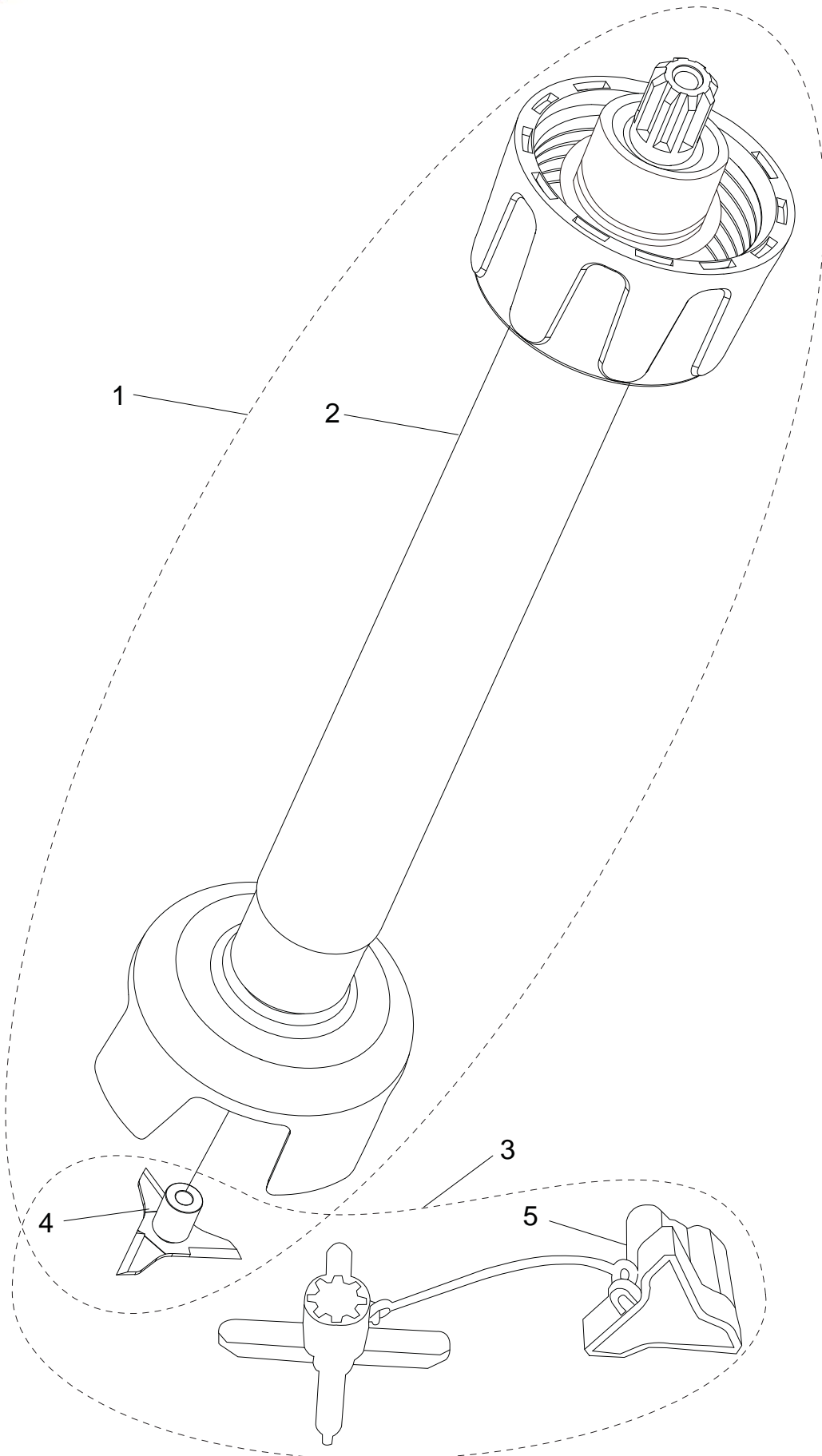


## GIB750-22 Immersion Blender

Item	Part Number	Description	Qty	Serial Number
1		Screw, Washer Phillips Button Hd	1	
2		Button, ON-OFF	1	
3		Button, Osculant Staff	1	
4		Microswitch	1	
5		Control Board, Speed	1	
6		Potentiometer	1	
7		Knob, VARIABLE Speed	1	
8		Spring	1	
9		Bolt, Push	1	
10		Button, ENABLE	1	
11		Housing, Right	1	
12		Screw 4mmx15mm, Phillips Drive	2	
13		Tie Down	1	
14		Strain Relief	1	
15		Power Cord	1	
16	L02227	Coupling	1	
17		Screw M5-.8x10mm, Phillips Pan Hd	4	
18	L02207	Drive Hub	1	
19		Seal, Rubber	1	
20		Motor	1	
21		Gasket, Motor	2	
22		Cover, Motor	1	
23		Housing, Left	1	
24	H02298	Screw 3.9x15.5x.22mm Button PHH, Zinc	11	
25	L02292	Screw Cover Kit	1	
26	L02205	Cover	1	
27	H02297	Screw M3x15mm Phillips Zinc	1	
28	L02284	Label, English Warning	1	
29	L02285	Label, French Warning	1	



# Blender Tube



6



## Blender Tube

---

Item	Part Number	Description	Qty	Serial Number
1	L02332	22" Immersion Blender Tube Equivalent to GIBSTK22	1	
2		Blender Stick	1	
3	L02334	Blade Removal Kit	1	
4		Blade	1	
5		Blade Removal Tool	1	