

Project Name: _____ AIA#: _____

Model #: _____ Location: _____

SIS#: _____ Item #: _____ Quantity: _____



NEW!

Flywheel Slicer

The Perfect Prosciutto Presentation Slicer

This vintage design accomodates tradition-ally over-sized artisan meats with a 14" precision knife. Theater-style, paper-thin slicing with effortless operation.



*Shown with
optional pedestal*



Model

FS14

Standard Features

- Traditional 14" (350mm) diameter hollow ground chrome-plated carbon steel precision knife
- Accommodates oversized product up to 11" wide and 9.5" high
- Built-in knife sharpener
- Fully hand-operated, no electrical connection required
- Largest low-resistance flywheel for superior speed control and easy operation
- Designed for ease of cleaning; meets demanding sanitation certification requirements
- Ring guard for blade protection
- Precision slice adjustment with 9 settings from tissue-thin up to 3/32" (2.5mm)
- Aluminum construction with stainless steel trim
- Baked enamel paint and premium decorative gold detailing
- Authentic Italian marble receiving shelf

Warranty

- *Two years parts and labor*

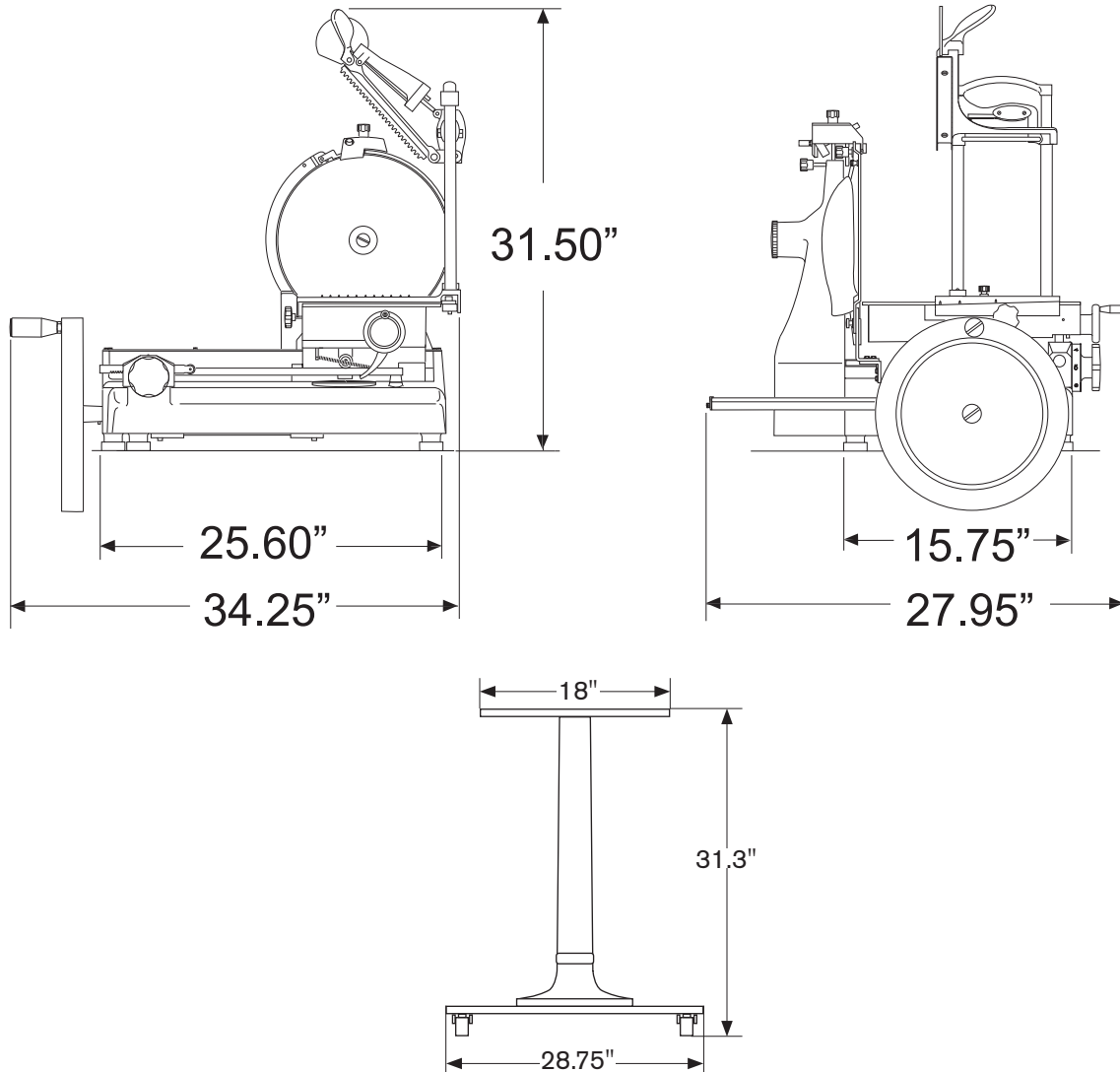
Optional Mobile Pedestal

- Slicer pedestal – heavy-duty artisan pedestal with locking casters for great mobility

To select options see back

Approved by: _____ Date: _____

2153 Dryden Rd., Dayton, OH 45439 | 937-299-5493 | 800-347-5423 | Fax: 937-299-4147 | www.globefoodequip.com



| DIMENSIONS SHIPPING INFORMATION | | | | |
|-----------------------------------|--|------------------------|---|------------------------|
| Model | Overall Dimensions | Net Weight | Shipping Dimensions | Shipping Weight |
| FS14 | 27.95" w x 34.25" d x 31.5" h (71 cm x 87 cm x 80 cm) | 178.57 lbs. (81 kg) | 35.4" w x 35.4" d x 39.4" h (90 cm x 90 cm x 100 cm) | 271.2 lbs. (123 kg) |
| FSSTAND | 28.75" w x 27.56" d x 31.3" h (73 cm x 70 cm x 79.5 cm) | 224.8 lbs. (102 kg) | 35.4" w x 35.4" d x 39.4" h (90 cm x 90 cm x 100 cm) | 317.5 lbs. (144 kg) |

Made of aluminum and steel with a vintage red enamel finish, the FS14 slicer is designed for rapid cleaning and meets the most demanding sanitation requirements. The unit is fully hand operated and does not require electric power. The blade sharpener is built-in for effective and sharp cutting. Equipped with ring guard around blade.

OPTIONAL/ADDITIONAL ACCESSORIES

- FSSTAND** Slicer pedestal (see above for dimensions)