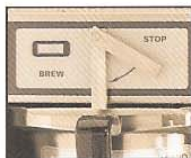


## The Ultimate Coffee Machine.

Your Answer to Brewing The Best Tasting Coffee  
Consistently Day After Day...

Developed with proprietary designs and technologies, FETCO® equipment ensures safety and integrity of each brew with innovative designs such as:



- Dual Brew Basket Safety Locks Incorporated Into Start Switch



- Stainless Steel Gourmet Size Brew Baskets Designed For Heavier Brew Ratios



- Brewing Directly Into Our Patented LUXUS® Thermal Dispensers To Ensure A Continuous Flow of Hot, Aromatic, Great Tasting Coffee

FETCO® Brewers Utilize The Most Recent Technological Advances In Coffee Brewing In Order To:

- Hold A Constant Water Temperature During 100% Of Brew Cycle
- Maintain Sprayover Volume Consistency
- Resist Lime Buildup Inside Dispense Tube System
- Utilize All Solid State Components



The LUXUS® Thermal Dispenser  
Totally portable, requires no electric power.

Once filled and capped, it goes anywhere...Ready to act as your remote dispensing station wherever needed.

You can prepare them ahead of time and place them where you want them. It is important to note that the LUXUS® thermal dispenser can be staff-operated or used as a self-service system



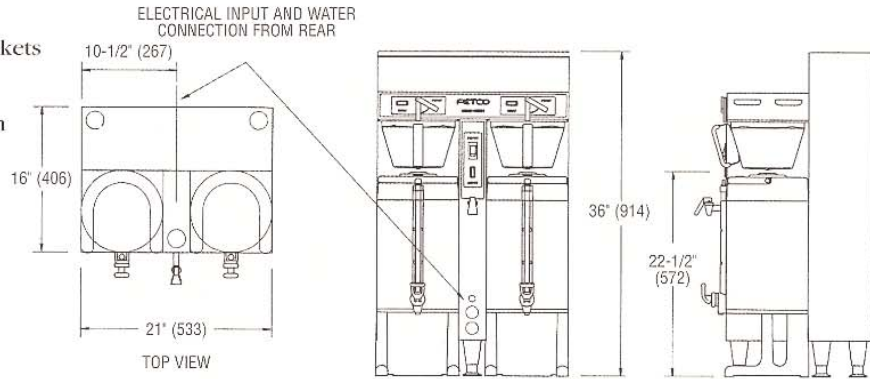
CBS-52H15 in Stainless Steel finish and with 1.5 Gallon LUXUS® Thermal Dispensers

# CBS-52H15

## Standard Features:

- 1.5 Gal. Thermal, All Stainless Steel Lined Beverage Dispensers
- Stainless Steel, Gourmet Size Brew Baskets
- Brew Basket Safety Locks
- Open Type, Leak Free Dispense System
- Fully Automatic With Electronic Temperature Control
- Mercury-Type Power Contactor
- Two-Level Water Tank Drain System
- Total Serviceability From The Front

## Dimensions & Specifications



## Optional Features:

- Half Batch Brewing Capability
- Iced Tea Brewing Capability
- Color Stainless Steel Finish
- Custom & Export Voltage

**Water Requirements: 20-75 psig, 1-1/4 gpm flow rate. Water inlet is 3/8 Male Flare**

## Accessories:

- 1.5 Gallon Luxus® Thermal Dispensers
- Single, Dual & Triple Serving Stations (for Luxus® Thermal Dispenser LS Models Only)
- Brewing Stand For Luxus® Thermal Dispenser LS Models

## Standard Electrical Configurations & Brewing Efficiency

Electrical Config. Code	Heater Configuration	Voltage	Phase	Wires	KW	Maximum Amp draw	Brews per Hour	
							Cold Water	Hot Water
CBS-52H15-1	2 x 3000 watt	120/208	1 ph.	3 + ground	4.6	22.4	7.7	13.2
		120/220	1 ph.	3 + ground	5.2	23.7	8.6	14.7
		120/240	1 ph.	3 + ground	6.1	25.8	10.2	17.5
CBS-52H15-2	2 x 4000 watt	120/208	1 ph.	3 + ground	6.1	29.6	10.2	17.5
		120/220	1 ph.	3 + ground	6.8	31.3	11.4	19.6
		120/240	1 ph.	3 + ground	8.1	34.1	13.6	20.0
CBS-52H15-3	3 x 3000 watt	120/208	3 ph.	4 + ground	6.9	19.5	11.5	19.7
		120/220	3 ph.	4 + ground	7.7	20.6	12.9	20.0
		120/240	3 ph.	4 + ground	9.1	22.4	15.4	20.0
CBS-52H15-4	3 x 4000 watt	120/208	3 ph.	4 + ground	9.1	25.8	15.4	20.0
		120/220	3 ph.	4 + ground	10.3	27.3	17.2	20.0
		120/240	3 ph.	4 + ground	12.1	29.7	20.0	20.0

## Weights & Capacities

MODEL	HEIGHT	WIDTH	DEPTH	BREWER EMPTY	BREWER FILLED	DISPENSER EMPTY	DISPENSER FILLED	BREWER & DISP FILLED	WATER TANK	DISPENSER	SHIPPING WEIGHT	CU. FT.
CBS 52H15	in/mm	in/mm	in/mm	lbs/kg	lbs/kg	lbs/kg	lbs/kg	lbs/kg	gal/l	gal/l	lbs/kg	ft/cu dec
	36/914	21/533	16/406	82/36.9	145/65.25	8.5/3.82	21/9.45	187/84.15	7.6/28.72	1.5/5.67	117/52.65	10.7/303

## Patents & Approvals:

U.S. Pat. Nos. 5,000,082; 5,331,885. Other patents pending.

This product is approved by one or more of the following marks:



FETCO® Corporation is a proud and active member of these organizations:



**FETCO**  
CORPORATION

Food Equipment Technologies Company  
640 Heathrow Drive, Lincolnshire, IL 60069 USA  
Phone: 847.821.1177 800-FETCO 99 Fax: 847.821.1178  
Internet: www.fetco.com E-mail: sales@fetco.com

FETCO & LUXUS are both trademarks or tradenames of Food Equipment Technologies Company. All other trademarks or tradenames are trademarks or tradenames of their respective owners.