



The Signature of Quality®

FEDERAL INDUSTRIES

A Standex Company

215 Federal Avenue
Belleville, Wisconsin 53508-9201

Phone: 800-356-4206

Fax: 608-424-3234

Email: Geninfo@Federalind.com

Website: Federalind.com

Project Name: _____

Item #: _____

Model #: _____ Qty: _____

Approval: _____

AIA #

SIS #

VISION SERIES - Curved End Self-Serve Refrigerated Merchandiser - 60"

Designed with impulse sales in mind. Get maximum return from an attention-grabbing merchandiser and increase profits.



Model VRSS3660C Shown
Solid Ends Shown

MODEL	DIMENSIONS (Includes End Panels)
<input type="checkbox"/> VRSS3660C	36 x 33 x 60 (in) 914 x 838 x 1524 (mm)
<input type="checkbox"/> VRSS4860C	47.25 x 33 x 60 (in) 1200 x 838 x 1524 (mm)
<input type="checkbox"/> VRSS6060C	59.25 x 33x 60 (in) 1505 x 838 x 1524 (mm)
<input type="checkbox"/> VRSS7260C	71.25 x 33x 60 (in) 1810 x 838 x 1524 (mm)

STANDARD FEATURES

Model Features

- Powder coated base frame
- Choice of six standard laminates on exterior
- Black powder coated metal front & rear grill
- Black Trim
- Stainless steel display deck
- Tempered glass ends with choice of six standard color laminates on lower millwork panel - black Standard
- Black interior back panel
- Moisture resistant end panel construction
- Front air intake / front & rear discharge
- Energy saving night curtain
- Adjustable Leg Levelers
- Cord & Plug

Refrigeration

- Electronic temperature control with on demand defrost
- Refrigeration controls maintain 38°-40°F (3.3°-4.4°C) Note: Case temperature will vary if the air curtain is disrupted.
- Thermometer
- R449a refrigerant

Shelving

- Two tiers of adjustable black metal shelves with black price tag molding. Shelves can be flat or slanted downwards at 10°

Lighting

- 3500K LED top light

Agency Approvals

- UL, C-UL and UL Sanitation listed to NSF-7, Type II conditions
- DOE 2017 compliant

OPTIONAL ACCESSORIES

- Special External Laminate Finish
- Graphics Package
- White Interior (Including Shelves)
- Stainless Steel Interior (Including Shelves)
- Stainless Steel Exterior Finish
- Stainless Steel Shelves
- Solid Right/Left End Panels (mirrored)
- Square ends
- Reflective End Glass
- Deli Meat Pegs
- Sliding Rear Access Doors (hinged on 36" cases)
- Roll-up Security Cover (Square End Profile)
- Removable Security Cover
- LED Lights Below Shelves
- Additional Lighted (LED) Shelf
- Front Cart Bumper
- Recessed or 4" (101.6mm) Casters (Self Contained Models Only)
- Legs, 6", (152mm)
- Skirt with Casters or Legs
- Joining Kit for Continuous Line-Ups
- Condensate Evaporator Assembly (Field Install) (Separate 120V, 20A Circuit Required) (Remote Only)
- Remote Refrigeration With Condensate Pump (R449a Refrigerant, EEV Included)
- Reversing Condenser Coil Fan

*Additional options available on the website and price list.



WARRANTY*
One year Parts and Labor
2nd thru 5th year part only
service compressor
(U.S.A. and Canada)

Note: Information is subject to change at any time. Visit www.federalind.com for the most current specs.

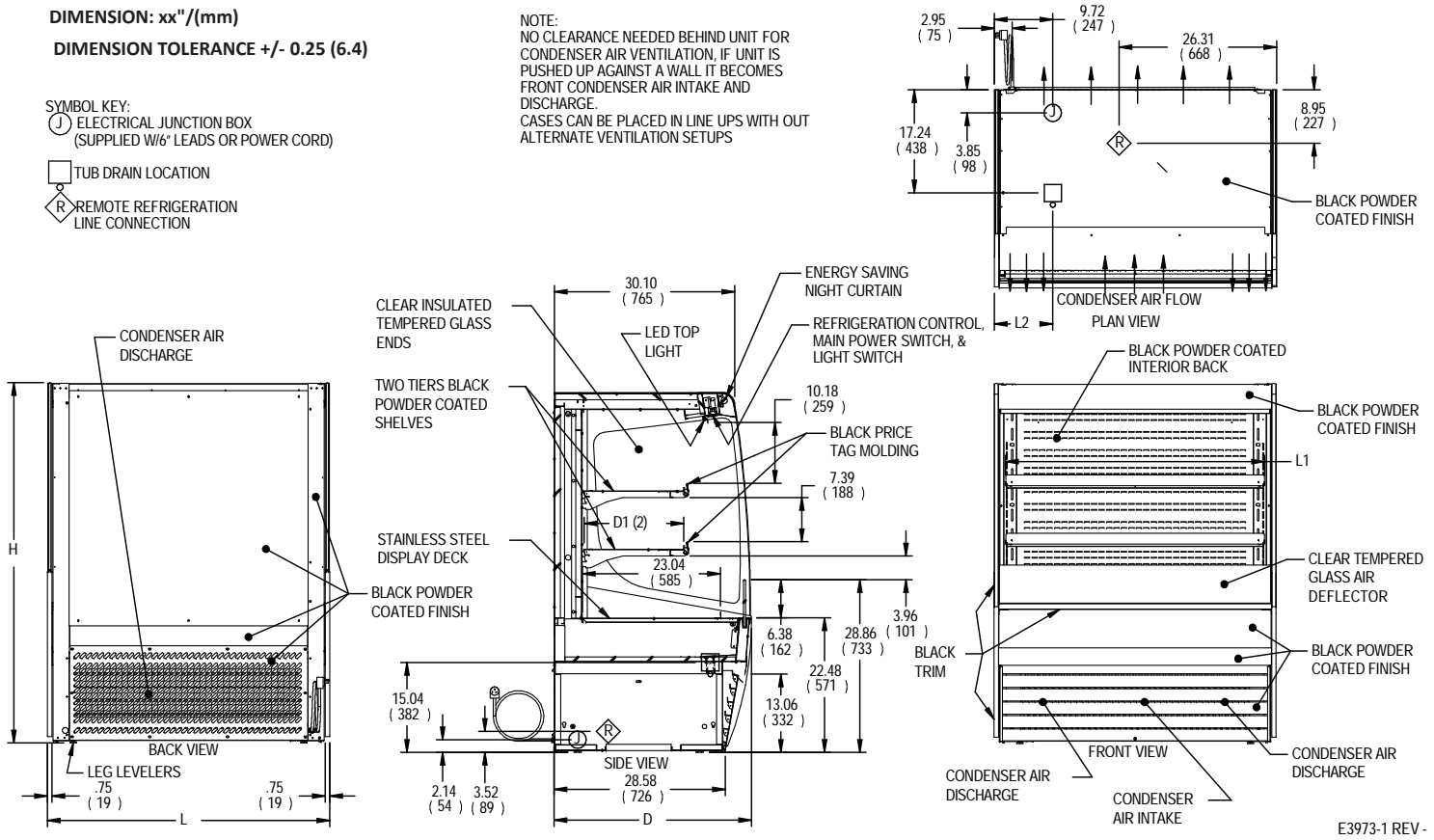
AIA #	VISION SERIES - Curved End Self-Serve Refrigerated Merchandiser - 60"
SIS #	Product Specifications

Intended Environment: Type II (Self Contained and Remote) - Designed to operate in maximum ambient conditions of 80°F (24°C) and 55% relative humidity.		
Zone	Intended Product To Be Displayed	Avg Prod Temp °F/°C
All	Packaged Refrigerated Products	38°F / (3.3°C)

DIMENSION: xx"/(mm)
DIMENSION TOLERANCE +/- 0.25 (6.4)

- SYMBOL KEY:**
- J ELECTRICAL JUNCTION BOX (SUPPLIED W/6' LEADS OR POWER CORD)
 - T TUB DRAIN LOCATION
 - R REMOTE REFRIGERATION LINE CONNECTION

NOTE:
 NO CLEARANCE NEEDED BEHIND UNIT FOR CONDENSER AIR VENTILATION, IF UNIT IS PUSHED UP AGAINST A WALL IT BECOMES FRONT CONDENSER AIR INTAKE AND DISCHARGE.
 CASES CAN BE PLACED IN LINE UPS WITH OUT ALTERNATE VENTILATION SETUPS



E3973-1 REV -

MODEL	DIMENSIONS		TUB DRAIN	SHELVING		INTERIOR VOLUME CU FT	STANDARD CONNECTION CORD & PLUG				SELF CONTAINED				REMOTE				SHIP WGT LBS	SHIP WGT KILO			
	L	D	H	L2	# OF TIERS		L1	D1	ELECTRICAL	AMPS	MAX FUSE SIZE	NEMA CORD & PLUG	REFRIG	C.U. HP	CONDENSATE REMOVAL	SHIP WGT LBS	PERMANENT CONNECT				REFRIG	BTU'S @ 26'	CONDENSATE REMOVAL
	in	in	in	in			in	in									2 WIRE + GROUND	2 WIRE + GROUND					
	mm	mm	mm	mm	mm		mm	mm	mm	mm	mm	mm	mm	mm	mm	mm	mm	mm			mm	mm	mm
VRSS3660C	36	33	60	6.74	2	32.25	16.634	120/60/1	12.7	20	NEMA 5-20P	R449A	3/4	INTEGRATED PAN	535	2.5	15	R449A	6,720	PUMP	490		
	914	838	1524	171		819	423								243						222		
VRSS4860C	47.25	33	60	13.49	2	43.25	16.634	208-240/60/1	12.5	20	NEMA 6-20P	R449A	1	INTEGRATED PAN	620	3.0	15	R449A	9,580	PUMP	580		
	1200	838	1524	343		1099	423								281						263		
VRSS6060C	59.25	33	60	14.12	2	55.25	16.634	208-240/60/1	13.5	20	NEMA 6-20P	R449A	1-1/4	INTEGRATED PAN	755	3.5	15	R449A	11,200	PUMP	710		
	1505	838	1524	359		1403	423								342						322		
VRSS7260C	71.25	33	60	20.12	2	67.25	16.634	208-240/60/1	13.7	20	NEMA 6-20P	R449A	1-1/4	INTEGRATED PAN	845	3.5	15	R449A	12,300	PUMP	800		
	1810	838	1524	511		1708	423								383						363		

- Due to continuing engineering improvements, specifications are subject to change without notice.
- Case temperature will vary if the air curtain is disrupted.



FEDERAL INDUSTRIES
 A Standex Company
 215 Federal Avenue Belleville, Wisconsin 53508-9201

Phone: 800-356-4206
Fax: 608-424-3234
Email: Geninfo@Federalind.com
Website: Federalind.com