



STAINLESS STEEL  
**DISHTABLES**  
**CLEAN STRAIGHT**

**NEW** Tile Edge Design



DTC-S60-60R Shown  
 Optional Undershelf Shown

Item #: \_\_\_\_\_ Qty #: \_\_\_\_\_  
 Model #: \_\_\_\_\_  
 Project #: \_\_\_\_\_

**Spec-Line:** 14 ga. 304 Series Stainless Steel Top.  
 16 ga. 304 Stainless Steel Legs Stainless Steel Legs  
 with Welded Cross Bracing & Stainless Steel Bullet Feet.

**UPGRADED!**  
**Standard:** 16 ga. 304 Series Stainless Steel Top.  
 16 ga. 304 Stainless Steel Legs Stainless Steel Legs  
 with Welded Cross Bracing & Stainless Steel Bullet Feet.

**Super Saver:** 16 ga. 304 Series Stainless Steel Top.  
 Galvanized Legs with Plastic Bullet Feet.

**FEATURES:**

Tile edge for ease of installation.  
 Dishtable system consists of SOIL and CLEAN sections.  
 Table is furnished with 10-1/2" splash with a 2" return.

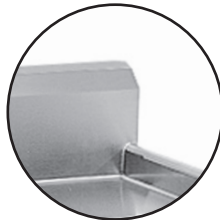
**CONSTRUCTION:**

All TIG welded.  
 Welded areas blended to match adjacent surfaces and to a satin finish.  
 Stainless Steel Gussets welded to a stainless steel support channel.

**Optional Stainless Steel  
 UNDERSHELF**  
**Die Cast LEG CLAMP**  
 secured to shelf eliminates  
 unsightly nuts & bolts



**10-1/2" EXTRA LARGE  
 Bold Looking Backsplash  
 with 2" return and tile edge**



ACCESSORIES	Model #	Qty
Faucet		
Wall Shelf		
Undershelf		

Nominal Size	"L"				Approx. Wt.
		14 Gauge 304 16 Ga. Stainless Steel Legs	16 Gauge 304 Stainless Steel Legs	16 Gauge 304 Galvanized Legs	
		SPEC-LINE	STANDARD	SUPER SAVER	
2 Ft.	23"	DTC-S30-24L or R	DTC-S70-24L or R	DTC-S60-24L or R	35 lbs.
3 Ft.	35"	DTC-S30-36L or R	DTC-S70-36L or R	DTC-S60-36L or R	45 lbs.
4 Ft.	47"	DTC-S30-48L or R	DTC-S70-48L or R	DTC-S60-48L or R	60 lbs.
5 Ft.	59"	DTC-S30-60L or R	DTC-S70-60L or R	DTC-S60-60L or R	70 lbs.
6 Ft.	71"	DTC-S30-72L or R	DTC-S70-72L or R	DTC-S60-72L or R	85 lbs.
7 Ft.	83"	DTC-S30-84L or R	DTC-S70-84L or R	DTC-S60-84L or R	100 lbs.
8 Ft.	95"	DTC-S30-96L or R	DTC-S70-96L or R	DTC-S60-96L or R	110 lbs.
9 FT.	107"	DTC-S30-108L or R	DTC-S70-108L or R	DTC-S60-108L or R	225 lbs.
10 Ft.	119"	DTC-S30-120L or R	DTC-S70-120L or R	DTC-S60-120L or R	250 lbs.
12 Ft.	143"	DTC-S30-144L or R	DTC-S70-144L or R	DTC-S60-144L or R	260 lbs.

Nominal sizing on all dishtables for ease of installation.



**Customer Service Available To Assist You 1-800-645-3166 8:30 am - 7:00 pm E.S.T.**

For Orders & Customer Service:  
 Email: customer@advancetabco.com or Fax: 631-242-6900

For Smart Fabrication™ Quotes:  
 Email: smartfab@advancetabco.com or Fax: 631-586-2933

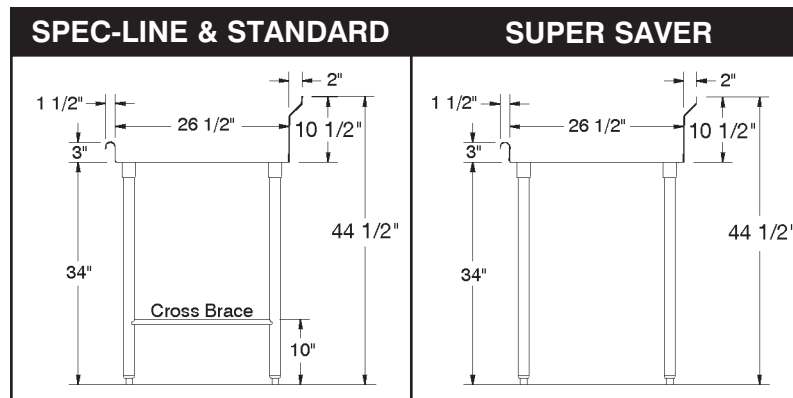
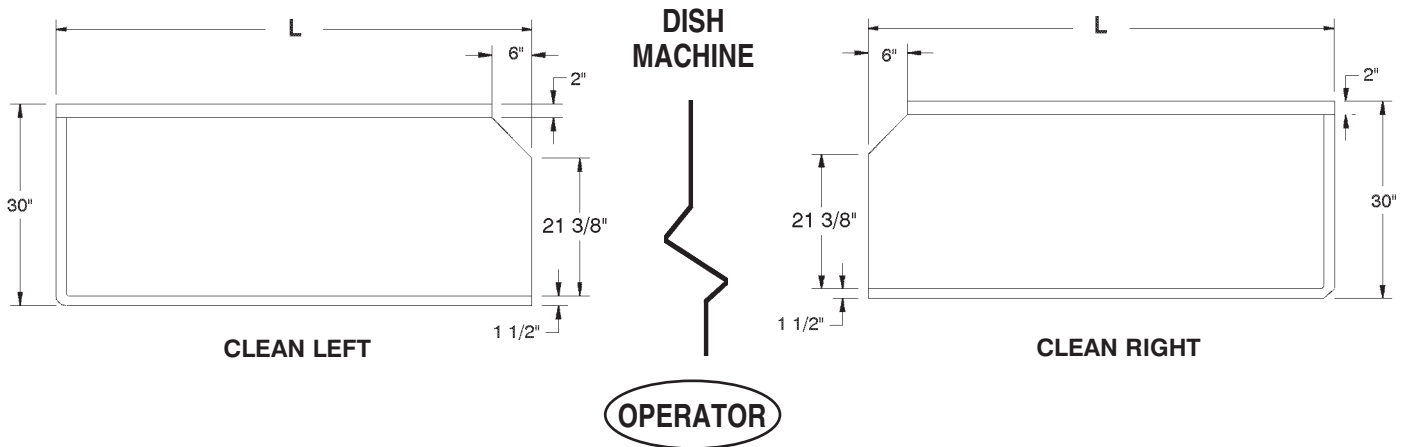
# DIMENSIONS and SPECIFICATIONS

TOL ± .500"

ALL DIMENSIONS ARE TYPICAL

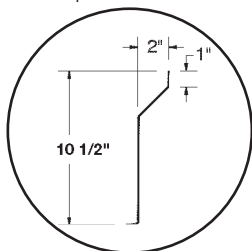
**SEE DISH MACHINE COMPATIBILITY CHART TO ENSURE PROPER FIT**

Dish Machine Compatibility Chart can be found on our website at [www.advancetabco.com](http://www.advancetabco.com) under "Product Support"



*CUSTOMIZE YOUR OWN SYSTEM  
by Ordering Optional Accessories from our  
PRODUCT & PRICE GUIDE*

Splash Detail



Description	SPEC-LINE	STANDARD	SUPER SAVER
<b>Material</b>	<b>14 Ga. 304 Series</b>	<b>16 Ga. 304 Series</b>	<b>16 Ga. 304 Series</b>
<b>1 5/8" Dia. Legs</b>	Stainless Steel	Stainless Steel	Galvanized
<b>Gussets</b>	Stainless Steel	Stainless Steel	Stainless Steel
<b>Bullet Feet (1" adj.)</b>	Stainless Steel	Stainless Steel	Plastic
<b>Cross Bracing</b>	Welded	Welded	Optional

