

Parts Manual

Convotherm Combination Oven-Steamer

MODELS: Gas 10.10 and 6.20



OGS-10.10



OGS-6.20



OGB-10.10



OGB-6.20



Enodis

1333 East 179th St., Cleveland, Ohio, U.S.A. 44110

Phone: (216) 481-4900 Fax: (216) 481-3782
Visit our web site at www.clevelandrange.com

1010 GAS GENERATOR W CLEANING

Washer Arm C

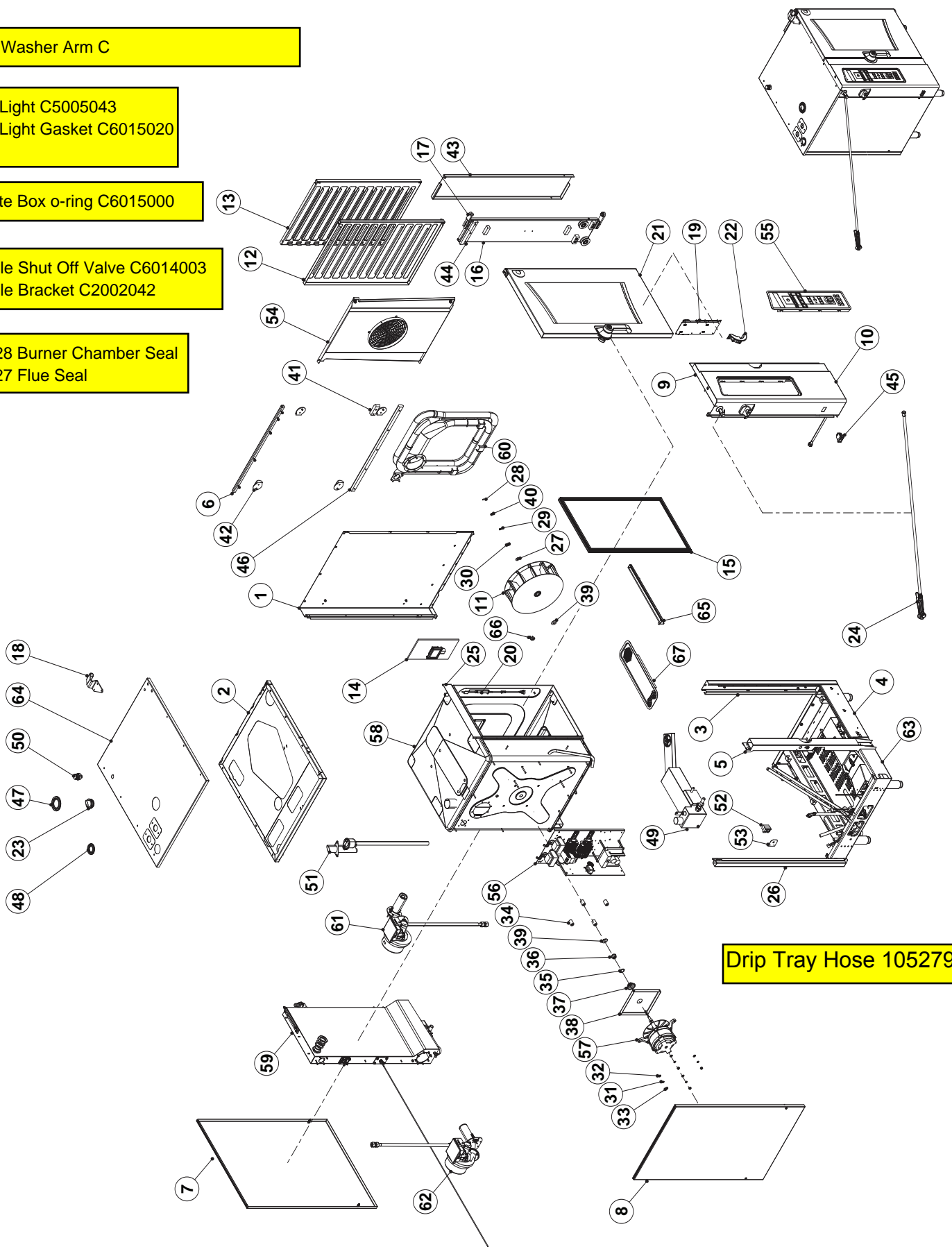
Light C5005043
Light Gasket C6015020

Condensate Box o-ring C6015000

Spray Handle Shut Off Valve C6014003
Spray Handle Bracket C2002042

C6015028 Burner Chamber Seal
C6015027 Flue Seal

Drip Tray Hose 105279



1010 GAS GENERATOR W CLEANING

| ITEM | QTY | PART NO. | DESCRIPTION |
|----------|-----|---------------------|---|
| 1 | 1 | C2115483 | ASSEMBLY, PANEL, RIGHT SIDE, 10.10 |
| 2 | 1 | C2114824 | ASSEMBLY/WELDMENT, INTERMEDIATE TOP, 6.10/10.10 |
| 3 | 1 | C2115490 | ASSEMBLY, CORNER, FRONT, RIGHT, 10.10/10.20 |
| 4 | 1 | C2114452 | WELDMENT, FACE PLATE, LOWER, 6.10/10.10 |
| 5 | 1 | C2114719 | WELDMENT, REINFORCEMENT, DOOR LATCH, 10.10/10.20 |
| 6 | 1 | C2114688 | ASSEMBLY, SLIDE BAR, DISAPPEARING DOOR, 6.10/10.10 |
| 7 | 1 | C2114743 | ASSEMBLY, PANEL, REAR, ELECTRIC & GAS INJ, 10.10 |
| 8 | 1 | C2114783 | ASSEMBLY, PANEL, LEFT SIDE, 10.10 |
| 9 | 1 | C2115375 | WELDMENT, CHANNEL, FRONT, 6.10/10.10 |
| 10 | 1 | C2115443 | FRONT PIECE, PRE-MOUNTED, 10.10 |
| 11 | 1 | C6010001 | WHEEL, BLOWER, 350mm OD X 110mm WIDE, TYPE 304 6.20 & 10.10 COMBI |
| 12 | 1 | C2214190 | PAN RACK, LEFT, ELECTROPOLISHED, 10.10 |
| 13 | 1 | C2214191 | WELDMENT, PAN RACK, RIGHT, 10.10 |
| 14 | 1 | C2614841 | CAVITY LIGHT |
| 15 | 1 | C7011002 | DOOR SEAL, 10.10 |
| 16 | 1 | C2614802 | ASSEMBLY, SLIDING PLATE VST 10.10/10.20 |
| 17 | 1 | C2013006 | WELDMENT, HINGE CARRIER, UPPER, DOOR |
| 18 | 1 | C2614740 | ASSEMBLY, GUIDE CLIP, VST, COUNTERTOP MODEL |
| 19 | 1 | C26142661 | ASSEMBLY, CONTROLLER |
| 20 | 1 | C2614263 | ASSEMBLY, CORE TEMPERATURE SENSOR |
| 21 | 1 | C2514352 | ASSEMBLY, DOOR 10.10 |
| C6012001 | 22 | C2216070 | ASSEMBLED, BLOCK |
| 23 | 1 | C2608962 | ASSEMBLY, NEGATIVE PRESSURE SAFETY VENT |
| 24 | 1 | C22160801 | ASSEMBLY, HAND SHOWER, 10.10, 6.10 |
| 25 | 1 | C2114731 | FACEPLATE, UPPER X.10 |
| 26 | 1 | C2114634 | CORNER, WELDED, REAR, LEFT, 10.10/10.20 |
| 27 | 1 | 111544 | WASHER, BELLEVILLE, M10, SMOOTH, TYPE 301 SST, 10.21mm ID X 24mm OD X 1.85mm THICK |
| 28 | 1 | 111543 | RING, RETAINING, EXTERNAL, 1/4", STAINLESS STEEL, WALDES #5100-25H |
| 29 | 1 | 111542 | WASHER, BELLEVILLE, M8, SERRATED BOTH SIDES, SST, 8.4mm ID X 13mm OD X 0.8mm THICK |
| 30 | 1 | 111540 | NUT, HEX, M10 X 1.5 (DIN 934), STAINLESS STEEL |
| 31 | 4 | C8006060 | SCHNORR LOCK WASHER |
| 32 | 4 | C8005050 | WASHER, 8.4 A2 DIN 125 |
| 33 | 4 | C8004057 | NUT, HEX, M8 A4 |
| 34 | 4 | C6015213 | SPACER, MOTOR 1.299 (FAN DISTANCE 2.008in) |
| 35 | 1 | C6015210 | SHIM, WEARING MOTOR SHAFT SEAL |
| 36 | 1 | C6015206 | BUSHING, LABYRINTH |
| 37 | 1 | C6015050 | SPRING, MOTOR SHAFT SEAL |
| 38 | 1 | C2114140 | MOTOR MOUNTING PLATE |
| 39 | 2 | C6015021 | SEALING RING, MOTOR SHAFT, VITON, COMBI |
| 40 | 1 | 111541 | NUT, HEX, LEFT-HAND, M8 X 1.25 (DIN 934L), STAINLESS STEEL |
| 41 | 1 | C6012009 | GUIDE STRIP, LOWER VST |
| 42 | 4 | C6012011 | DOORSTOPPER VA VST |
| 43 | 1 | C2114817 | COVER PANEL VST 10.10/10.20 |
| 44 | 1 | C6012008 | SUPPORT STRIP RST |
| 45 | 1 | 19993 | SWITCH, ROCKER, DPDT, ON/OFF 15A, 125V |
| 46 | 1 | C2017001 | SAFETY RAIL VST 6.10/10.10 |
| 47 | 1 | C6005427 | DIAPHRAGM GROMMET ø 83 (DG60) FOR VAC. REG. VALVE |
| 48 | 1 | C6005048 | DIAPHRAGM GROMMET ø 60 mm (DG 48) |
| 49 | 1 | C2414125 | FINAL ASSEMBLY, CONDENSER |
| 50 | 1 | 109641 | PORT ASSY, DESCALER |
| 51 | 1 | C2114287 | ASSEMBLY, AIR OUTLET |
| 52 | 1 | C5001041 | SAFETY TEMPERATURE LIMITER, 340°C |
| 53 | 1 | C2114798 | BRACKET, HIGH LIMIT, STEAM GENERATOR |
| 54 | 1 | C2214143 | ASSEMBLY, INTAKE PANEL, GEN, 10.10, |
| 55 | 1 | C2114296 | ASSY, CONTROL PANEL, STEAM GEN, WITH PICTO |
| 56 | 1 | 300480 | ASSY., COMP. PANEL, OGB 6.20/10.10 |
| 57 | 1 | C50180211 | MOTOR W/STUD, ALL VOLTAGES, 3-PHASE, 4 POLE, 0.6KW, GAS COMBI |
| 58 | 1 | C2215042 | WELDMENT, INNER HOUSING, GAS, GEN, 10.10, REI |
| 59 | 1 | C2314882 | STEAM GENERATOR, GAS, 10.10, PREASSEMBLED |
| 60 | 1 | C2010000 | WELDMENT, HEAT EXCHANGER, GAS, 10.10/20.10 |
| 61 | 1 | C2614862 | BURNER INSERT, 10.10/20.10, HOT AIR, NAT GAS |
| 62 | 1 | C2314900 | ASSEMBLY, BURNER INSERT, GEN, GAS, 6.20/10.10, NAT |
| 63 | 1 | C2114545 | BASE, GAS, GEN, 10.10 W/CLEANING |
| 64 | 1 | C2115463 | ASSEMBLY, PANEL, TOP, GAS GEN, 10.10 |
| 65 | 1 | C2018000 | DRIP TRAY, 10.10 |
| 66 | 1 | C2016009 | COVER, BYPASS |
| 67 | 1 | C2216796 | ASSEMBLY, COVER, DEHUMIDIFYING GUTTER |

1010 GAS INJ W CLEANING

Washer Arm C2611068

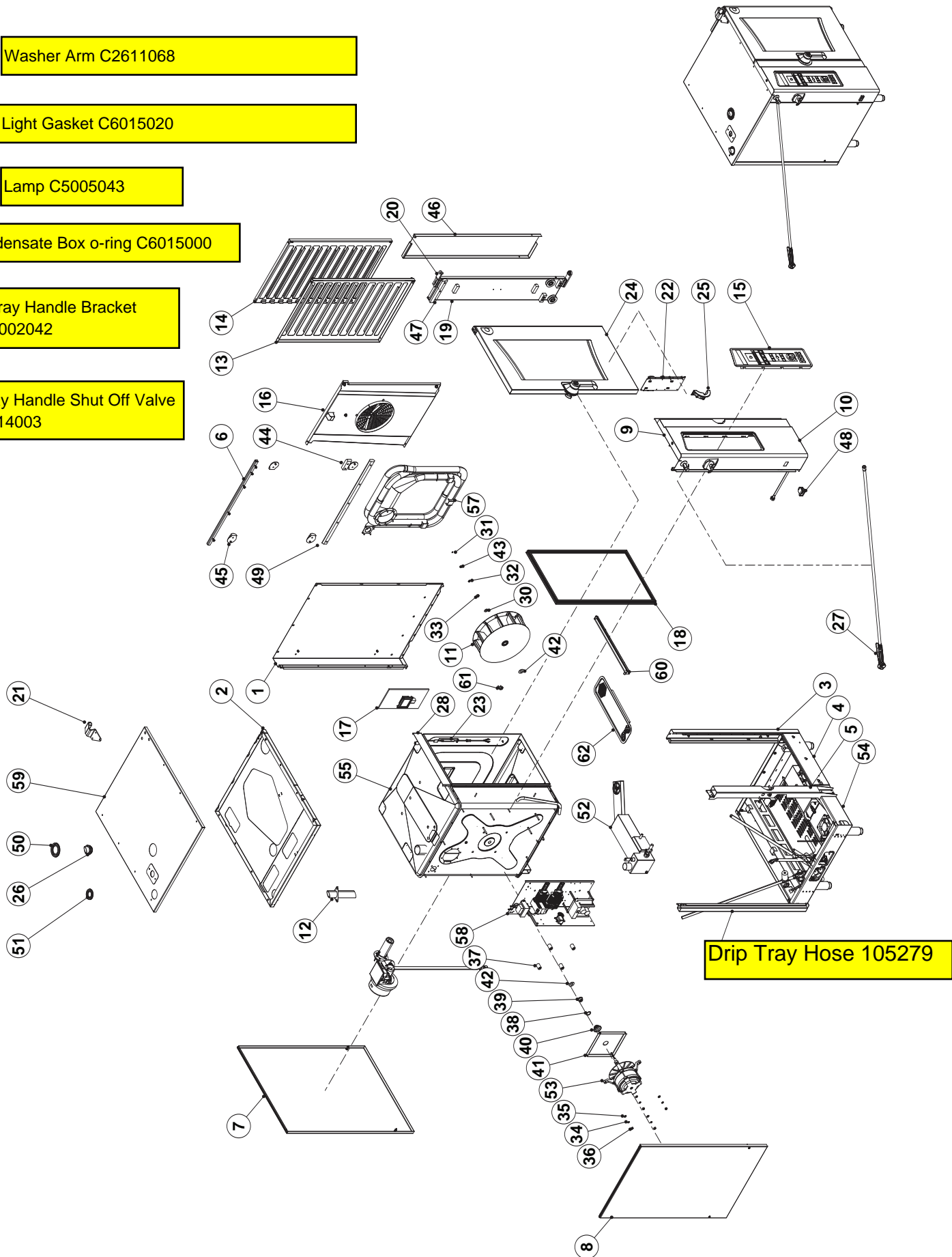
Light Gasket C6015020

Lamp C5005043

Condensate Box o-ring C6015000

Spray Handle Bracket
C2002042

Spray Handle Shut Off Valve
C6014003



Drip Tray Hose 105279

1010 GAS INJ W CLEANING

| ITEM | QTY | PART NO. | DESCRIPTION |
|------|-----|---------------------|--|
| 1 | 1 | C2115483 | ASSEMBLY, PANEL, RIGHT SIDE, 10.10 |
| 2 | 1 | C2114824 | ASSEMBLY/WELDMENT, INTERMEDIATE TOP, 6.10/10.10 |
| 3 | 1 | C2115490 | ASSEMBLY, CORNER, FRONT, RIGHT, 10.10/10.20 |
| 4 | 1 | C2114452 | WELDMENT, FACE PLATE, LOWER, 6.10/10.10 |
| 5 | 1 | C2114719 | WELDMENT, REINFORCEMENT, DOOR LATCH, 10.10/10.20 |
| 6 | 1 | C2114688 | ASSEMBLY, SLIDE BAR, DISAPPEARING DOOR, 6.10/10.10 |
| 7 | 1 | C2114743 | ASSEMBLY, PANEL, REAR, ELECTRIC & GAS INJ, 10.10 |
| 8 | 1 | C2114783 | ASSEMBLY, PANEL, LEFT SIDE, 10.10 |
| 9 | 1 | C2115375 | WELDMENT, CHANNEL, FRONT, 6.10/10.10 |
| 10 | 1 | C2115443 | FRONT PIECE, PRE-MOUNTED, 10.10 |
| 11 | 1 | C6010001 | WHEEL, BLOWER, 350mm OD X 110mm WIDE, TYPE 304 SST, 6.20 & 10.10 COMBI |
| 12 | 1 | C2114292 | AIR OUTLET CONECTING PIECE 20.20 GEN. 6.20/10.10/20.20 INJ. |
| 13 | 1 | C22141901 | PAN RACK, LEFT, ELECTROPOLISHED, 10.10 |
| 14 | 1 | C2214191 | WELDMENT, PAN RACK, RIGHT, 10.10 |
| 15 | 1 | C2114296-3 | ASSY, CONTROL PANEL, SPRITZER, WITH PICTO |
| 16 | 1 | C2214153 | ASSEMBLY, INTAKE PANEL INJ 10.10 |
| 17 | 1 | C2614841 | CAVITY LIGHT |
| 18 | 1 | C7011002 | DOOR SEAL, 10.10 |
| 19 | 1 | C2614802 | ASSEMBLY, SLIDING PLATE VST 10.10/10.20 |
| 20 | 1 | C2013006 | WELDMENT, HINGE CARRIER, UPPER, DOOR |
| 21 | 1 | C2614740 | ASSEMBLY, GUIDE CLIP, VST, COUNTERTOP MODEL |
| 22 | 1 | C26142661 | ASSEMBLY, CONTROLLER |
| 23 | 1 | C2614263 | ASSEMBLY, CORE TEMPERATURE SENSOR |
| 24 | 1 | C2514352 | ASSEMBLY, DOOR 10.10 |
| 25 | 1 | C2216070 | ASSEMBLED, BLOCK |
| 26 | 1 | C2608962 | ASSEMBLY, NEGATIVE PRESSURE SAFETY VENT |
| 27 | 1 | C22160801 | ASSEMBLY, HAND SHOWER, 10.10, 6.10 |
| 28 | 1 | C2114731 | FACEPLATE, UPPER X.10 |
| 29 | 1 | C2114634 | CORNER, WELDED, REAR, LEFT, 10.10/10.20 |
| 30 | 1 | 111544 | WASHER, BELLEVILLE, M10, SMOOTH, TYPE 301 SST, 10.21mm ID X 24mm OD X 1.85mm THICK |
| 31 | 1 | 111543 | RING, RETAINING, EXTERNAL, 1/4", STAINLESS STEEL, WALDES #5100-25H |
| 32 | 1 | 111542 | WASHER, BELLEVILLE, M8, SERRATED BOTH SIDES, SST, 8.4mm ID X 13mm OD X 0.8mm THICK |
| 33 | 1 | 111540 | NUT, HEX, M10 X 1.5 (DIN 934), STAINLESS STEEL |
| 34 | 4 | C8006060 | SCHNORR LOCK WASHER |
| 35 | 4 | C8005050 | WASHER, 8.4 A2 DIN 125 |
| 36 | 4 | C8004057 | NUT, HEX, M8 A4 |
| 37 | 4 | C6015213 | SPACER, MOTOR 1.299 (FAN DISTANCE 2.008in) |
| 38 | 1 | C6015210 | SHIM, WEARING MOTOR SHAFT SEAL |
| 39 | 1 | C6015206 | BUSHING, LABYRINTH |
| 40 | 1 | C6015050 | SPRING, MOTOR SHAFT SEAL |
| 41 | 1 | C2114140 | MOTOR MOUNTING PLATE |
| 42 | 2 | C6015021 | SEALING RING, MOTOR SHAFT, VITON, COMBI |
| 43 | 1 | 111541 | NUT, HEX, LEFT-HAND, M8 X 1.25 (DIN 934L), STAINLESS STEEL |
| 44 | 1 | C6012009 | GUIDE STRIP, LOWER VST |
| 45 | 4 | C6012011 | DOORSTOPPER VA VST |
| 46 | 1 | C2114817 | COVER PANEL VST 10.10/10.20 |
| 47 | 1 | C6012008 | SUPPORT STRIP RST |
| 48 | 1 | 19993 | SWITCH, ROCKER, DPDT, ON/OFF 15A, 125V |
| 49 | 1 | C2017001 | SAFETY RAIL VST 6.10/10.10 |
| 50 | 1 | C6005427 | DIAPHRAGM GROMMET ø 83 (DG60) FOR VAC. REG. VALVE |
| 51 | 1 | C6005048 | DIAPHRAGM GROMMET ø 60 mm (DG 48) |
| 52 | 1 | C2414125 | FINAL ASSEMBLY, CONDENSER |
| 53 | 1 | C50180211 | MOTOR W/STUD, ALL VOLTAGES, 3-PHASE, 4 POLE, 0.6KW, GAS COMBI |
| 54 | 1 | C2114535 | BASE, GAS, INJ, 10.10 W/CLEANING |
| 55 | 1 | C2215041 | WELDMENT, INNER HOUSING, GAS, INJ, 10.10, REI |
| 56 | 1 | C2614862 | BURNER INSERT, 10.10/20.10, HOT AIR, NAT GAS |
| 57 | 1 | C2010000 | WELDMENT, HEAT EXCHANGER, GAS, 10.10/20.10 |
| 58 | 1 | 300488 | ASSY., COMP. PANEL, OGS 6.20/10.10 |
| 59 | 1 | C2115453 | ASSEMBLY, TOP PANEL, GAS INJ, 10.10 |
| 60 | 1 | C2018000 | DRIP TRAY, 10.10 |
| 61 | 1 | C2016009 | COVER, BYPASS |
| 62 | 1 | C2216796 | ASSEMBLY, COVER, DEHUMIDIFYING GUTTER |

620 GAS GEN W CLEANING

No Descaler cover
111584

Washer Arm C2611068

Set of racks with center support
FK1119821

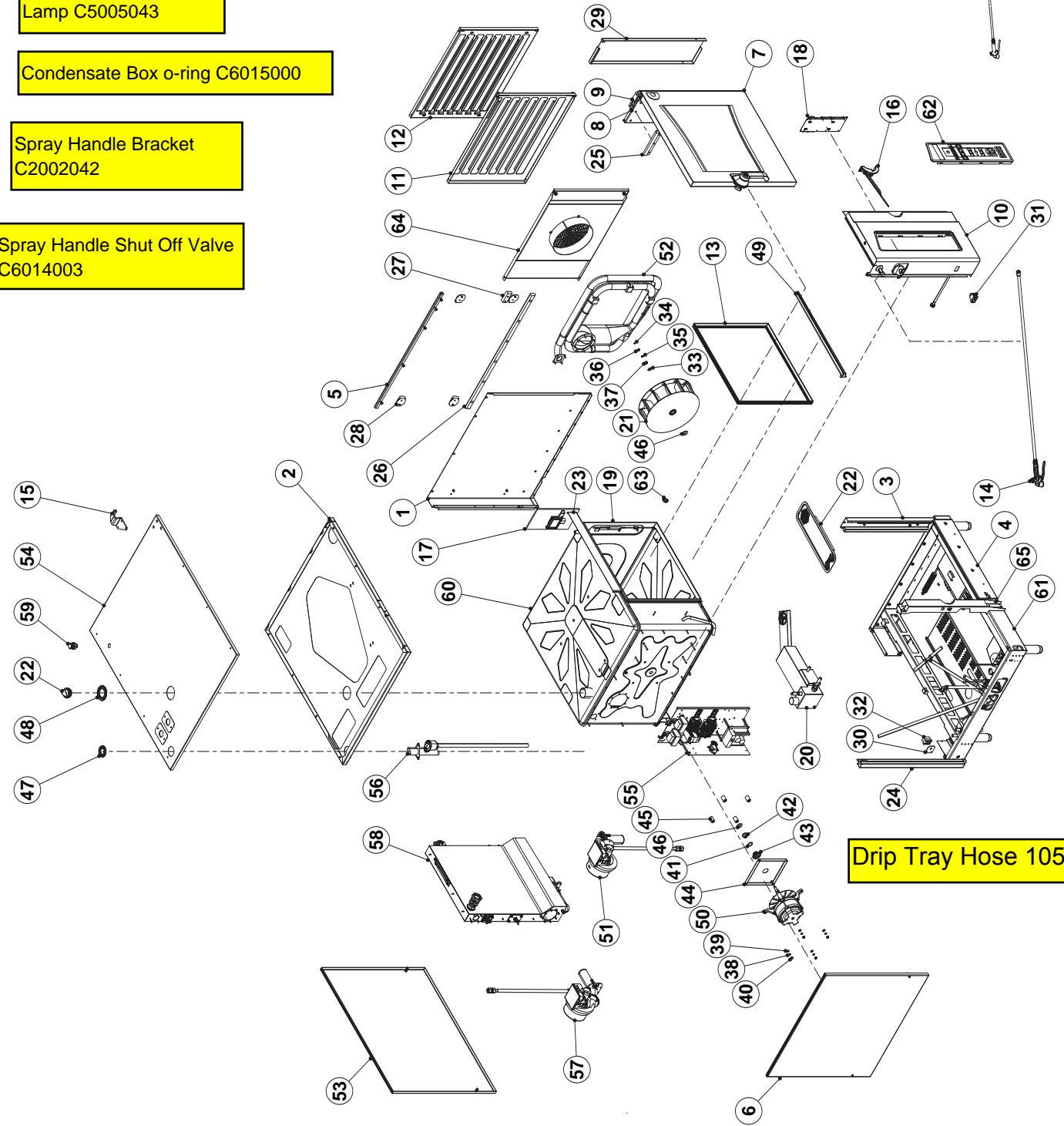
Light Gasket C6015020

Lamp C5005043

Condensate Box o-ring C6015000

Spray Handle Bracket
C2002042

Spray Handle Shut Off Valve
C6014003



Drip Tray Hose 105279

620 GAS GEN W CLEANING

| ITEM | QTY | PART NO. | DESCRIPTION |
|------|-----|-----------|--|
| 1 | 1 | C2115482 | ASSEMBLY, PANEL, RIGHT SIDE, 6.20 |
| 2 | 1 | C2114826 | ASSEMBLY/WELDMNT, INTERMEDIATE TOP, 6.20/10.20 |
| 3 | 1 | C2115489 | ASSEMBLY, CORNER, FRONT, RIGHT, 6.20 |
| 4 | 1 | C2114453 | WELDMNT, FACEPLATE, LOWER, 6.20/10.20 |
| 5 | 1 | C2114690 | ASSEMBLY, SLIDE BAR, DISAPPEARING DOOR, X.20 |
| 6 | 1 | C2114782 | ASSEMBLY, PANEL, LEFT SIDE, 6.20 |
| 7 | 1 | C2514351 | DOOR 6.20 COMPLETE |
| 8 | 1 | C2614801 | SLIDING PLATE VST 6.20 COMPLETE |
| 9 | 1 | C2013006 | WELDMNT, HINGE CARRIER, UPPER, DOOR |
| 10 | 1 | C2115442 | ASSEMBLY, CORNER, FRONT LEFT, 6.20 |
| 11 | 1 | C22141881 | PAN RACKS,LEFT, ELECTROPOLISHED, 6.20 |
| 11 | 1 | C22141891 | PAN RACKS,RIGHT, ELECTROPOLISHED, 6.20 |
| 13 | 1 | C7011004 | DOOR SEAL, 6.20 |
| 14 | 1 | C2216080 | ASSEMBLY, HAND SHOWER |
| 15 | 1 | C2614740 | ASSEMBLY, GUIDE CLIP, VST, COUNTERTOP MODEL |
| 16 | 1 | C6012001 | ASSEMBLY, BLOCK |
| 17 | 1 | C2614841 | CAVITY LIGHT |
| 18 | 1 | C26142661 | ASSEMBLY, CONTROLLER |
| 19 | 1 | C2614263 | ASSEMBLY, CORE TEMPERATURE SENSOR |
| 20 | 1 | C2414125 | FINAL ASSEMBLY, CONDENSER |
| 21 | 1 | C6010001 | WHEEL, BLOWER, 350mm OD X 110mm WIDE, TYPE 304 SST, 6.20 & 10.10 COMBI |
| 22 | 1 | C2608962 | ASSEMBLY, NEGATIVE PRESSURE SAFETY VENT |
| 23 | 1 | C2114732 | FACEPLATE, UPPER X.20 |
| 24 | 1 | C2114633 | CORNER, WELDED, REAR, LEFT, 6.20 |
| 25 | 1 | C6012008 | SUPPORT STRIP RST |
| 26 | 1 | C2017000 | SAFETY RAIL, VST, X.20 |
| 27 | 1 | C6012009 | GUIDE STRIP, LOWER VST |
| 28 | 4 | C6012011 | DOORSTOPPER VA VST |
| 29 | 1 | C2114816 | COVER PANEL, DISAPPEARING DOOR RST 6.20 |
| 30 | 1 | C2114798 | BRACKET, HIGH LIMIT, STEAM GENERATOR |
| 31 | 1 | C5001041 | SAFETY TEMPERATURE LIMITER, 340°C |
| 33 | 1 | 111544 | WASHER, BELLEVILLE, M10, SMOOTH, TYPE 301 SST, 10.21mm ID X 24mm OD X 1.85mm THICK |
| 34 | 1 | 111543 | RING, RETAINING, EXTERNAL, 1/4", STAINLESS STEEL, WALDES #5100-25H |
| 35 | 1 | 111542 | WASHER, BELLEVILLE, M8, SERRATED BOTH SIDES, SST, 8 x4mm ID X 13mm OD X 0.8mm THICK |
| 36 | 1 | 111541 | NUT, HEX, LEFT-HAND, M8 X 1.25 (DIN 934L), STAINLESS STEEL |
| 37 | 1 | 111540 | NUT, HEX, M10 X 1.5 (DIN 934), STAINLESS STEEL |
| 38 | 4 | C8006060 | SCHNORR LOCK WASHER |
| 39 | 4 | C8005050 | WASHER, 8.4 A2 DIN 125 |
| 40 | 4 | C8004057 | NUT, HEX, M8 A4 |
| 41 | 1 | C6015210 | SHIM, WEARING MOTOR SHAFT SEAL |
| 42 | 1 | C6015206 | BUSHING, LABYRINTH |
| 43 | 1 | C6015050 | SPRING, MOTOR SHAFT SEAL |
| 44 | 1 | C2114140 | MOTOR MOUNTING PLATE |
| 45 | 4 | C6015213 | SPACER, MOTOR 1.299 (FAN DISTANCE 2.008in) |
| 46 | 2 | C6015021 | SEALING RING, MOTOR SHAFT, VITON, COMBI |
| 47 | 1 | C6005048 | DIAPHRAGM GROMMET ø 60 mm (DG 48) |
| 48 | 1 | C6005427 | DIAPHRAGM GROMMET ø 83 (DG60) FOR VAC. REG. VALVE |
| 49 | 1 | C2018001 | DRIP TRAY, DOOR |
| 50 | 1 | C50180211 | MOTOR W/STUD, ALL VOLTAGES, 3-PHASE, 4 POLE, 0.6KW, GAS COMBI |
| 51 | 1 | C2614860 | BURNER INSERT, 6.20, AIR, COMPLETE, NAT GAS |
| 52 | 1 | C2010032 | HEAT EXCHANGER 6.20 WELDED |
| 53 | 1 | C2114742 | ASSEMBLY, PANEL, REAR, ELECTRIC & GAS INJ, 6.20 |
| 54 | 1 | C2115462 | ASSEMBLY, TOP PANEL, GAS GEN, 6.20 |
| 55 | 1 | 300480 | ASSY., COMP. PANEL, OGB 6.20/10.10 |
| 56 | 1 | C2114287 | ASSEMBLY, AIR OUTLET, |
| 57 | 1 | C2314900 | ASSEMBLY, BURNER INSERT, GEN, GAS, 6.20/10.10, NAT |
| 58 | 1 | C2314881 | ASSEMBLY, STEAM GENERATOR, GAS 6.20 |
| 59 | 1 | 109641 | PORT ASSY, DESCALER |
| 60 | 1 | C2215026 | ASSEMBLY, INNER HOUSING, 6.20, GAS, STEAM GEN, REI, KTM |
| 61 | 1 | C21145471 | BASE, 6.20 GAS GEN, W/CLEAN |
| 62 | 1 | C2114296 | ASSY, CONTROL PANEL, STEAM GEN, WITH PICTO |
| 63 | 1 | C2016009 | COVER, BYPASS |
| 64 | 1 | C2214142 | INTAKE PANEL STEAM GENERATOR 6.20, COMPLETE |
| 65 | 1 | C2114718 | ASSEMBLY, REINFORCEMENT, DOOR LATCH, 6.20 |

620 GAS INJ W CLEANING

No Descaler cover
111584

Washer Arm C2611068

Light gasket C6015020

Lamp C5005043

Condensate Box o-ring C6015000

Spray Handle Bracket
C2002042

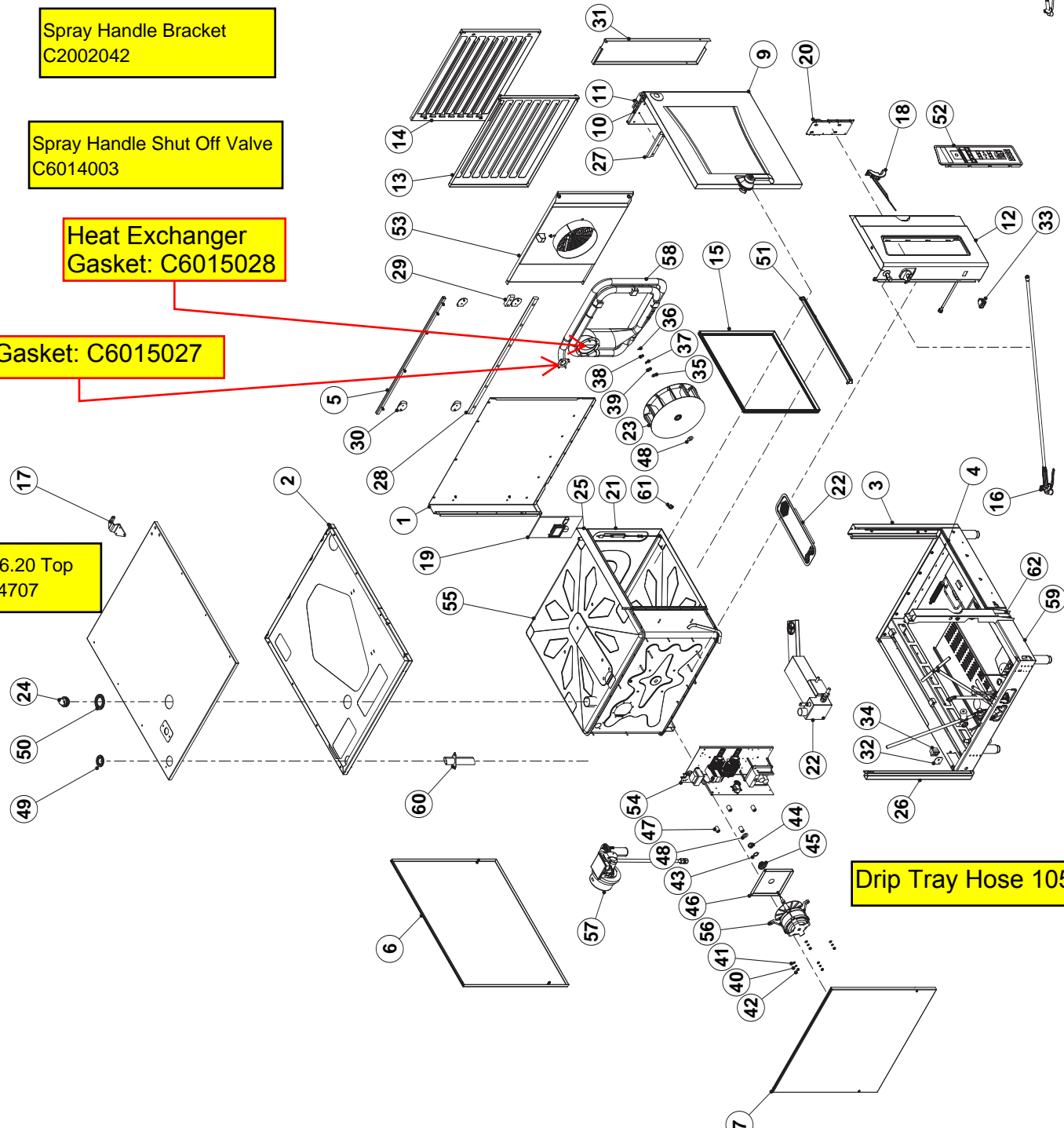
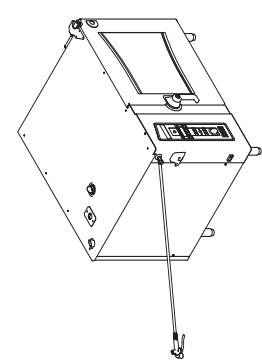
Spray Handle Shut Off Valve
C6014003

Heat Exchanger
Gasket: C6015028

Flue Gasket: C6015027

OGS 6.20 Top
C2114707

Drip Tray Hose 105279



620 GAS INJ W CLEANING

| ITEM | QTY | PART NO. | DESCRIPTION |
|------|-----|------------|---|
| 1 | 1 | C2115482 | ASSEMBLY, PANEL, RIGHT SIDE, 6.20 |
| 2 | 1 | C2114826 | ASSEMBLY/WELDMENT, INTERMEDIATE TOP, 6.20/10.20 |
| 3 | 1 | C2115489 | ASSEMBLY, CORNER, FRONT, RIGHT, 6.20 |
| 4 | 1 | C2114453 | WELDMENT, FACEPLATE, LOWER, 6.20/10.20 |
| 5 | 1 | C2114690 | ASSEMBLY, SLIDE BAR, DISAPPEARING DOOR, X.20 |
| 6 | 1 | C2114742 | ASSEMBLY, PANEL, REAR, ELECTRIC & GAS INJ, 6.20 |
| 7 | 1 | C2114782 | ASSEMBLY, PANEL, LEFT SIDE, 6.20 |
| 8 | 1 | C2115452 | ASSEMBLY, TOP PANEL, GAS INJ, 6.20 |
| 9 | 1 | C2514351 | DOOR 6.20 COMPLETE |
| 10 | 1 | C2614801 | SLIDING PLATE VST 6.20 COMPLETE |
| 11 | 1 | C2013006 | WELDMENT, HINGE CARRIER, UPPER, DOOR |
| 12 | 1 | C2115442 | ASSEMBLY, CORNER, FRONT LEFT, 6.20 |
| 13 | 1 | C22141881 | PAN RACKS, LEFT, ELECTROPOLISHED, 6.20 |
| 14 | 1 | C22141891 | PAN RACKS, RIGHT, ELECTROPOLISHED, 6.20 |
| 15 | 1 | C7011004 | DOOR SEAL, 6.20, |
| 16 | 1 | C2216080 | ASSEMBLY, HAND SHOWER |
| 17 | 1 | C2614740 | ASSEMBLY, GUIDE CLIP, VST, COUNTERTOP MODEL |
| 18 | 1 | C6012001 | ASSEMBLY, BLOCK |
| 19 | 1 | C2614841 | CAVITY LIGHT |
| 20 | 1 | C26142661 | ASSEMBLY, CONTROLLER |
| 21 | 1 | C2614263 | ASSEMBLY, CORE TEMPERATURE SENSOR |
| 22 | 1 | C2414125 | FINAL ASSEMBLY, CONDENSER |
| 23 | 1 | C6010001 | WHEEL, BLOWER, 350mm OD X 110mm WIDE, TYPE 304 SST, 6.20 & 10.10 COMBI |
| 24 | 1 | C2608962 | ASSEMBLY, NEGATIVE PRESSURE SAFETY VENT |
| 25 | 1 | C2114732 | FACEPLATE, UPPER X.20 |
| 26 | 1 | C2114633 | CORNER, WELDED, REAR, LEFT, 6.20 |
| 27 | 1 | C6012008 | SUPPORT STRIP RST |
| 28 | 1 | C2017000 | SAFETY RAIL, VST, X.20 |
| 29 | 1 | C6012009 | GUIDE STRIP, LOWER VST |
| 30 | 4 | C6012011 | DOORSTOPPER VA VST |
| 31 | 1 | C2114816 | COVER PANEL, DISAPPEARING DOOR RST 6.20 |
| 32 | 1 | C2114798 | BRACKET, HIGH LIMIT, STEAM GENERATOR |
| 33 | 1 | 19993 | SWITCH, ROCKER, DPDT, ON/OFF 15A, 125V |
| 34 | 1 | C5001041 | SAFETY TEMPERATURE LIMITER, 340°C |
| 35 | 1 | 111544 | WASHER, BELLEVILLE, M10, SMOOTH, TYPE 301 SST, 10.21mm ID X 24mm OD X 1.85mm THICK |
| 36 | 1 | 111543 | RING, RETAINING, EXTERNAL, 1/4", STAINLESS STEEL, WALDES #5100-25H |
| 37 | 1 | 111542 | WASHER, BELLEVILLE, M8, SERRATED BOTH SIDES, SST, 8.4mm ID X 13mm OD X 0.8mm THICK |
| 38 | 1 | 111541 | NUT, HEX, LEFT-HAND, M8 X 1.25 (DIN 934L), STAINLESS STEEL |
| 39 | 1 | 111540 | NUT, HEX, M10 X 1.5 (DIN 934), STAINLESS STEEL |
| 40 | 4 | C8006060 | SCHNORR LOCK WASHER |
| 41 | 4 | C8005050 | WASHER, 8.4 A2 DIN 125 |
| 42 | 4 | C8004057 | NUT, HEX, M8 A4 |
| 43 | 1 | C6015210 | SHIM, WEARING MOTOR SHAFT SEAL |
| 44 | 1 | C6015206 | BUSHING, LABYRINTH |
| 45 | 1 | C6015050 | SPRING, MOTOR SHAFT SEAL |
| 46 | 1 | C2114140 | MOTOR MOUNTING PLATE |
| 47 | 4 | C6015213 | SPACER, MOTOR 1.299 (FAN DISTANCE 2.008in) |
| 48 | 2 | C6015021 | SEALING RING, MOTOR SHAFT, VITON, COMBI |
| 49 | 1 | C6005048 | DIAPHRAGM GROMMET ø 60 mm (DG 48) P2 |
| 50 | 1 | C6005427 | DIAPHRAGM GROMMET ø 83 (DG60) FOR VAC. REG. VALVE |
| 51 | 1 | C2018001 | DRIP TRAY, DOOR |
| 52 | 1 | C2114296-3 | ASSY, CONTROL PANEL, SPRITZER, WITH PICTO |
| 53 | 1 | C2214152 | ASSEMBLY, INTAKE PLATE, IN, 6.20 |
| 54 | 1 | 300488 | ASSY., COMP. PANEL, OGS 6.20/10.10 |
| 55 | 1 | C2215025 | ASSEMBLY, INNER SHELL 6.20, GAS, IN, REI, KTM |
| 56 | 1 | C50180211 | MOTOR W/STUD, ALL VOLTAGES, 3-PHASE, 4 POLE, 0.6KW, GAS COMBI |
| 57 | 1 | C2614860 | BURNER INSERT, 6.20, AIR, COMPLETE, NAT GAS |
| 58 | 1 | C2010032 | HEAT EXCHANGER 6.20 WELDED |
| 59 | 1 | C2114537 | BASE, GAS, INJ, 6.20, W/ CLEANING |
| 60 | 1 | C2114292 | AIR OUTLET CONNECTING PIECE 20.20 GEN. 6.20/10.10/20.20INJ. |
| 61 | 1 | C2016009 | COVER, BYPASS |
| 62 | 1 | C2114718 | ASSEMBLY, REINFORCEMENT, DOOR LATCH, 6.20 |

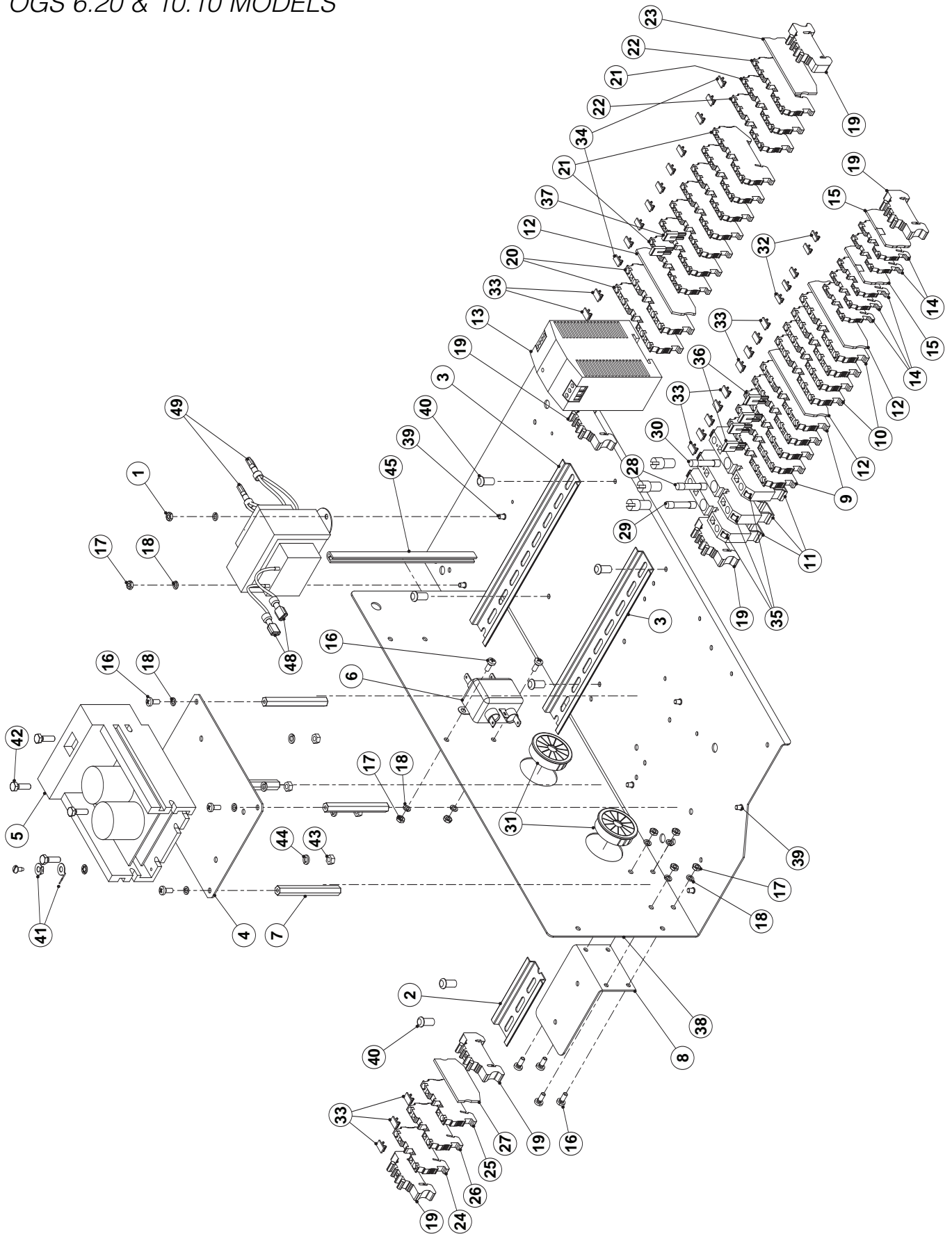
COMPONENT PANEL ASSEMBLY, GAS

OGB 6.20 & 10.10 MODELS

| ITEM | QTY | PART NO. | DESCRIPTION |
|-------------|------------|-----------------|--|
| 1 | 2 | 300419 | TRANSFORMER, 24V |
| 2 | 1 | 111603 | DIN RAIL 3.25" |
| 3 | 2 | 111601 | DIN RAIL 8.375" |
| 4 | 1 | 111526 | PLATE, ADAPTER, A.C. DRIVE |
| 5 | 1 | 300412 | AC DRIVE (6.20-10.10) |
| 6 | 1 | 300413 | LINE FILTER, 10A |
| 7 | 4 | C8009043 | M4 HEX STAND OFF, 70 MM |
| 8 | 1 | C5116110 | BRACKET, TERMINAL BLOCK, COMPONENT PANEL |
| 9 | 5 | C4014012 | TERMINAL BLOCK, SPRING-LOADED, FOUR-WIRE, BLUE |
| 10 | 4 | C4014006 | TERMINAL BLOCK, CONDUCTOR, SPRING-LOADED |
| 11 | 3 | C4014037 | DINRAIL MOUNTED FUSEHOLDER (6.3X32) |
| 12 | 3 | C4014011 | COVER, FOUR-WIRE |
| 13 | 1 | 300350 | POWER SUPPLY (12V) |
| 14 | 5 | C4014030 | TERMINAL BLOCK, SPRING LOADED, 1.5MM2 |
| 15 | 2 | C4014031 | COVER 2.5 MM2 |
| 16 | 14 | C8001024 | SCREW, FILISTER HD, M4x10 DIN 7985 |
| 17 | 6 | 111605 | M4 NUT |
| 18 | 14 | 111606 | M4 LOCK WASHER |
| 19 | 6 | C4014000 | SNAP-ON END BRACKET |
| 20 | 2 | C4014013 | TERMINAL BLOCK, SPRING- LOADED, FOUR-WIRE |
| 21 | 8 | C4014010 | TERMINAL, SPRING LOADED, FOUR WIRE, 2.5 MM2 |
| 22 | 2 | C4014009 | TERMINAL BLOCK, SPRING LOADED, 1.5 MM2, BLUE |
| 23 | 1 | C4014008 | COVER FOUR-WIRE 2.5 MM2 |
| 24 | 1 | C4014024 | TERMINAL, FEED THROUGH, 4 MM2 |
| 25 | 1 | C4014016 | TERMINAL, GROUNDED, SPRING LOADED, 2.5 MM2 |
| 26 | 1 | C4014023 | TERMINAL, FEED THROUGH,4MM2, BLUE |
| 27 | 1 | C4014020 | COVER 4 MM2 |
| 28 | 1 | 300418 | FUSE MDA-1 |
| 29 | 1 | 300416 | FUSE MDA-2 |
| 30 | 1 | KE52936-9 | FUSE, MDA-15 |
| 32 | 5 | C4014033 | LABEL BLANK, TERMINAL BLOCK, ZB4 |
| 33 | 14 | C4014044 | LABEL, BLANK, TERMINAL BLOCK, ZB6 |
| 34 | 10 | C4014032 | SERRATED COVER STRIP,PLAIN ZB5 |
| 35 | 6 | C4014039 | LABEL BLANK, TERMINAL BLOCK, ZBF6 |
| 36 | 4 | C4014001 | JUMPER, 2 PIN |
| 37 | 2 | C4014002 | JUMPER 2-PIN |
| 38 | 1 | C5115400 | PANEL, ELECTRICAL COMPONENT 6.10/6.20/10.10 |
| 40 | 6 | 106123 | SCREW, 10-32 X 1/2, TORX/ PAN HD, THRD FORMING, ZN |
| 41 | 2 | 20323 | RING TO MALE TAB TERMINAL |
| 42 | 4 | C8003095 | HEXAGON BOLT, M5x16, A2 HUD 20.20 |
| 43 | 4 | C8004030 | HEXAGON NUT, M5 |
| 44 | 4 | C8006030 | RING, SPRING RETAINER, B5, A2 |
| 45 | 1 | C700106606000 | EDGE GUARD |
| 46 | 1 | 300483 | WIRE HARNESS, 6.20/10.10 |
| 47 | 1 | 300501 | WIRE HARNESS, POWER, OGB/OGS 6.20/10.10 |
| 48 | 4 | 20370 | TERM., FULL INSUL, MALE, 0.250 TAB |
| 49 | 4 | 300231 | TERM., FULL INSUL, FEMALE, 0.250 TAB |
| 57 | 2 | 111751 | BUSHING, UNIVERSAL,1.5DIA HOLE,HEYCO#2213,SNAP-IN UL |
| 58 | 4 | 106127 | SCREW, 6-32 X 1/2, TORX/PAN HD |

COMPONENT PANEL ASSEMBLY, GAS

OGS 6.20 & 10.10 MODELS

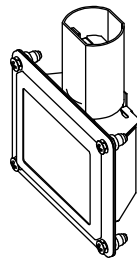
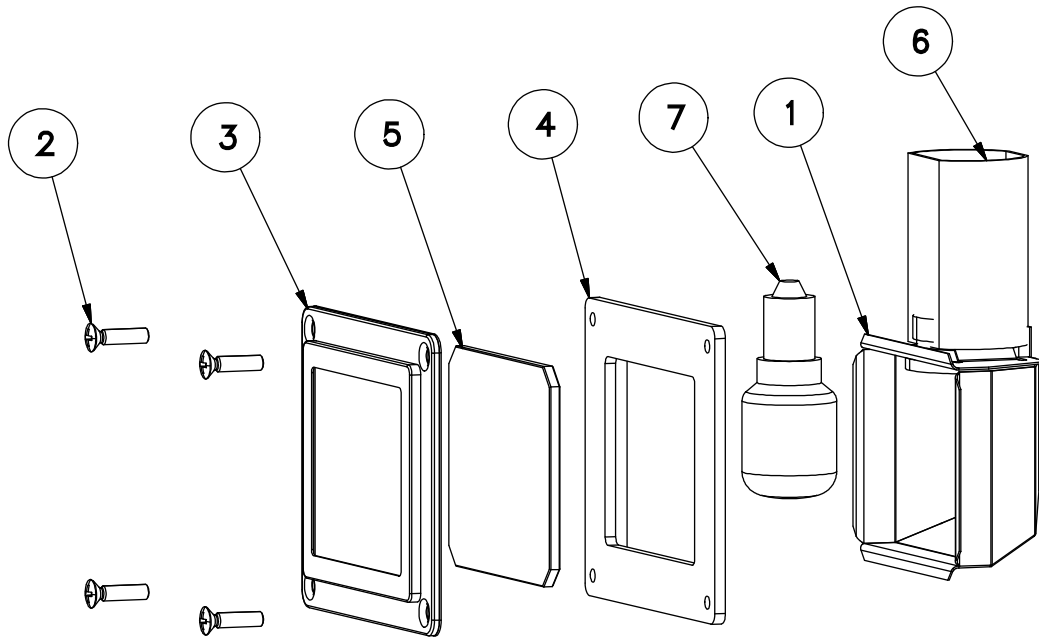


COMPONENT PANEL ASSEMBLY, GAS

OGS 6.20 & 10.10 MODELS

| ITEM | QTY | PART NO. | DESCRIPTION |
|------|-----|---------------|---|
| 1 | 1 | 300419 | TRANSFORMER, 24V |
| 2 | 1 | 111603 | DIN RAIL 3.25" |
| 3 | 2 | 111601 | DIN RAIL 8.375" |
| 4 | 1 | 111526 | PLATE, ADAPTER, A.C. DRIVE (NOT SHOWN) |
| 5 | 1 | 300412 | AC DRIVE (6.20-10.10) (NOT SHOWN) |
| 6 | 1 | 300413 | LINE FILTER, 10A |
| 7 | 4 | C8009043 | M4 HEX STAND OFF, 70 MM |
| 8 | 1 | C5116110 | BRACKET, TERMINAL BLOCK, COMPONENT |
| 9 | 5 | C4014012 | TERMINAL BLOCK, SPRING-LOADED, FOUR-WIRE, BLUE |
| 10 | 4 | C4014006 | TERMINAL BLOCK, CONDUCTOR, SPRING-LOADED |
| 11 | 3 | C4014037 | DINRAIL MOUNTED FUSEHOLDER (6.3X32) |
| 12 | 3 | C4014011 | COVER, FOUR-WIRE |
| 13 | 1 | 300350 | POWER SUPPLY (12V) |
| 14 | 5 | C4014030 | TERMINAL BLOCK, SPRING LOADED, 1.5MM2 |
| 15 | 2 | C4014031 | COVER 2.5 MM2 |
| 16 | 10 | C8001024 | SCREW, FILISTER HD, M4x10 DIN 7985 |
| 17 | 8 | 111605 | M4 NUT |
| 18 | 12 | 111606 | M4 LOCK WASHER |
| 19 | 6 | C4014000 | SNAP-ON END BRACKET |
| 20 | 2 | C4014013 | TERMINAL BLOCK, SPRING- LOADED, FOUR-WIRE |
| 21 | 8 | C4014010 | TERMINAL, SPRING LOADED, FOUR WIRE, 2.5 |
| 22 | 2 | C4014009 | TERMINAL BLOCK, SPRING LOADED, 1.5 MM2, |
| 23 | 1 | C4014008 | COVER FOUR-WIRE 2.5 MM2 |
| 24 | 1 | C4014024 | TERMINAL, FEED THROUGH, 4 MM2 |
| 25 | 1 | C4014016 | TERMINAL, GROUNDED, SPRING LOADED, 2.5 MM2 |
| 26 | 1 | C4014023 | TERMINAL, FEED THROUGH,4MM2, BLUE |
| 27 | 1 | C4014020 | COVER 4 MM2 |
| 28 | 1 | 300418 | FUSE MDA-1 |
| 29 | 1 | 300416 | FUSE MDA-2 |
| 30 | 1 | KE52936-9 | FUSE, MDA-15 |
| 31 | 2 | 111751 | BUSHING, UNIVERSAL, 1.5DIA HOLE,HEYCO# 2213, SNAP-IN UL |
| 32 | 5 | C4014033 | LABEL BLANK, TERMINAL BLOCK, ZB4 |
| 33 | 14 | C4014044 | LABEL, BLANK, TERMINAL BLOCK, ZB6 |
| 34 | 10 | C4014032 | SERRATED COVER STRIP,PLAIN ZB5 |
| 35 | 6 | C4014039 | LABEL BLANK, TERMINAL BLOCK, ZBF6 |
| 36 | 4 | C4014001 | JUMPER, 2 PIN |
| 37 | 2 | C4014002 | JUMPER 2-PIN |
| 38 | 1 | C5115400 | PANEL, ELECTRICAL COMPONENT 6.10/6.20/10.10 |
| 39 | 6 | C8001022 | STUD, WELD, M4 X 6, CD, SST |
| 40 | 6 | 106123 | SCREW, 10-32 X 1/2, TORX/ PAN HD, THRD FORMING, ZN |
| 41 | 2 | 20323 | RING TO MALE TAB TERMINAL |
| 42 | 4 | C8003095 | HEXAGON BOLT, M5x16, A2 HUD 20.20 |
| 43 | 4 | C8004030 | HEXAGON NUT, M5 |
| 44 | 4 | C8006030 | RING, SPRING RETAINER, B5, A2 |
| 45 | 1 | C700106606000 | EDGE GUARD |
| 46 | 1 | 300490 | WIRE HARNESS,OGS, 6.20/10.10 |
| 47 | 1 | 300501 | WIRE HARNESS, POWER, OGB/OGS 6.20/10.10 |
| 48 | 2 | 20370 | TERM.,FULL INSUL, MALE, 0.250 TAB |
| 49 | 2 | 300231 | TERM., FULL INSUL, FEMALE, 0.250 TAB |

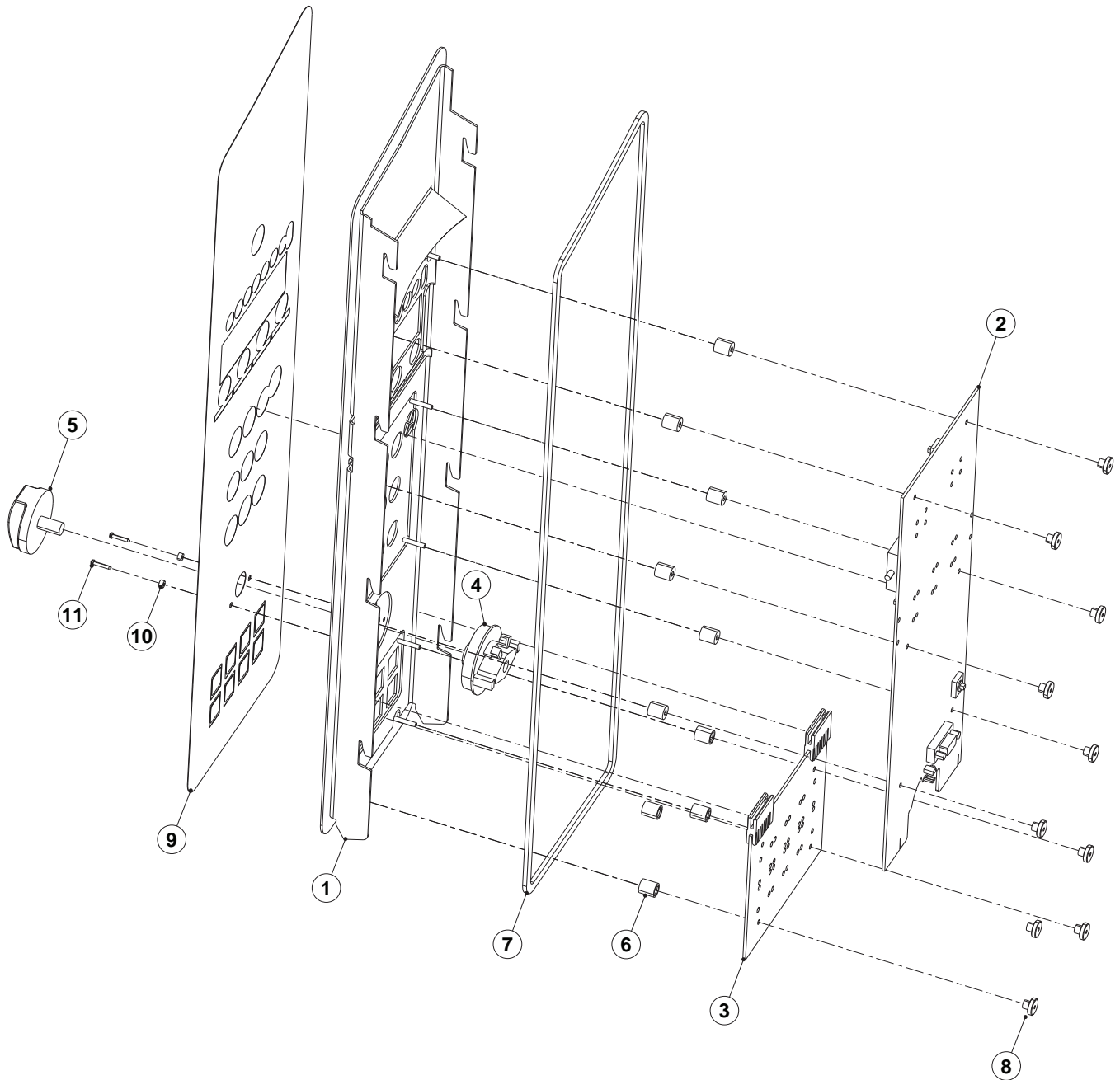
LIGHT ASSEMBLY ALL MODELS



| | | | |
|------|-----|----------|---|
| 7 | 1 | C5005045 | BULB, LIGHT, 25W, 230V (ELECTRIC UNITS) |
| | | C5005043 | BULB, LIGHT, 25W, 120V (GAS UNITS) |
| 6 | 1 | C8019006 | PROTECTION CAP, CAVITY LIGHT |
| 5 | 1 | C5015002 | GLASS, CAVITY LIGHT |
| 4 | 1 | C6015020 | GASKET, CAVITY LIGHT |
| 3 | 1 | C5015003 | FRAME, CAVITY LIGHT |
| 2 | 4 | C8002025 | ROUNDED COUNTERSUNK HEAD SCREW M4X16 |
| 1 | 1 | C5015001 | REFLECTOR HOUSING, CAVITY LIGHT |
| ITEM | QTY | PART NO. | DESCRIPTION |

ASSEMBLY, CONTROL PANEL, WITH PICTO

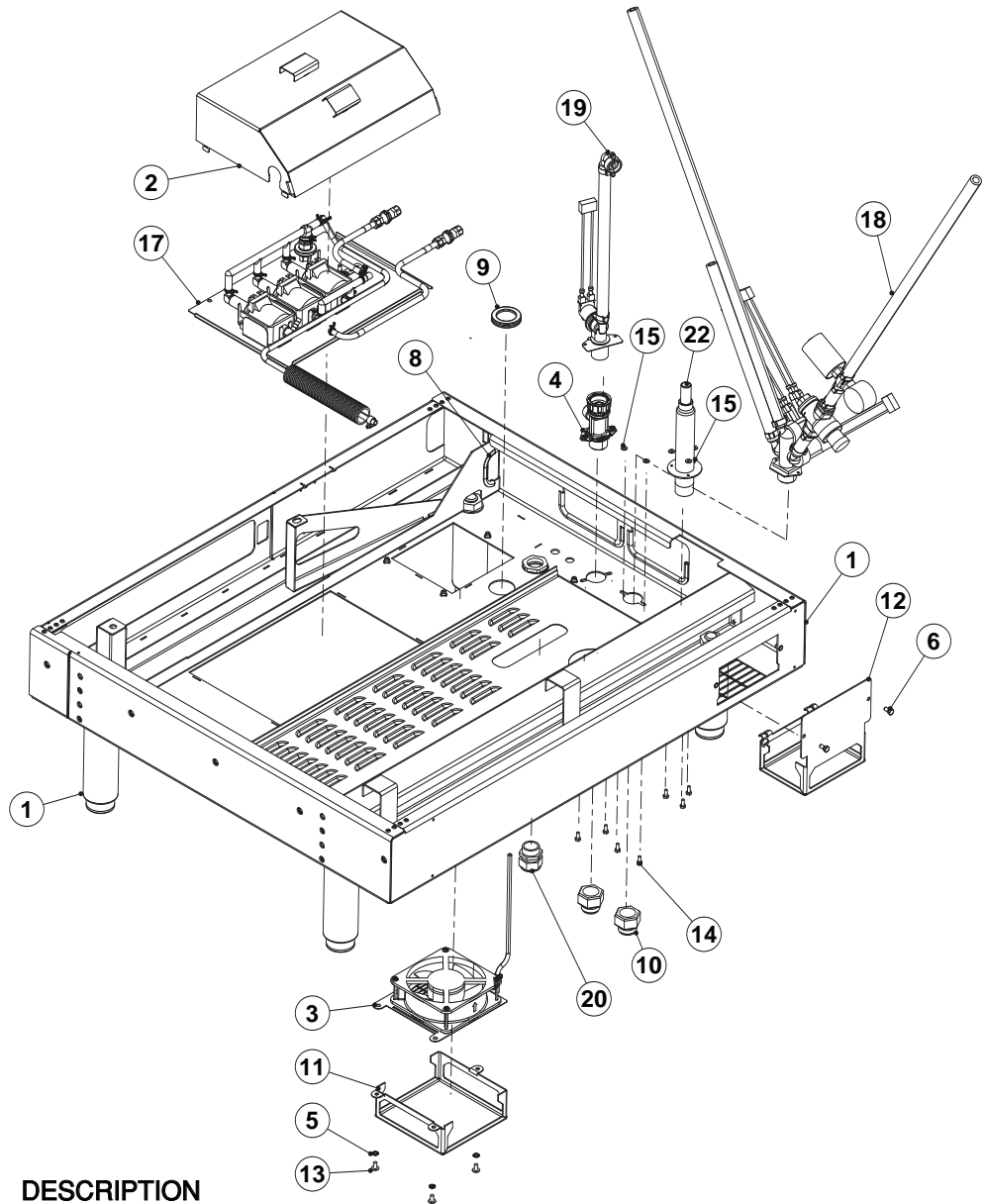
ALL MODELS



| ITEM | QTY | PART NO. | DESCRIPTION |
|------|-----|----------|---|
| 1 | 1 | C2114297 | WELDMENT, CONTROL PANEL |
| 2 | 1 | C5019101 | CONTROLLER, 5010 OPERATING MODULE |
| 3 | 1 | C5019105 | CONTROLLER, 5010 PICTOMODULE PICTO |
| 4 | 1 | C5009313 | LATCH ROCKER |
| 5 | 1 | C5009314 | KNOB, SELECTOR, COMBI |
| 6 | 10 | C8009030 | SPACER, CONTROL PANEL |
| 7 | 1 | C7011010 | GASKET, FRONT PLATE |
| 8 | 10 | C6005254 | NUT, KNURLED |
| 9 | 1 | 111588 | LABEL, CONTROL PANEL, STEAM GEN, WITH PICTO |
| | 1 | 111590 | LABEL, CONTROL PANEL, SPRITZER, WITH PICTO |
| 10 | 2 | C6005270 | SPACER, CONTROL KNOB STOP |
| 11 | 2 | C8007013 | SLOTTED PAN-HEAD TAPPING SCREW 2.2 X 13 |
| 12 | 1 | 300533 | CABLE, CONNECTING, CONTROL (NOT SHOWN) |

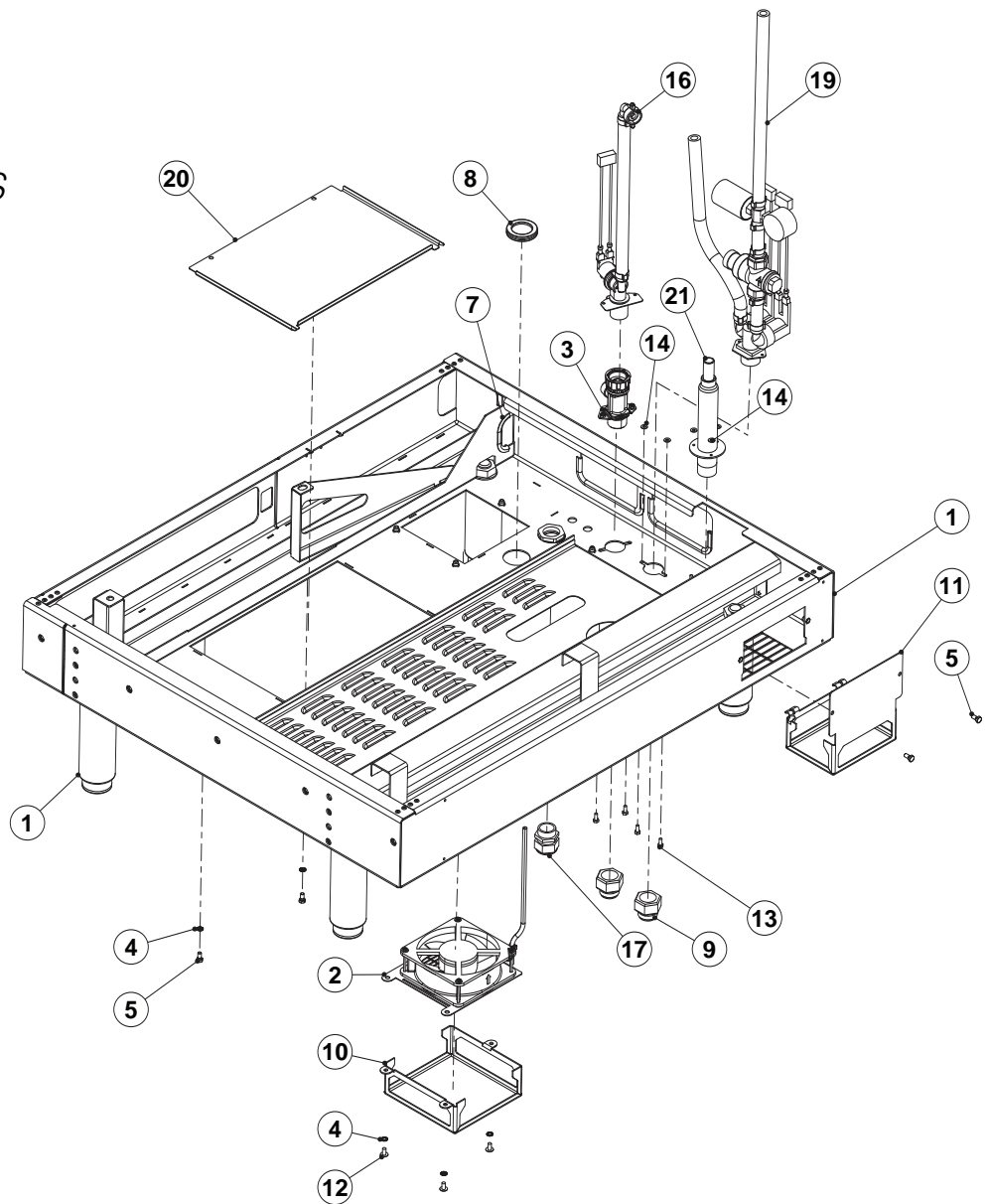
**BASE, GAS,
INJECTOR,
WITH CLEANING**
OGS 10.10 MODELS

Pressure Switch C5009055
Agent Pump 300352



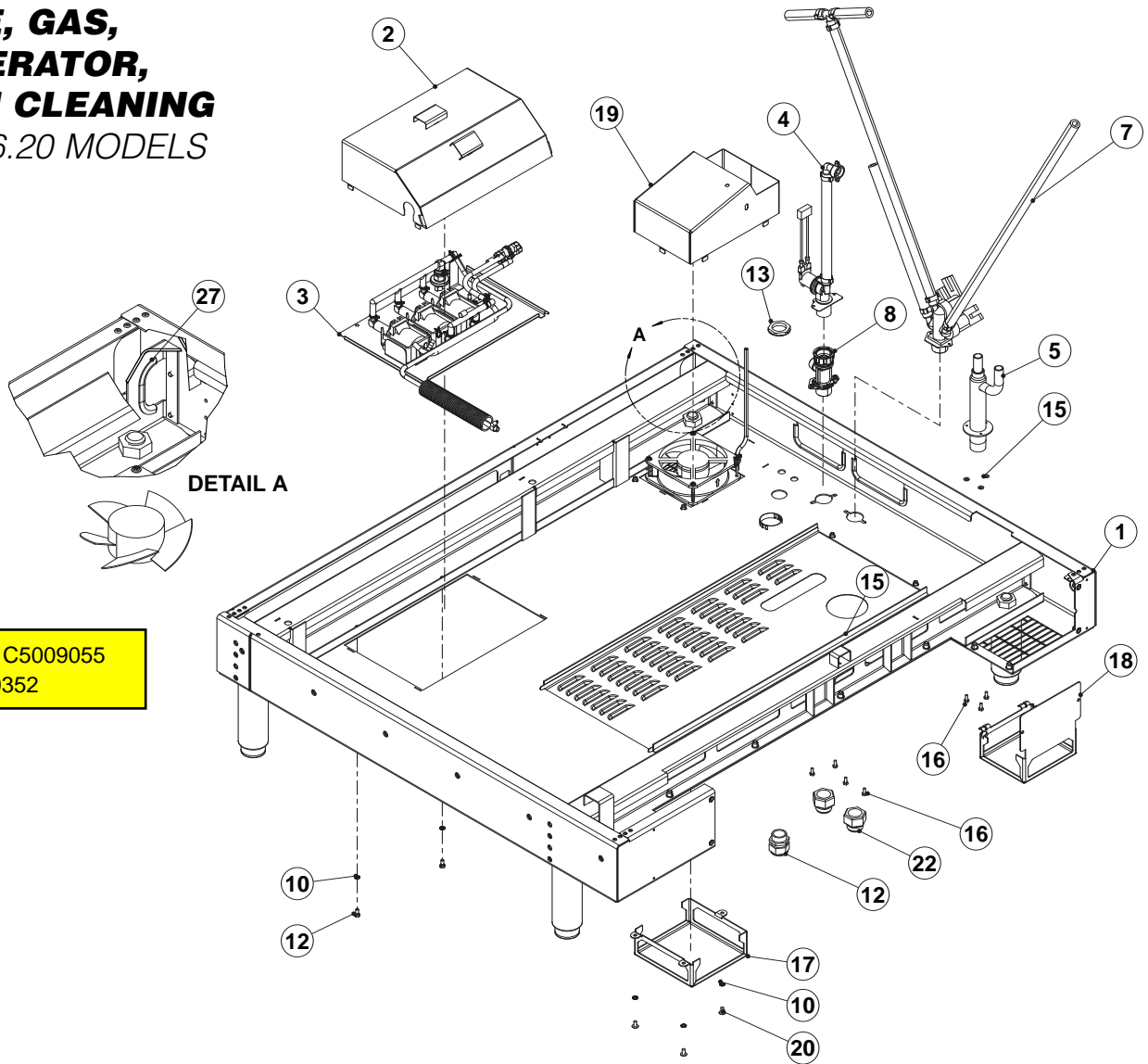
| ITEM | QTY | PART NO. | DESCRIPTION |
|------|-----|-----------------|---|
| 32 | 1 | C5016002 | LOCKNUT M25 |
| 31 | 1 | C700106607000-1 | EDGE PROTECTOR, CUT 7.000" |
| 30 | 1 | C700106607000 | EDGE PROTECTOR, CUT 7.000" |
| 22 | 1 | C2010066 | CONNECTION, GAS, SINGLE 3/4" |
| 20 | 1 | C5016001 | FITTING, ELECTRICAL, LIQUID TIGHT |
| 19 | 1 | C2016147 | CONDENSER HOSE ASSY, GAS |
| 18 | 1 | C2016130 | ASSY, WATER VALVE, GAS, 10.10 |
| 17 | 1 | C2616452 | BOTTOM FLAP, PUMP HOUSING GAS 10.10 110V PREASSEMBLED (NOT SHOWN) |
| 16 | 1 | C5215897 | CABLE HARNESS, ILLUMINATION |
| 15 | 5 | C8005021 | WASHER, 4.3, DIN 125 |
| 14 | 7 | C8013004 | HEXAGON BOLT M4 X 10 |
| 13 | 3 | C8003029 | MLF, SCREW, M5x10 |
| 12 | 1 | 111551 | TRAY, DRIP, FAN, REAR, ELECTRIC & GAS INJ, 6.10/10.10 |
| 11 | 1 | 111522 | TRAY, DRIP, FAN, FRONT, 6.20/20.20/10.10 |
| 10 | 2 | 111538 | ADAPTER, 3/4-14 BSPP FEMALE X 3/4 GHT MALE, GH |
| 9 | 1 | C6005021 | RUBBER BUSHING 42 MM OD |
| 8 | 1 | C70016603000 | EDGE PROTECTOR, CUT 3.000" |
| 6 | 4 | C8003035 | HEXAGON BOLT M5X10 |
| 5 | 5 | C8006058 | SCHNORR LOCK WASHER |
| 4 | 1 | C5011003 | CONNECTION FLANGE |
| 3 | 1 | C2216088 | AIR INLET BOX FINAL ASSEMBLY |
| 2 | 1 | C2114699 | ASSEMBLY, TOP COVER, PUMP HOUSING, AUTO CLEAN SYSTEM |
| 1 | 1 | C2114520 | OUTER BASE, EL, 6.10/10.10 |

**BASE, GAS,
INJECTOR,
NO CLEANING**
OGS 10.10 MODELS



| ITEM | QTY | PART NO. | DESCRIPTION |
|------|-----|-----------------|---|
| 1 | 1 | C2114520 | OUTER BASE, EL, 6.10/10.10 |
| 2 | 1 | C2216088 | AIR INLET BOX FINAL ASSEMBLY |
| 3 | 1 | C5011003 | CONNECTION FLANGE |
| 4 | 5 | C8006058 | SCHNORR LOCK WASHER |
| 5 | 4 | C8003035 | HEXAGON BOLT M5X10 |
| 7 | 1 | C70016603000 | EDGE PROTECTOR, CUT 3.000 |
| 8 | 1 | C6005021 | RUBBER BUSHING 42 MM OD" |
| 9 | 2 | 111538 | ADAPTER, 3/4-14 BSPP FEMALE X 3/4 GHT MALE, GH |
| 10 | 1 | 111522 | TRAY, DRIP, FAN, FRONT, 6.20/20.20/10.10 |
| 11 | 1 | 111551 | TRAY, DRIP, FAN, REAR, ELECTRIC & GAS INJ, 6.10/10.10 |
| 12 | 3 | C8003029 | MLF, SCREW, M5x10 |
| 13 | 7 | C8013004 | HEXAGON BOLT M4 X 10 |
| 14 | 5 | C8005021 | WASHER, 4.3, DIN 125 |
| 15 | 1 | C5215897 | CABLE HARNESS, ILLUMINATION |
| 16 | 1 | C2016147 | CONDENSER HOSE ASSY, GAS |
| 17 | 1 | C5016001 | FITTING, ELECTRICAL, LIQUID TIGHT |
| 19 | 1 | C2016131 | ASSEMBLY, WATER VALVE, ELECTRIC INJECTOR, 6.20 |
| 20 | 1 | C2114626 | COVER, BOTTOM, PUMP HOUSING |
| 21 | 1 | C2010066 | CONNECTION, GAS, SINGLE 3/4" |
| 32 | 1 | C700106607000 | EDGE PROTECTOR, CUT 7.000" |
| 33 | 1 | C700106607000-1 | EDGE PROTECTOR, CUT 7.000" |
| 34 | 1 | C5016002 | LOCKNUT M25 |

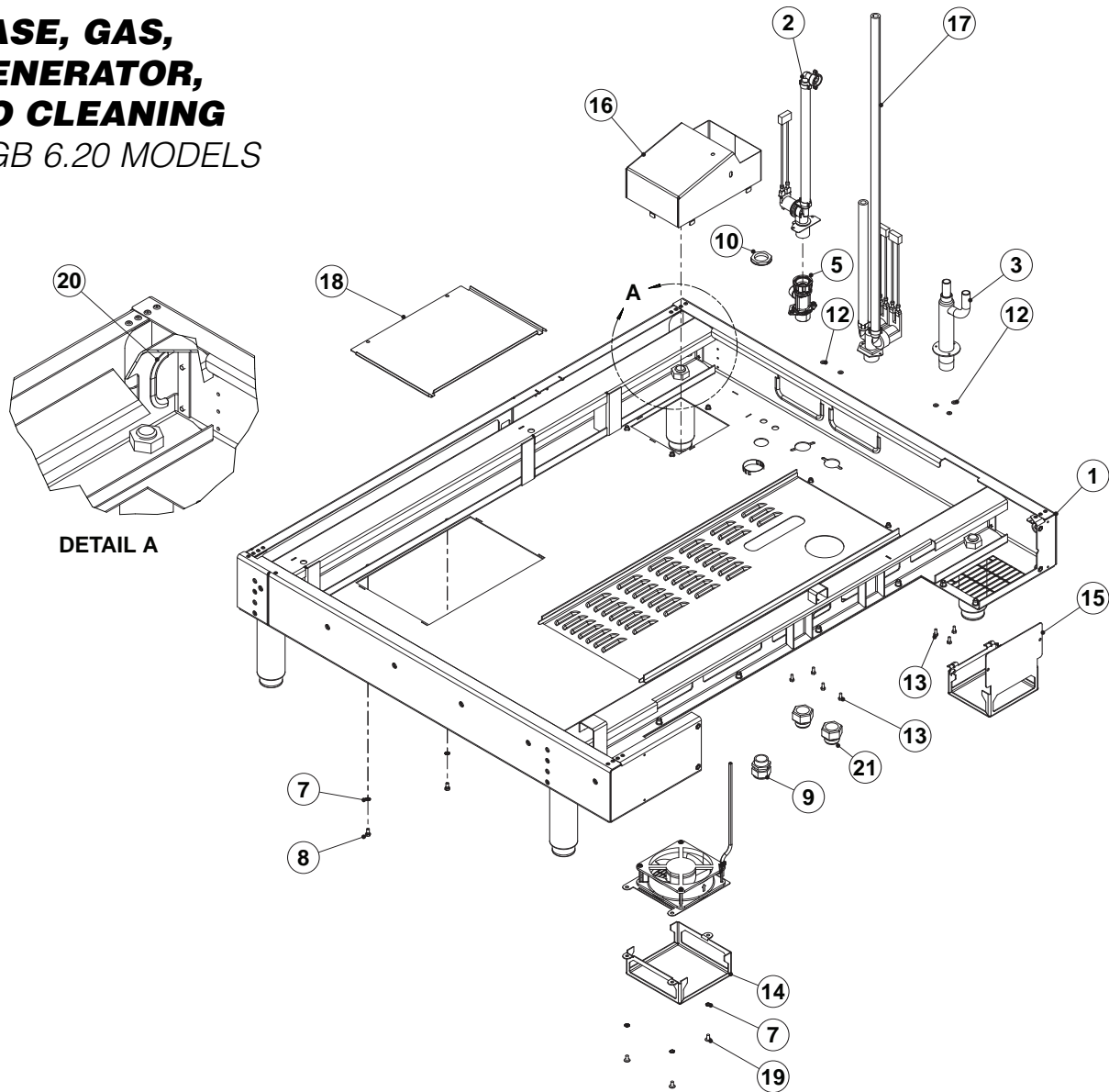
**BASE, GAS,
GENERATOR,
WITH CLEANING**
OGB 6.20 MODELS



Pressure Switch C5009055
Agent Pump 300352

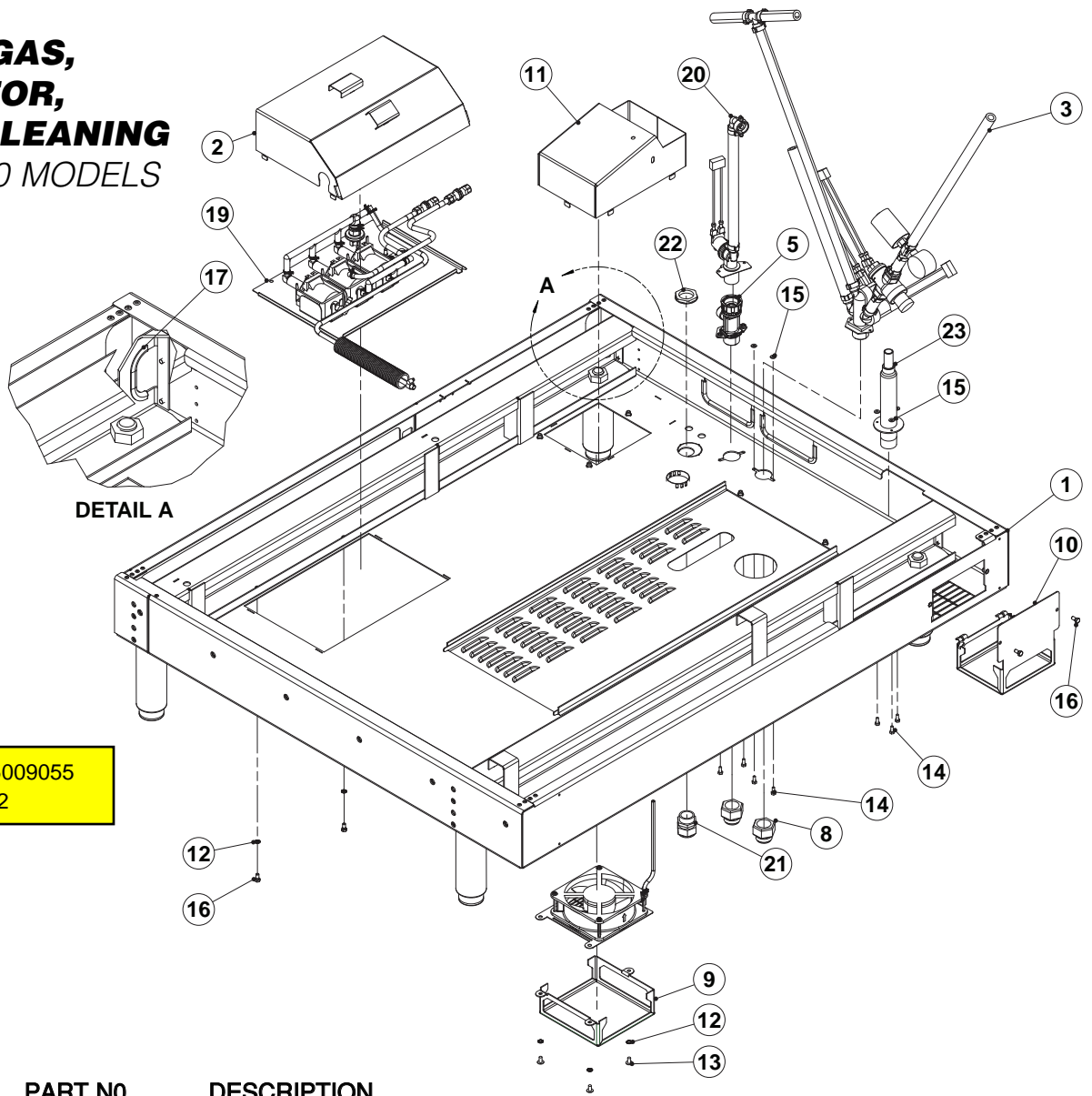
| ITEM | QTY | PART NO. | DESCRIPTION |
|------|-----|-----------------|---|
| 1 | 1 | C2114542 | ASSEMBLY, OUTER BASE, GAS, STEAM GEN, 6.20/10.20 |
| 2 | 1 | C2114699 | ASSEMBLY, TOP COVER, PUMP HOUSING, AUTO CLEAN SYSTEM |
| 3 | 1 | C2616451 | BOTTOM FLAP, PUMP HOUSING, GAS, 6.20, 110V |
| 4 | 1 | C2016147 | CONDENSER HOSE ASSY, GAS |
| 5 | 1 | C2010068 | DOUBLE GAS CONNECTION R 3/4" |
| 7 | 1 | C2016129 | ASSEMBLY, WATER VALVE, GAS, 6.20, GEN W / CLEANING SYSTEM |
| 8 | 1 | C5011003 | CONNECTION FLANGE |
| 10 | 5 | C8006058 | SCHNORR LOCK WASHER |
| 11 | 2 | C8003035 | HEXAGON BOLT M5X10 |
| 12 | 1 | C5016001 | FITTING, ELECTRICAL, LIQUID TIGHT |
| 13 | 1 | C5016002 | LOCKNUT, M25, |
| 15 | 5 | C8005021 | WASHER, 4.3, DIN 125 |
| 16 | 7 | C8013004 | HEXAGON BOLT M4 X 10 |
| 17 | 1 | 111522 | TRAY, DRIP, FAN, FRONT, 6.20/20.20/10.10 |
| 18 | 1 | 111524 | TRAY, DRIP, FAN, REAR, 6.20/20.20 |
| 19 | 1 | C2116092 | BOX, AIR INTAKE |
| 20 | 3 | C8003029 | MLF, SCREW, M5x10 |
| 21 | 1 | C70016603000 | EDGE PROTECTOR, CUT 3.000" |
| 22 | 2 | 111538 | ADAPTER, 3/4-14 BSPP FEMALE X 3/4 GHT MALE, GH |
| 23 | 1 | C5215897 | CABLE, HARNESS, ILLUMINATION |
| 27 | 1 | 111752 | PLUG, 1.500 DIA, HOLE, SNAP-IN |
| 28 | 1 | C2216090 | FAN, AIR INLET BOX ASSEMBLY |
| 29 | 1 | C700106607000 | EDGE PROTECTOR, CUT 7.000" |
| 30 | 1 | C700106607000-1 | EDGE PROTECTOR, CUT 7.000" |

**BASE, GAS,
GENERATOR,
NO CLEANING**
OGB 6.20 MODELS



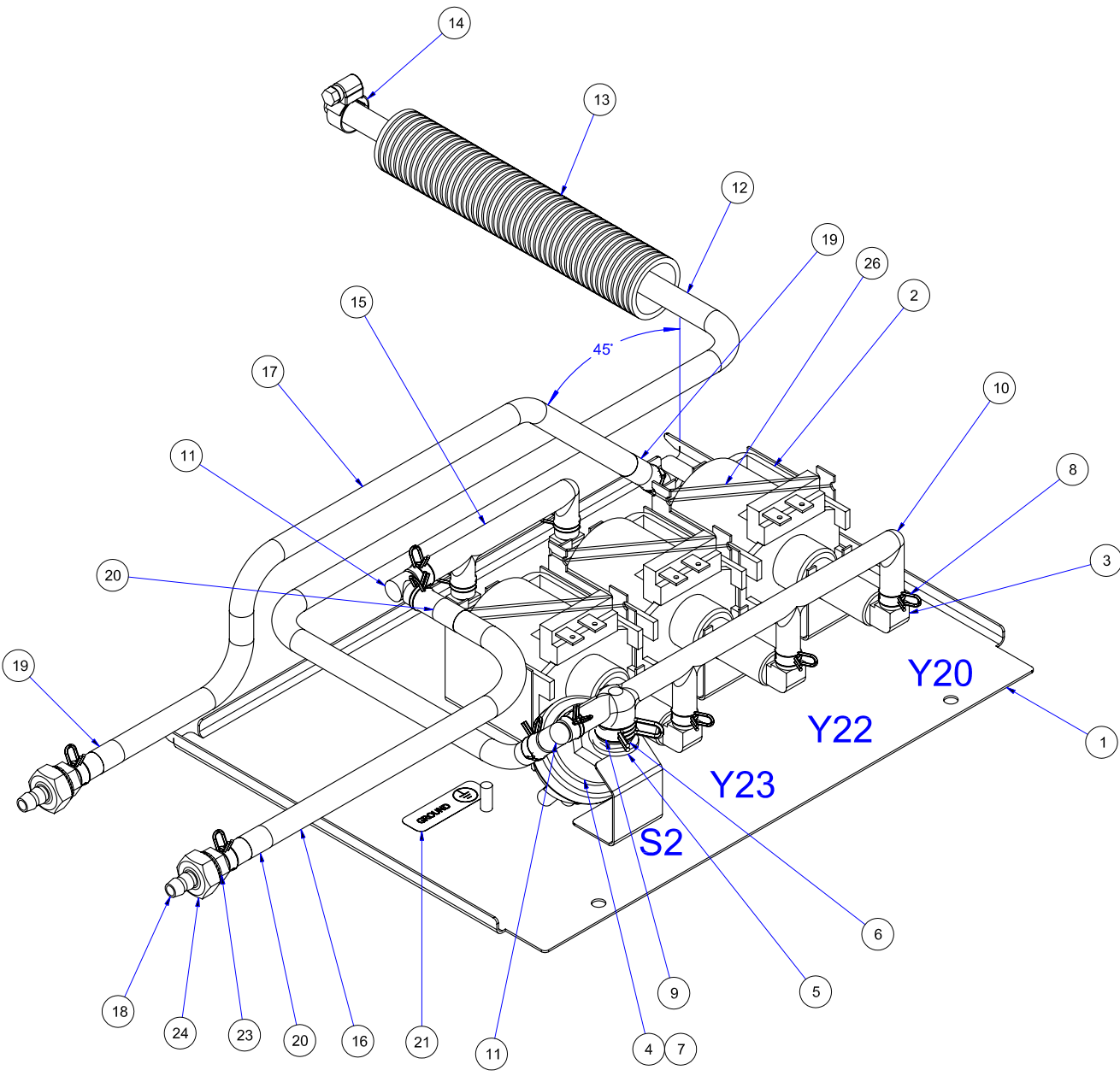
| ITEM | QTY | PART NO. | DESCRIPTION |
|------|-----|-----------------|--|
| 1 | 1 | C2114542 | ASSEMBLY, OUTER BASE, GAS, STEAM GEN, 6.20/10.20 |
| 2 | 1 | C2016147 | CONDENSER HOSE ASSY, GAS |
| 3 | 1 | C2010068 | DOUBLE GAS CONNECTION R 3/4" |
| 5 | 1 | C5011003 | CONNECTION FLANGE |
| 7 | 5 | C8006058 | SCHNORR LOCK WASHER |
| 8 | 2 | C8003035 | HEXAGON BOLT M5X10 |
| 9 | 1 | C5016001 | FITTING, ELECTRICAL, LIQUID TIGHT |
| 10 | 1 | C5016002 | LOCKNUT, M25 |
| 12 | 5 | C8005021 | WASHER, 4.3, DIN 125 |
| 13 | 7 | C8013004 | HEXAGON BOLT M4 X 10 |
| 14 | 1 | 111522 | TRAY, DRIP, FAN, FRONT, 6.20/20.20/10.10 |
| 15 | 1 | 111524 | TRAY, DRIP, FAN, REAR, 6.20/20.20 |
| 16 | 1 | C2116092 | BOX, AIR INTAKE |
| 17 | 1 | C2016126 | ASSY, WATER VALVE, GAS, 6.20 |
| 18 | 1 | C2114626 | COVER, BOTTOM, PUMP HOUSING |
| 19 | 3 | C8003029 | MLF, SCREW, M5x10 |
| 20 | 1 | C70016603000 | EDGE PROTECTOR, CUT 3.000" |
| 21 | 2 | 111538 A | DAPTER, 3/4-14 BSPP FEMALE X 3/4 GHT MALE, GH |
| 23 | 1 | C5215897 | CABLE, HARNESS, ILLUMINATION |
| 29 | 1 | C2216090 | FAN, AIR INLET BOX ASSEMBLY |
| 30 | 1 | 111752 | PLUG, 1.500 DIA, HOLE, SNAP-IN |
| 31 | 1 | C700106607000 | EDGE PROTECTOR, CUT 7.000" |
| 32 | 1 | C700106607000-1 | EDGE PROTECTOR, CUT 7.000" |

**BASE, GAS,
INJECTOR,
WITH CLEANING**
OGS 6.20 MODELS



Pressure Switch C5009055
Agent Pump 300352

| ITEM | QTY | PART NO. | DESCRIPTION |
|------|-----|-----------------|--|
| 1 | 1 | C2114522 | ASSEMBLY, OUTER PLATE EL 6.20/10.20 |
| 2 | 1 | C2114699 | ASSEMBLY, TOP COVER, PUMP HOUSING, AUTO CLEAN SYSTEM |
| 3 | 1 | C2016127 | ASSY, WATER VALVE, GAS, 6.20 |
| 5 | 1 | C5011003 | CONNECTION FLANGE |
| 8 | 2 | 111538 | ADAPTER, 3/4-14 BSPP FEMALE X 3/4 GHT MALE, GH |
| 9 | 1 | 111522 | TRAY, DRIP, FAN, FRONT, 6.20/20.20/10.10 |
| 10 | 1 | 111524 | TRAY, DRIP, FAN, REAR, 6.20/20.20 |
| 11 | 1 | C2116092 | BOX, AIR INTAKE |
| 12 | 5 | C8006058 | SCHNORR LOCK WASHER |
| 13 | 3 | C8003029 | MLF, SCREW, M5x10 |
| 14 | 7 | C8013004 | HEXAGON BOLT M4 X 10 |
| 15 | 5 | C8005021 | WASHER, 4.3, DIN 125 |
| 16 | 4 | C8003035 | HEXAGON BOLT M5X10 |
| 17 | 1 | C70016603000 | EDGE PROTECTOR, CUT 3.000" |
| 18 | 1 | C5215897 | CABLE HARNESS, ILLUMINATION |
| 19 | 1 | C2616451 | BOTTOM FLAP, PUMP HOUSING, GAS, 6.20, 110V |
| 20 | 1 | C2016147 | CONDENSER HOSE ASSY, GAS |
| 21 | 1 | C5016001 | FITTING, ELECTRICAL, LIQUID TIGHT |
| 22 | 1 | C5016002 | LOCKNUT, M25 (NOT SHOWN) |
| 23 | 1 | C2010066 | CONNECTION, GAS, SINGLE 3/4" |
| 30 | 1 | C2216090 | FAN, AIR INLET BOX ASSEMBLY |
| 31 | 1 | 111752 | PLUG, 1.500 DIA, HOLE, SNAP-IN |
| 32 | 1 | C700106607000-1 | EDGE PROTECTOR, CUT 7.000" |
| 33 | 1 | C700106607000 | EDGE PROTECTOR, CUT 7.000" |



NOT SHOWN

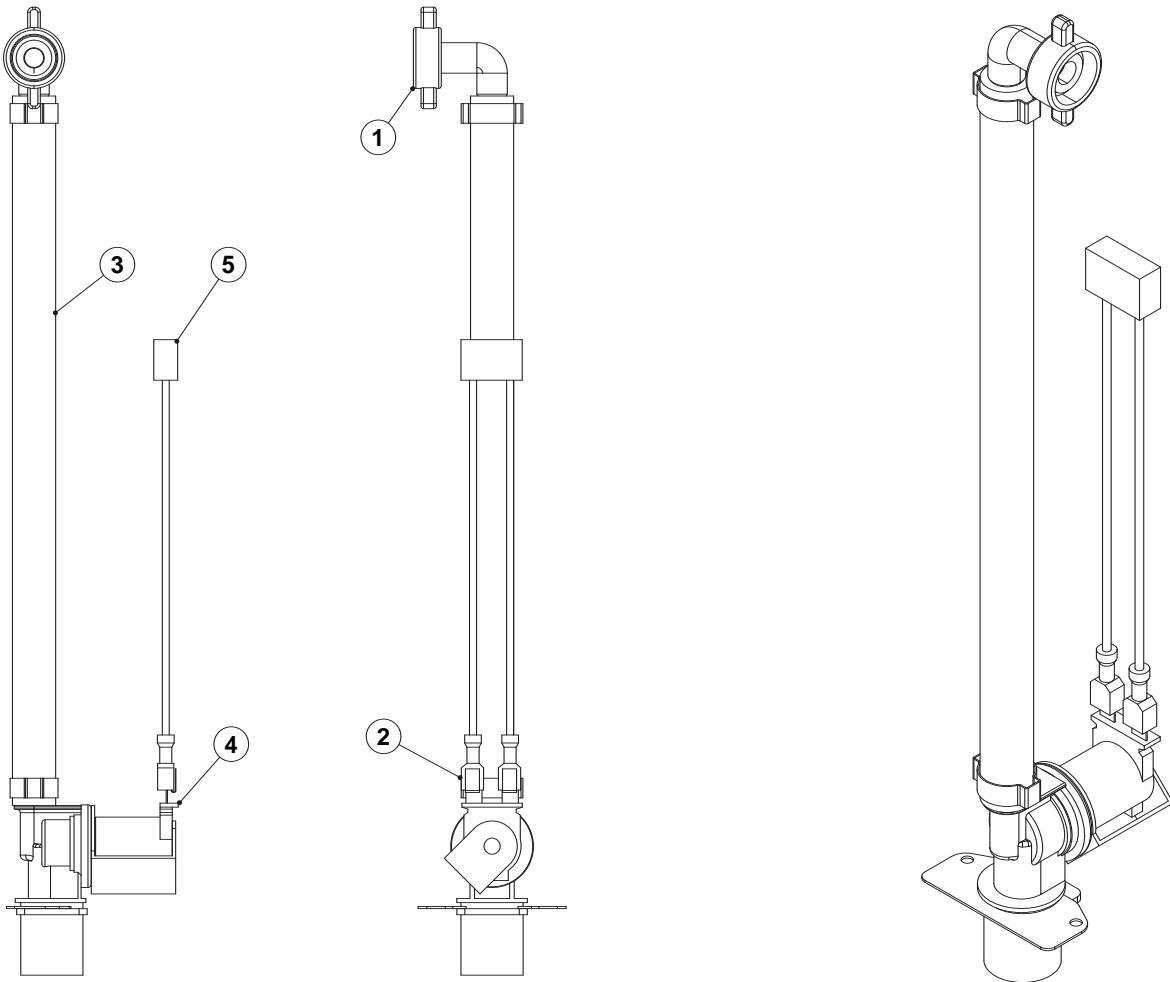
NOT SHOWN

| | | | |
|------|-----|---------------|--|
| 26 | 3 | 078180-1 | O-RING |
| 25 | 1 | 14672 | NUT, HEX, NYLON, 10-32, ZP (FOR GROUND WIRE) |
| 24 | 2 | 111540 | NUT, HEX, M10 X 1.5 (DIN 934), STAINLESS STEEL |
| 23 | 2 | C8006063 | WASHER, BELLEVILLE, M10, SERRATED BOTH SIDES, SST, 10.5mm ID X 16mm OD X 1mm THICK |
| 22 | 1 | C5215887 | HARNES, WIRE, CLEANING, 6.20 |
| 21 | 1 | 14897 | LABEL, GROUND |
| 20 | 2 | C6019109 | LABEL, RED, CONVOCLEAN, CLEANER HOSE |
| 19 | 2 | C6019111 | LABEL, BLUE, CONVOCARE, CLEANER HOSE |
| 18 | 2 | C6015247 | FITTING, BULKHEAD, HOSE, 6mm ID |
| 17 | 1 | C701230245500 | HOSE, EPDM, 6mm ID X 10mm OD, 45.500" LONG |
| 16 | 1 | C701230239500 | HOSE, EPDM, 6mm ID X 10mm OD, 39.500" LONG |
| 15 | 1 | C6014001 | MANIFOLD, SUCTION, CLEANING PUMPS, EPDM |
| 14 | 1 | 106526 | CLAMP, HOSE, WORM DRIVE, 3/8 TO 5/8x5/16W, SST |
| 13 | 1 | C700204433500 | HOSE, PROTECTION, 28mm OD X 23mm ID, CUT 33-1/2" LONG |
| 12 | 1 | C701230258000 | HOSE, EPDM, 6mm ID X 10mm OD, 58.000" LONG |
| 11 | 2 | C6005414 | FITTING, HOSE, 90 DEGREE ELBOW, 6mm BARB X 6mm BARB, PLASTIC (POM) |
| 10 | 1 | C6014000 | MANIFOLD, DISCHARGE, CLEANING PUMPS, EPDM |
| 9 | 1 | C8019010 | CLAMP, HOSE, SPRING, DOUBLE WIRE, 14.1 - 14.8 mm (0.555 - 0.583 in) |
| 8 | 12 | C8009058 | CLAMP, HOSE, SPRING, DOUBLE WIRE, 9.1 - 9.6 mm (0.358 - 0.378 in) |
| 7 | A/R | 111568 | THREAD SEALANT, (LOCTITE 577) |
| 6 | 1 | C6015229 | BUSHING, THREADED, PRESSURE SWITCH P3 |
| 5 | 1 | C6005016 | GASKET, FLAT, 18.8mm OD X 10.3mm ID X 2mm THICK |
| 4 | 1 | C5009055 | SWITCH, PRESSURE, AUTO CLEANING SYSTEM, P3 |
| 3 | 6 | 105787 | FITTING, HOSE BARB, 90°, 1/4 H X 1/8 NPT(M) |
| 2 | 3 | 300352 | PUMP, OSCILLATING PISTON, 110-120VAC, 60Hz P3 |
| 1 | 1 | C2114823 | WELDMENT, PUMP HOUSING, 110V P3 |
| ITEM | QTY | PART NO. | DESCRIPTION |

ASSEMBLY, WATER HOSE SYSTEM, CONDENSER

ALL MODELS

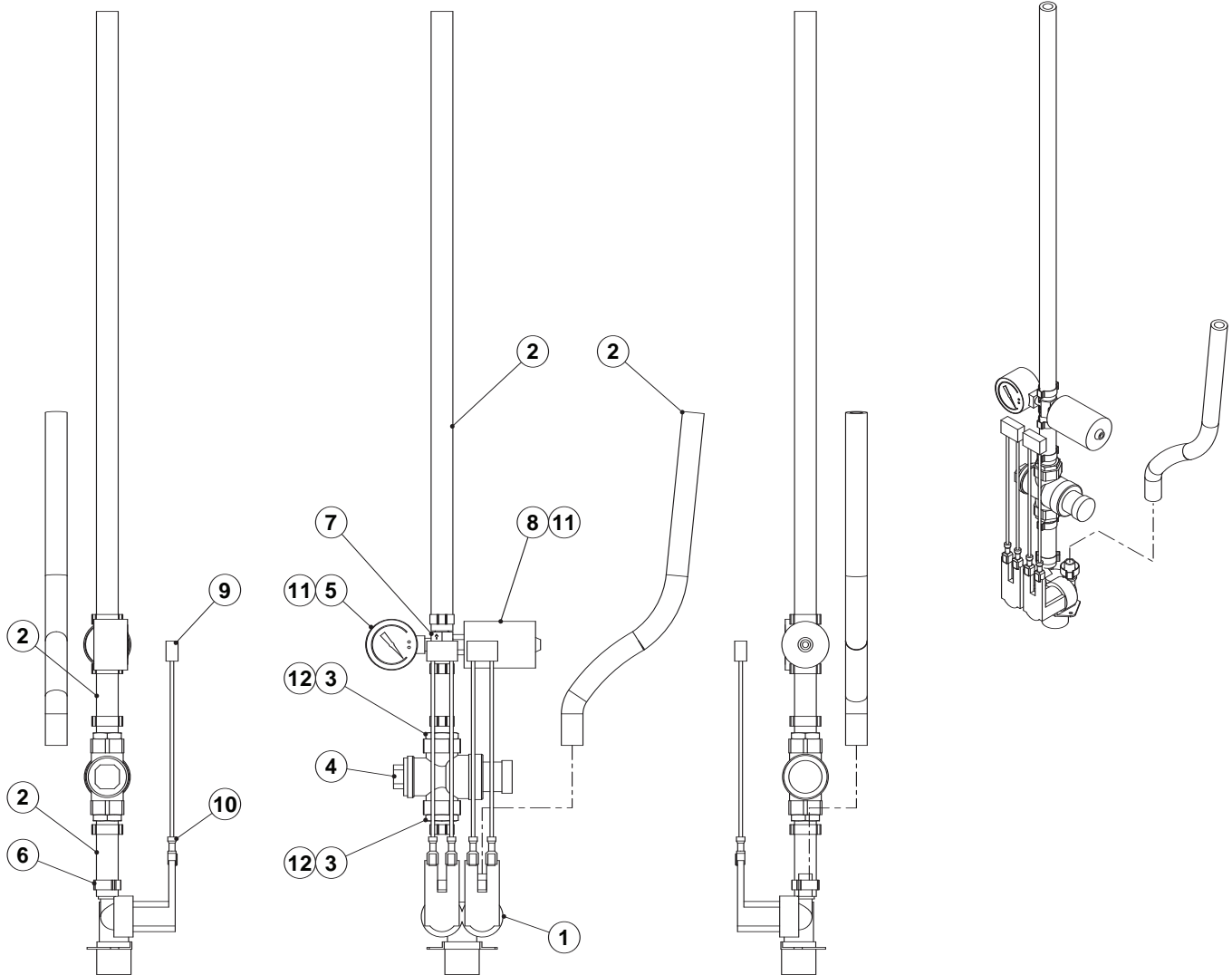
Connector Flange C5011003



| ITEM | QTY | PART NO. | DESCRIPTION |
|------|-----|-------------|--|
| 1 | 1 | C6015215 | ELBOW, HOSE CONNECTION, 3/8" WITH SEAL |
| 2 | 2 | 111647 | CLAMP, OETIKER, S/S, 19/32" |
| 3 | 1 | 11149811000 | HOSE, SILICONE, 3/8" ID X 11.000 |
| 4 | 1 | 300455 | VALVE ASSEMBLY, 1 WAY, 120 VAC |
| 5 | 1 | 300407 | FILTER, ELECTRICAL |
| 6 | 2 | 300509 | TERMINAL, 18-22 AWG PIGGY BACK |

ASSEMBLY, WATER VALVE, INJECTOR, GAS

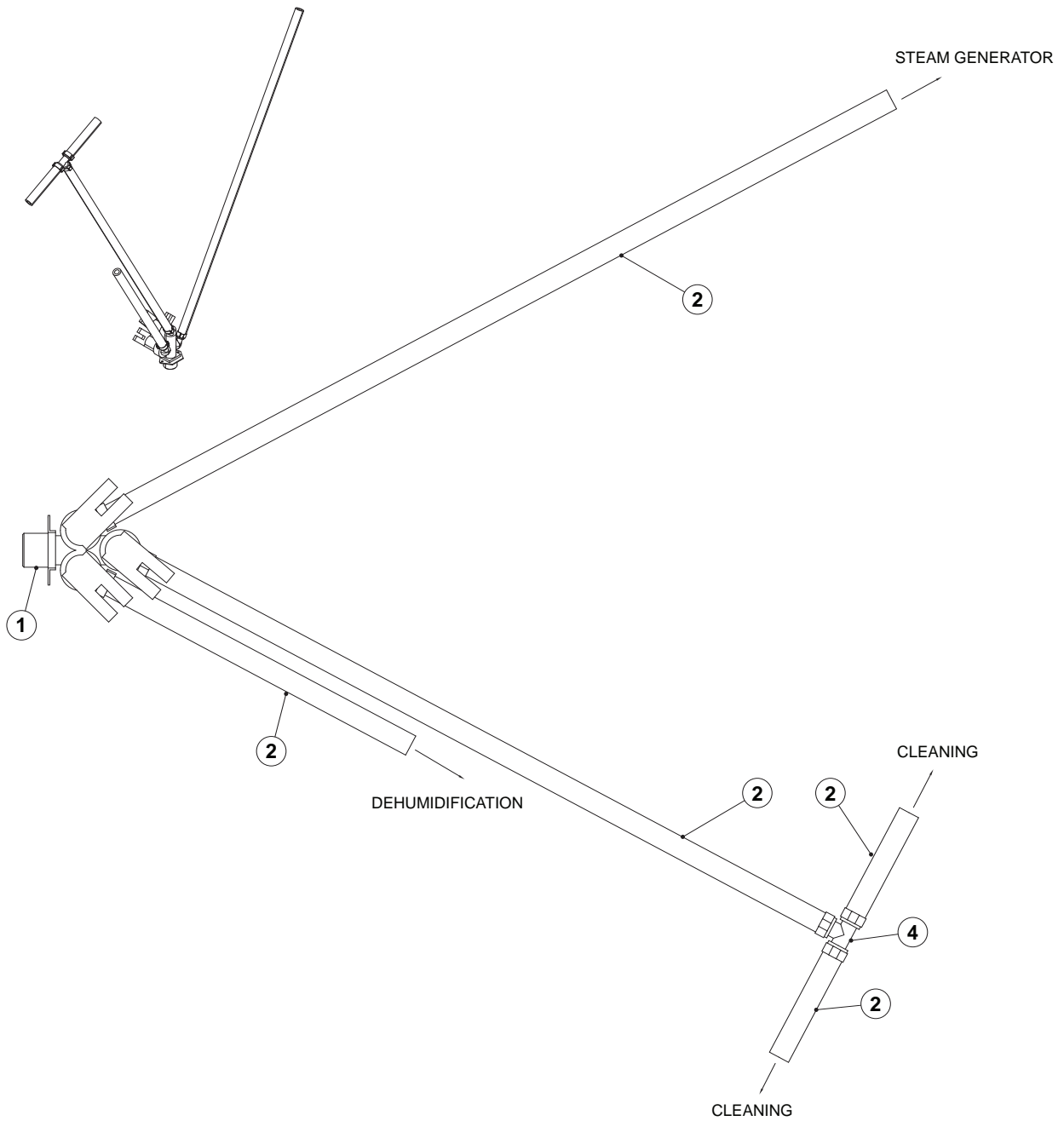
OGS 6.20 & 10.10 MODELS



| ITEM | QTY | PART NO. | DESCRIPTION |
|------|-----|----------|--|
| 1 | 1 | 300456 | VALVE ASSY. 2 WAY 120VAC |
| 2 | 4 | 111498 | HOSE, SILICONE, 3/8" ID (SPECIFY LENGTH) |
| 3 | 2 | C6015401 | BARB, 1/2 R X 3/8 HOSE |
| 4 | 1 | C5001085 | PRESSURE REGULATING VALVE OD GAS |
| 5 | 1 | C6006140 | GAUGE, 60 PSI BOTTOM MOUNT |
| 6 | 6 | 111647 | CLAMP, OETIKER, S/S, 19/32" |
| 7 | 1 | C6015232 | CONNECTION NOZZLE 0.6MM 6.20/10.10/10.20 |
| 8 | 1 | C5009063 | PUSH BUTTON SWITCH, INJ, (CHANGE-OVER CONTACT) |
| 9 | 2 | 300407 | FILTER, ELECTRICAL |
| 10 | 4 | 300509 | TERMINAL, 18-22 AWG PIGGY BACK |
| 11 | A/R | 00946 | TAPE, TEFLON, 1/2" |
| 12 | A/R | 111651 | SEALANT, LOCTITE, WHITE, DRI-SEAL 513 |

ASSEMBLY, WATER SUPPLY, GENERATOR W/CLEANING SYSTEM

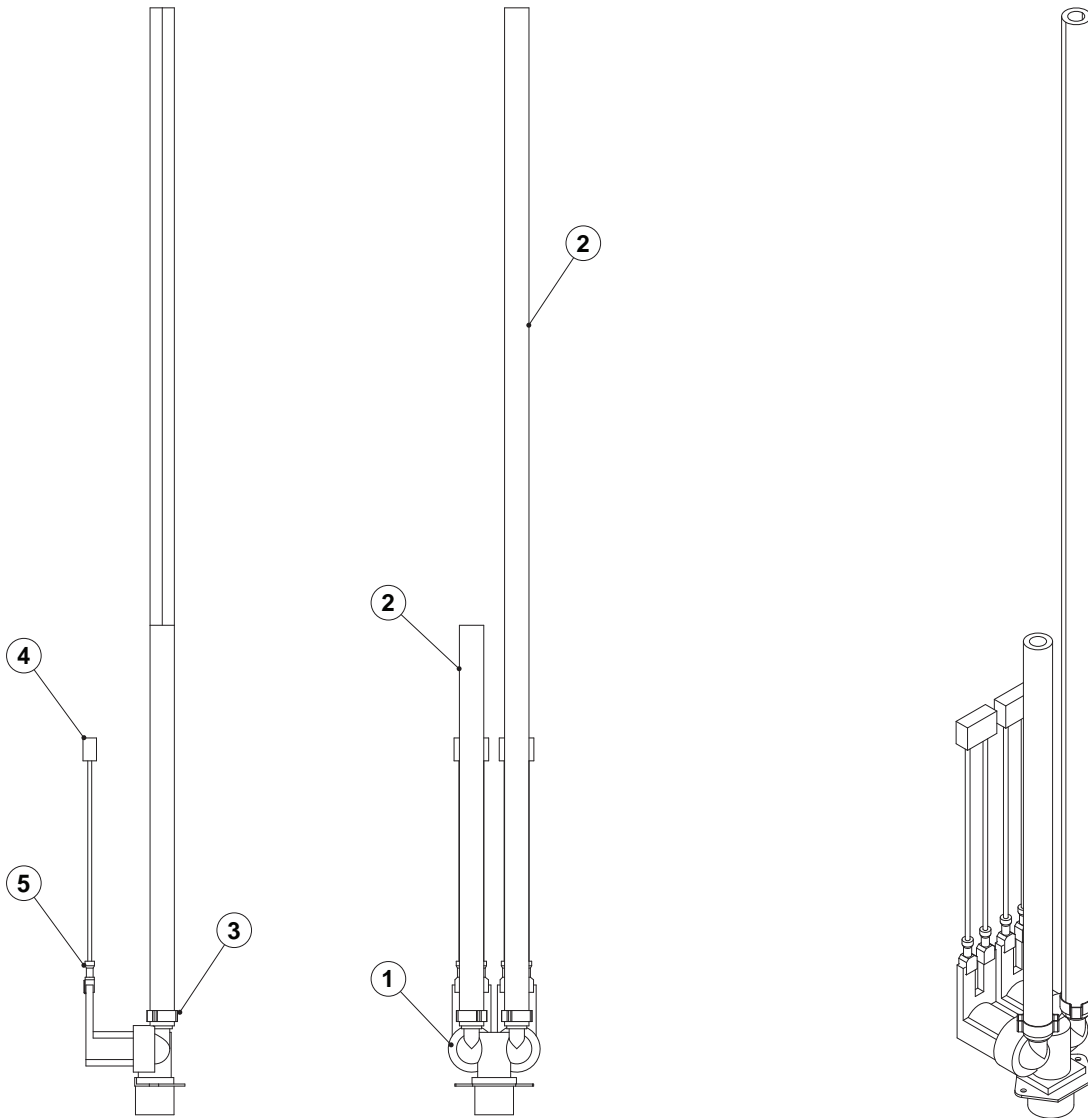
OEB & OGB 6.20 MODELS



| ITEM | QTY | PART NO. | DESCRIPTION |
|------|-----|----------|--|
| 1 | 1 | 300453 | VALVE ASSEMBLY, 3WAY 240VAC |
| | | 300363 | TRIPLE SOLENOID VALVE 110-120V 50/60 Hz 180° |
| 2 | 5 | 111498 | HOSE, SILICONE, 3/8" ID (SPECIFY LENGTH) |
| 3 | 6 | 111647 | CLAMP, OETIKER, S/S, 19/32" |
| 4 | 1 | 111646 | TEE, BRASS, 3/8" BRASS |

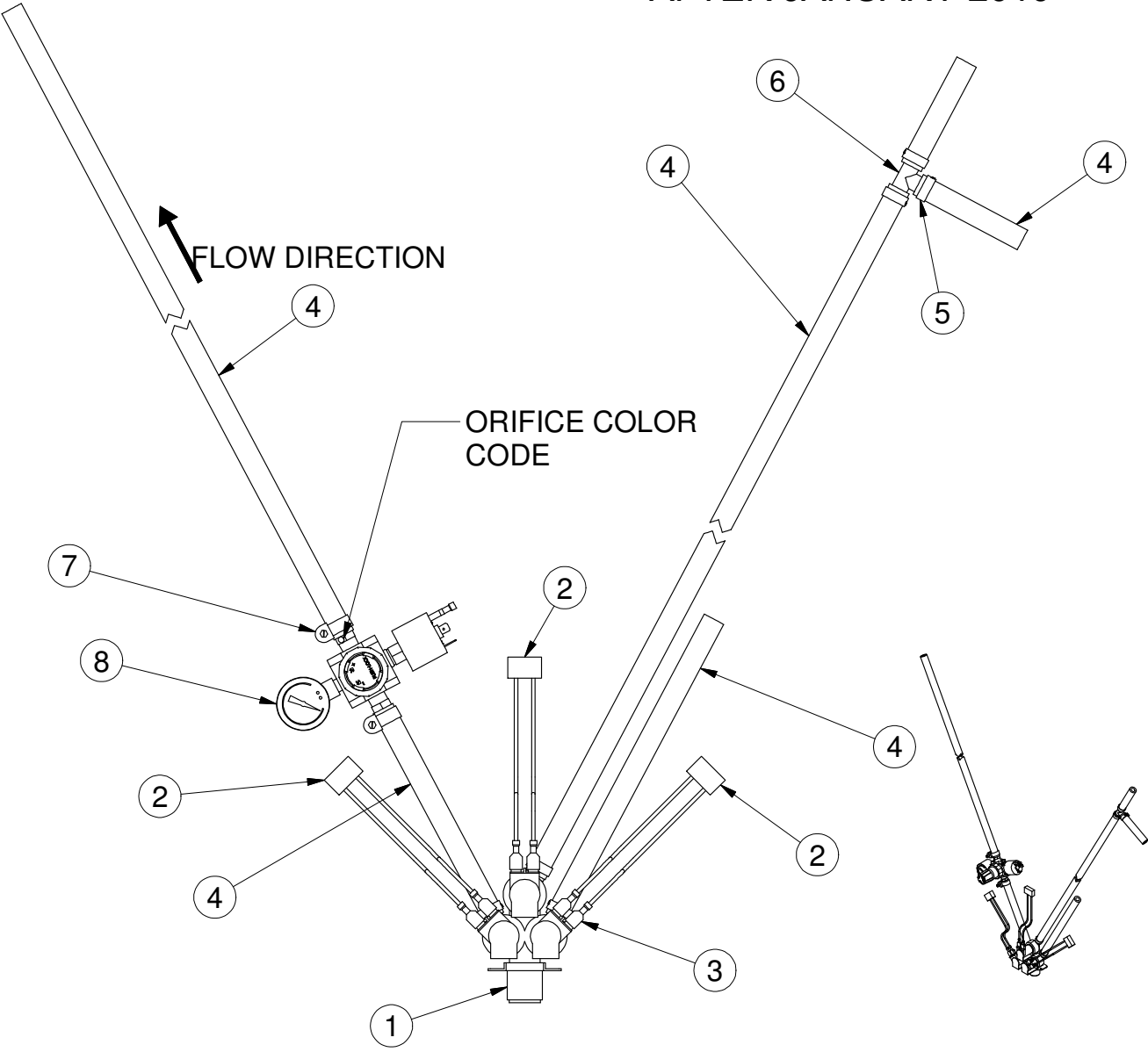
ASSEMBLY, WATER VALVE

ALL GAS 6.20 MODELS



| ITEM | QTY | PART NO. | DESCRIPTION |
|------|-----|----------|--|
| 1 | 1 | 300456 | VALVE ASSY. 2 WAY 120VAC |
| 2 | 2 | 111498 | HOSE, SILICONE, 3/8" ID (SPECIFY LENGTH) |
| 3 | 2 | 111647 | CLAMP, OETIKER, S/S, 19/32" |
| 4 | 2 | 300407 | FILTER, ELECTRICAL |
| 5 | 4 | 300509 | TERMINAL, 18-22 AWG PIGGY BACK |

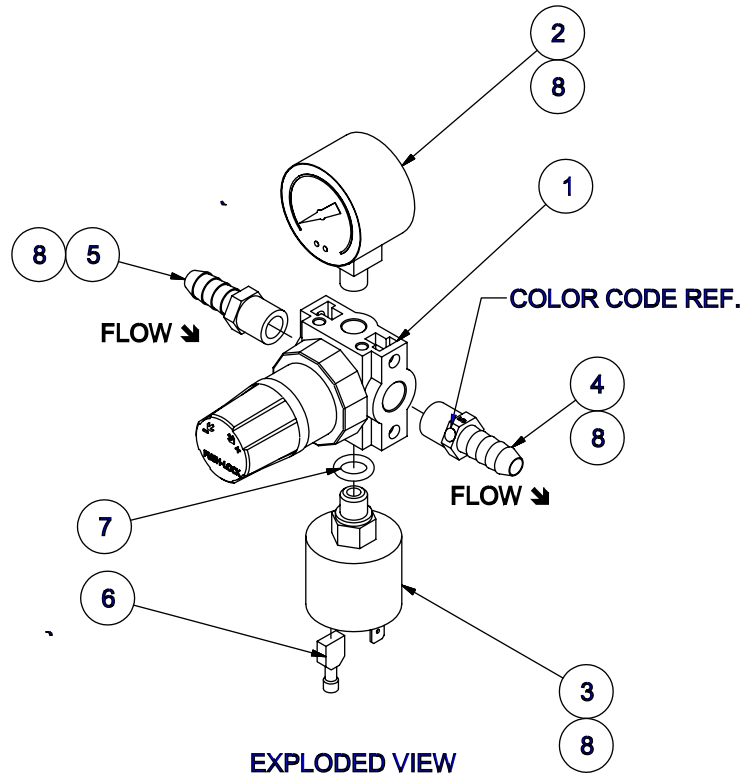
WATER VALVE ASSEMBLY OES & OGS MODELS AFTER JANUARY 2010



| ITEM | QTY | PART NO. | DESCRIPTION |
|------|-----|-------------|--|
| 1 | 1 | 300453 | VALVE, SOLENOID, 3 WAY, 240VAC |
| | | 300363 | VALVE, SOLENOID, 3 WAY, 120VAC |
| 2 | 3 | 300407 | FILTER, ELECTRICAL, RC NETWORK, 125 VAC, 200 VDC |
| 3 | 6 | 300509 | TERMINAL, SLIPON, INSUL., 18-22 AWG, PIGGYBACK |
| 4 | 7 | 111498 | HOSE, SILICONE, 0.375" ID X 0.655" OD |
| 5 | 6 | C6016070 | CLAMP, HOSE, 0.630" - 0.756", SST, OETIKER |
| 6 | 1 | 111646 | TEE, HOSE BARB, BRASS, 3/8"H X 3/8"H X 3/8"H |
| 7 | 2 | C6006086 | HOSE CLAMP, 1/2" 12-20 MM, 15 MM ADJUSTED |
| 8 | 1 | SEE DRAWING | REGULATOR ASSEMBLY, W / ORIFICE, COMBI |

REGULATOR ASSEMBLY

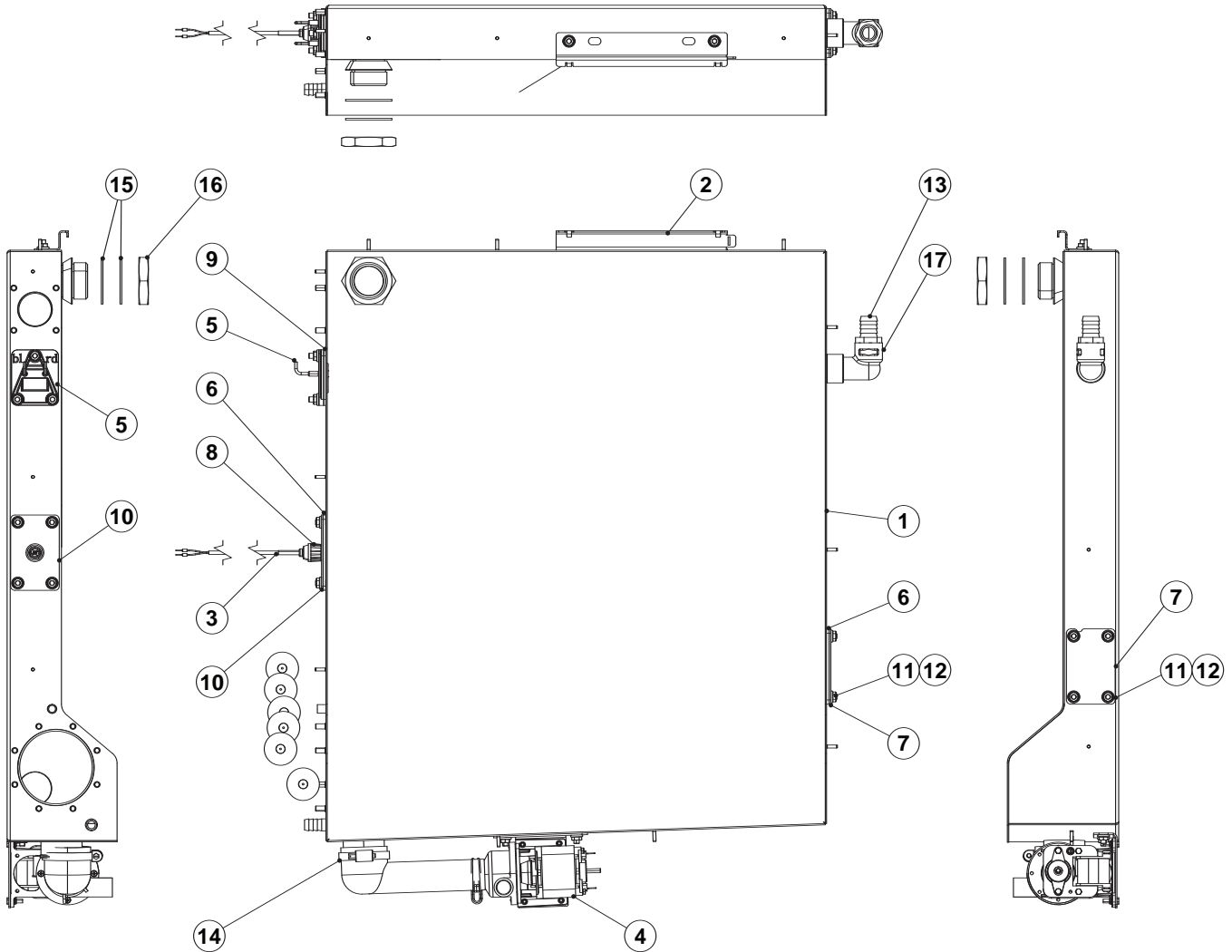
| ASSEMBLY PART NO. | ORIFICE FTG. PN. | ORIFICE SIZE | COLOR CODE | |
|-------------------|------------------|--------------|------------|------------------|
| FK1132281 | 1132301 | 0.5mm | RED | 3.10 |
| FK1132282 | 1132302 | 0.6mm | BLUE | 6.20/10.10/10.20 |
| FK1132283 | 1132303 | 0.7mm | YELLOW | 12.20 |
| FK1132284 | 1132304 | 1.0mm | GREEN | 20.20 |



| 8 | A/R | 111651 | SEALANT, LOCTITE, WHITE, HIGH TEMP, DRI-SEAL 513 |
|------|-----|-----------|--|
| 7 | 1 | 113236 | O-RING, 3/8"ID X 9/16"OD X 3/32"THK, BUNA-N |
| 6 | 1 | 20356 | SLIP-ON FULL INSULATED, FEMALE, 0.032 X 0,250 |
| 5 | 1 | 105277 | FTG, HOSE BARB, 3/8 H X 1/4 NPT, BR |
| 4 | 1 | SEE CHART | FTG, HOSE BARB, 3/8 H X 1/4 NPT, BR; W/ORIFICE |
| 3 | 1 | C5009063 | SWITCH, PRESSURE, INJECTOR SYSTEM |
| 2 | 1 | C6006140 | GAUGE, PRESSURE, 0-60 PSI (4 BAR) 1/8" BPP BOTTOM CONNECTION |
| 1 | 1 | 113229 | REGULATOR, 0-60PSIG, 1/4"NPT |
| ITEM | QTY | PART NO. | DESCRIPTION |

ASSEMBLY, STEAM GENERATOR, GAS

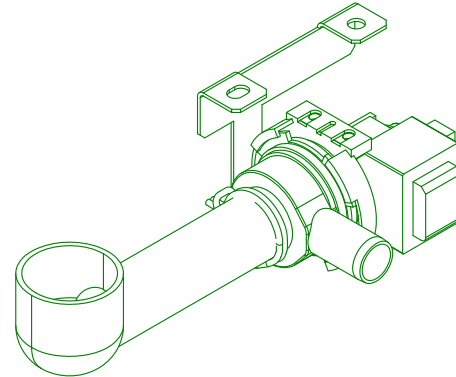
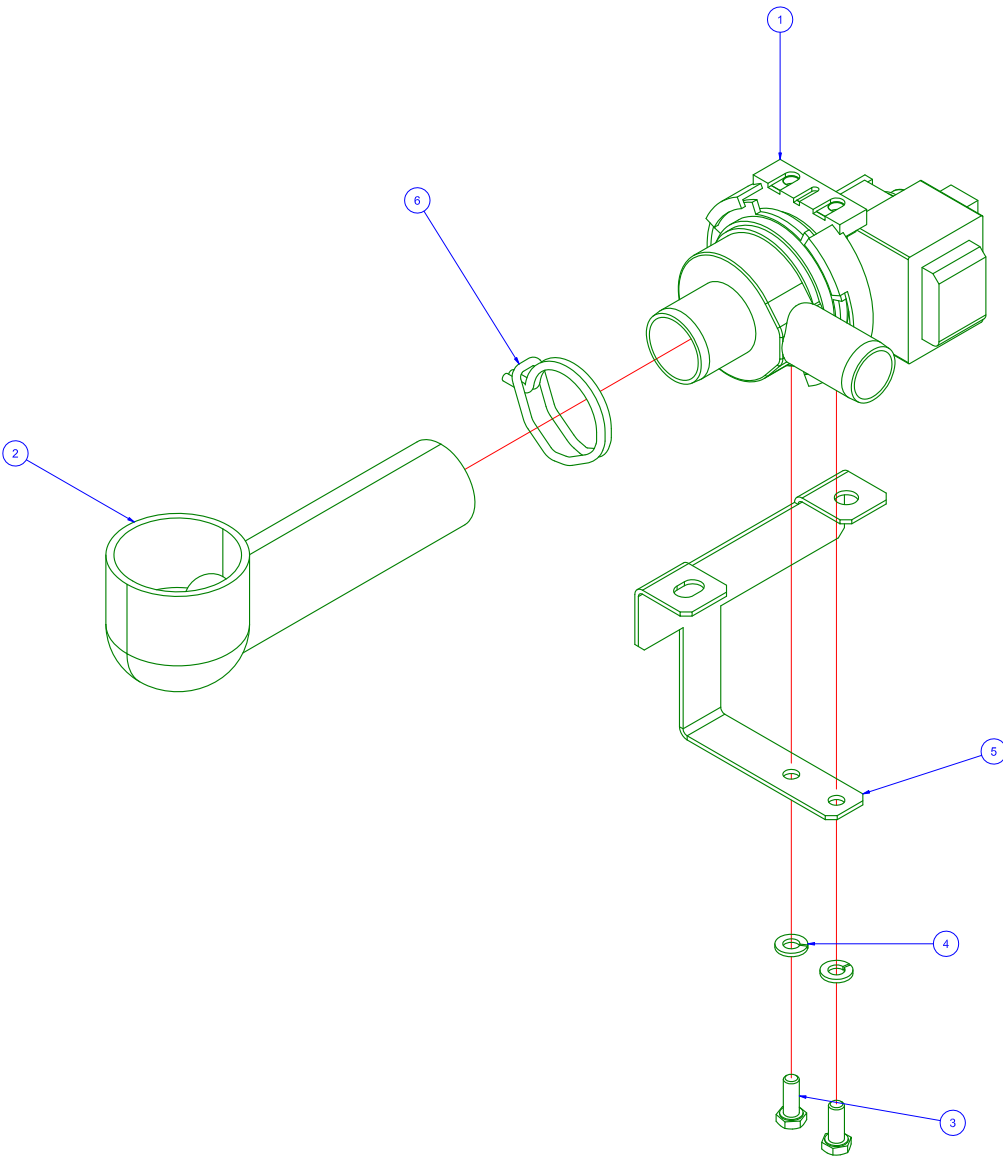
OGB 6.20 MODELS



| ITEM | QTY | PART NO. | DESCRIPTION |
|------|-----|---------------------|--|
| 1 | 1 | C2314891 | WELDMNT, GEN GAS 6.20 (NOT SHOWN) |
| 2 | 1 | C2314243 | SUPPORT, STEAM GEN, TABLE TOP UNIT |
| 3 | 1 | C5016006 | THERMOCOUPLE, SENSOR, OSC/OSP, 64.960" (1650MM) |
| 4 | 1 | C2314991 | PUMP, 110V, GAS STEAM GENERATOR |
| 5 | 1 | C5019003 | ASSEMBLY, DOUBLE LEVEL PROBE |
| 6 | 2 | C6015023 | FLAT GASKET FOR IMMERSION HEATER |
| 7 | 1 | C2314968 | INSPECTION FLANGE, STEAM GENERATOR |
| 8 | 1 | C6005260 | SEAL, THERMOCOUPLE SENSOR, OSC/OSP |
| 9 | 1 | C6015040 | FLAT GASKET FOR DOUBLE-LEVEL PROBE |
| 10 | 1 | C2314974 | FLANGE, INSPECTION, STEAM GENERATOR |
| 11 | 15 | C8017011 | NUT, FLANGE, HEX |
| 12 | A/R | C7014000 | COPPER PASTE |
| 13 | 1 | 06240 | FTG, HOSE BARB, 3/4 X 3/4 MPT |
| 14 | 1 | C6006089 | HOSE CLAMP, 40-60 MM |
| 15 | 2 | C6005025 | FLAT GASKET, 1.673 x 2.126 x 0.079 in. |
| 16 | 1 | C6006092 | HEXAGON NUT R 1 1/4" |
| 17 | 1 | 05231 | ELBOW, STREET 90 X 3/4 NPT, BRASS |
| 18 | 11 | 101953 | CLIP, INSULATION RETAINER, 1-1/2, .105 HOLE, GALV. |

If pump is not white order S113231
 If pump is white see next page.

Complete assembly S113231

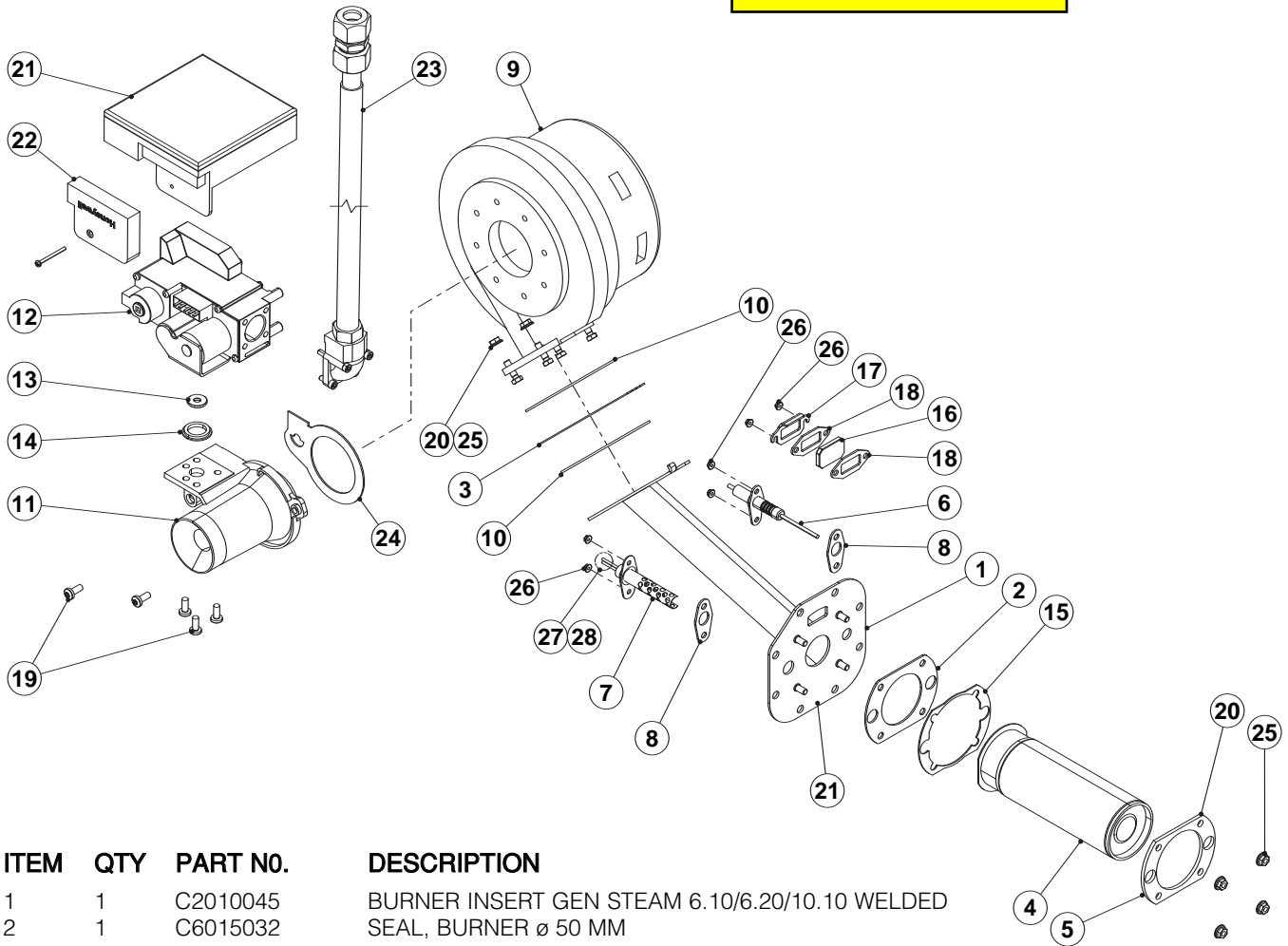


| | | |
|---|----------|------------------|
| 1 | 300753 | Drain Pump 120 v |
| 2 | C6015101 | Drain Elbow |
| 3 | C8003043 | Hex Bolt M6x16 |
| 4 | 23105 | Lock Washer |
| 5 | 113269 | Pump Bracket |
| 6 | 107481 | Hose Clamp |

ASSEMBLY, BURNER INSERT, STEAM GENERATOR, NAT GAS

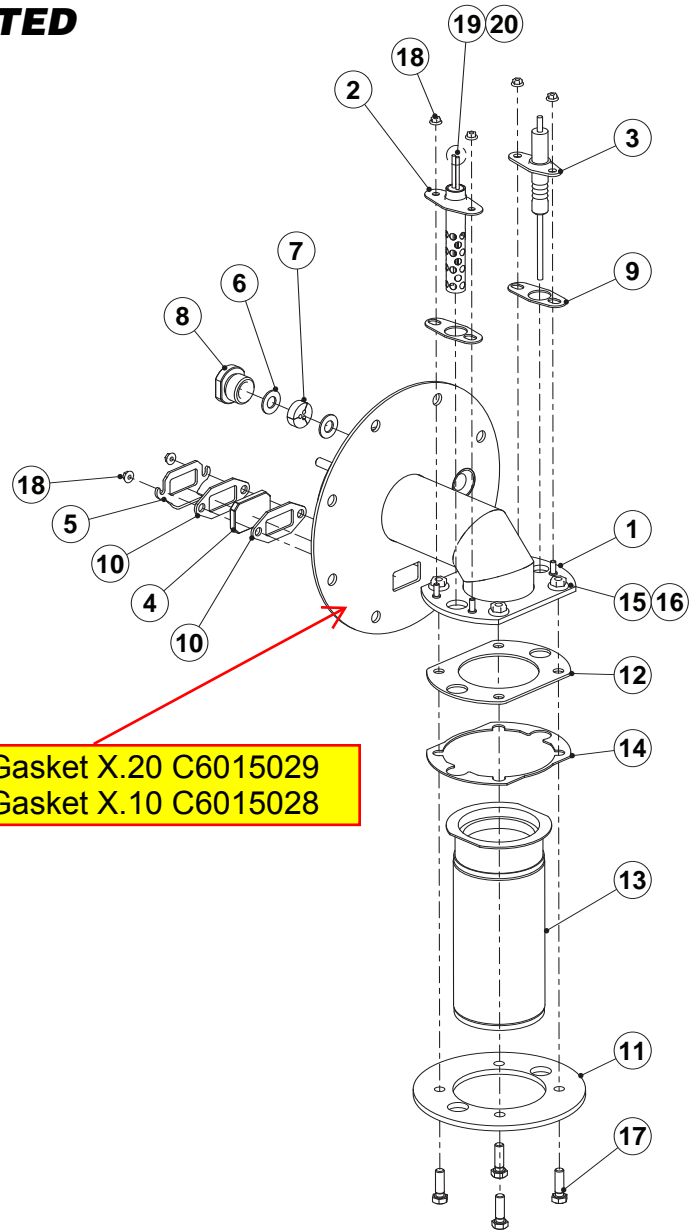
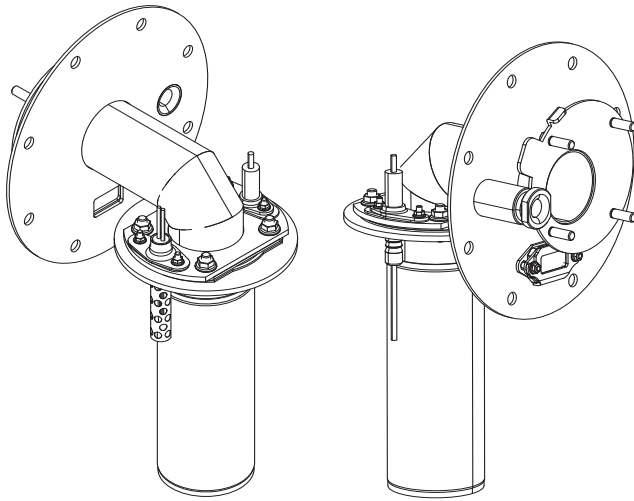
OGB 6.20 & 10.10 MODELS

Burner Intake Hose C7012100



| ITEM | QTY | PART NO. | DESCRIPTION |
|------|-----|----------|--|
| 1 | 1 | C2010045 | BURNER INSERT GEN STEAM 6.10/6.20/10.10 WELDED |
| 2 | 1 | C6015032 | SEAL, BURNER \varnothing 50 MM |
| 3 | 1 | C2615351 | RESTRICTION FLANGE \varnothing 210 RG128 |
| 4 | 1 | C2010014 | BURNER, \varnothing 50 x150, 20 KW |
| 5 | 1 | C2614907 | CLAMPING FLANGE, STEAM GENERATOR, BURNER, \varnothing 50 |
| 6 | 1 | C4018000 | MONITORING ELECTRODE |
| 7 | 1 | C4018002 | AUTO-IGNITION ELECTRODE |
| 8 | 2 | C6015037 | SEAL, ELECTRODE |
| 9 | 1 | C5018006 | BURNER BLOWER, RG128, 110V |
| 10 | 2 | C6015034 | SEAL, FAN RG128/148 |
| 11 | 1 | C6016000 | VENTURI 40 KW |
| 12 | 1 | C6016009 | GAS VALVE, HONEYWELL, 110V |
| 13 | 1 | C6017009 | ORIFICE, \varnothing 05.65 NAT GAS |
| 14 | 1 | C6016030 | SEALING RING, GAS SCREEN |
| 15 | 1 | C2615367 | FLANGE, BURNER |
| 16 | 1 | C5015004 | INSPECTION GLASS, BURNER |
| 17 | 1 | C2614845 | COVER, INSPECTION GLASS, BURNER |
| 18 | 2 | C6015039 | SEAL, INSPECTION GLASS, BURNER |
| 19 | 5 | C8012001 | SCREW, M5x12, FILLISTER HD, TORX |
| 20 | A/R | C7014000 | COPPER PASTE |
| 21 | 1 | C6016023 | AUTOMATIC FIRING DEVICE, 110V, AUTO-IGNITION |
| 22 | 1 | C6016025 | COVER, AUTOMATIC FIRING DEVICE |
| 23 | 1 | C2616516 | GAS HOSE, 580 LG, PREASSEMBLED |
| 24 | 1 | 111595 | GASKET, CORK, BURNER VENTURI, COMBI |
| 25 | 8 | C8017010 | FLANGE NUT |
| 26 | 6 | C8017008 | NUT, LOCKING, SERRATED |
| 27 | 1 | 300484 | TERM, PUSHON, .110, 22-16AWG SEMI INSUL. |
| 28 | 1 | 20351 | TERM, SLIPON FULL INSUL .032X.25 TAB 22-18AWG |

BURNER INSERT, HL, PRE-MOUNTED
ALL GAS MODELS

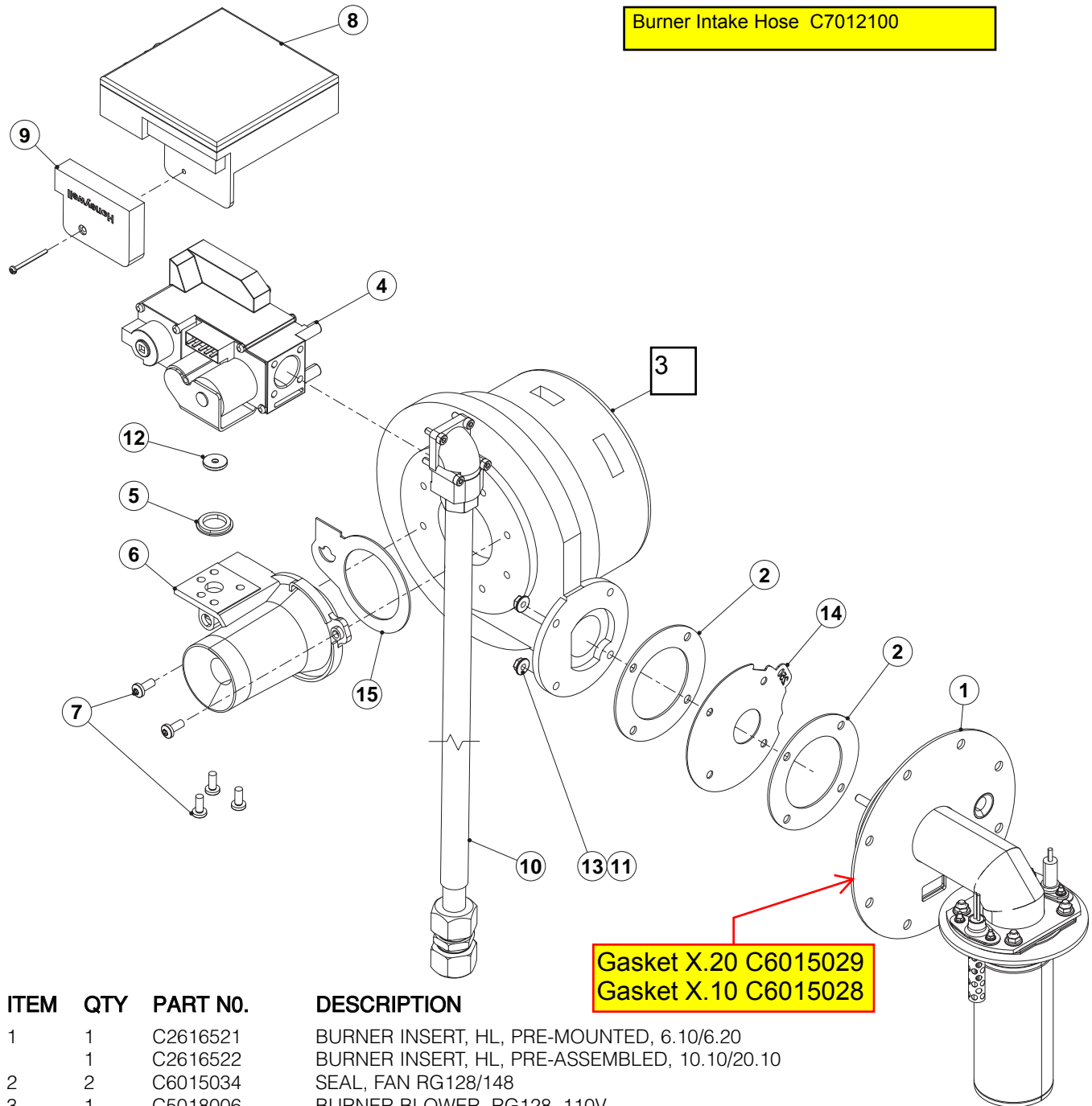


Gasket X.20 C6015029
Gasket X.10 C6015028

| ITEM | QTY | PART NO. | DESCRIPTION |
|------|-----|----------|--|
| 1 | 1 | C2010050 | BURNER INSERT HL, 6.10/6.20, WELDMENT |
| | 1 | C2010052 | BURNER INSERT, HL, 10.10/20.10, WELDMENT |
| 2 | 1 | C4018002 | AUTO-IGNITION ELECTRODE |
| 3 | 1 | C4018000 | MONITORING ELECTRODE |
| 4 | 1 | C5015004 | INSPECTION GLASS, BURNER |
| 5 | 1 | C2614845 | COVER, INSPECTION GLASS, BURNER |
| 6 | 2 | C6015240 | WASHER, CABLE BUSHING, BURNER INSERT |
| 7 | 1 | C6015041 | SEAL, CABLE BUSHING BURNER INSERT |
| 8 | 1 | C6015238 | SCREW CONNECTION, CABLE BUSHING, BURNER INSERT |
| 9 | 2 | C2614849 | LINING PLATE, ELECTRODE, GAS |
| 11 | 1 | C2614842 | CLAMPING FLANGE, BURNER, HL, Ø 50 |
| 10 | 2 | C6015039 | SEAL, INSPECTION GLASS, BURNER |
| 12 | 1 | C6015032 | SEAL, BURNER Ø 50 MM |
| 13 | 1 | C2010014 | BURNER, Ø 50 x150, 20 KW |
| 14 | 1 | C2615367 | FLANGE, BURNER |
| 15 | A/R | C7014000 | COPPER PASTE |
| 16 | 4 | C8017010 | FLANGE NUT |
| 17 | 4 | C8003095 | HEXAGON BOLT, M5x16, HUD 20.20 |
| 18 | 6 | C8017008 | NUT, LOCKING, SERRATED |
| 19 | 1 | 300484 | TERM, PUSHON, .110, 22-16AWG SEMI INSUL. (NOT SHOWN) |
| 20 | 1 | 20351 | TERM, SLIPON FULL INSUL. .032X.25 TAB 22-18AWG (NOT SHOWN) |

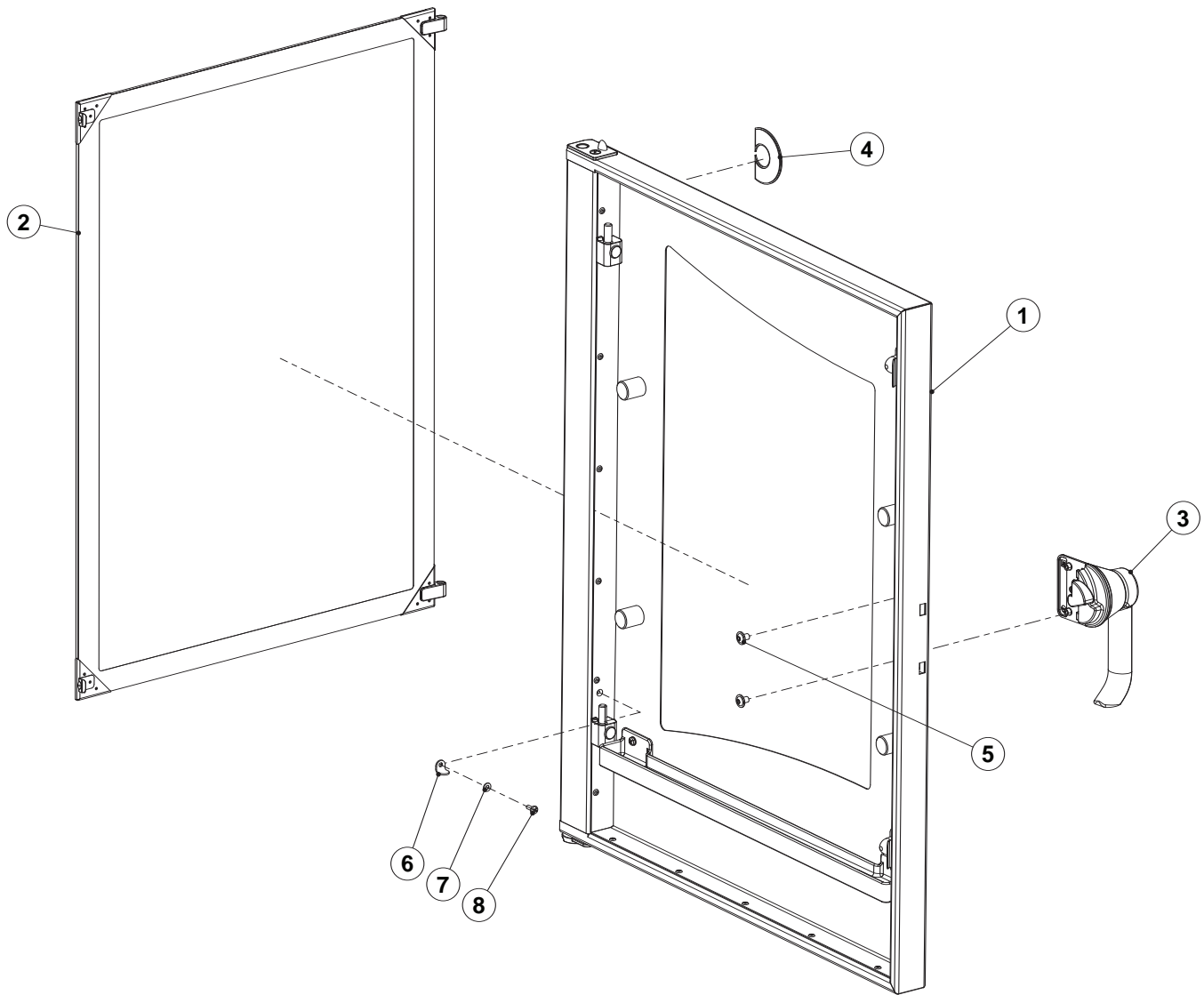
ASSEMBLY, BURNER INSERT, AIR, LP & NAT GAS

ALL GAS MODELS



| ITEM | QTY | PART NO. | DESCRIPTION |
|------|-----|----------|---|
| 1 | 1 | C2616521 | BURNER INSERT, HL, PRE-MOUNTED, 6.10/6.20 |
| | 1 | C2616522 | BURNER INSERT, HL, PRE-ASSEMBLED, 10.10/20.10 |
| 2 | 2 | C6015034 | SEAL, FAN RG128/148 |
| 3 | 1 | C5018006 | BURNER BLOWER, RG128, 110V |
| 4 | 1 | C6016009 | GAS VALVE, HONEYWELL, 110V |
| 5 | 1 | C6016030 | SEALING RING, GAS SCREEN |
| 6 | 1 | C6016000 | VENTURI 40 KW |
| 7 | 5 | C8012001 | SCREW, M5x12, FILLISTER HD, TORX |
| 8 | 1 | C6016023 | AUTOMATIC FIRING DEVICE, 110V, AUTO-IGNITION |
| 9 | 1 | C6016025 | COVER, AUTOMATIC FIRING DEVICE |
| 10 | 1 | C2616516 | GAS HOSE, 580mm LG, PREASSEMBLED, 6.20 |
| | 1 | C2616517 | GAS HOSE, 780mm LG, PREASSEMBLED, 10.10/20.10 |
| 11 | A/R | C7014000 | COPPER PASTE |
| 12 | 1 | 112555 | ORIFICE \varnothing 400, LP GAS |
| | 1 | C6017009 | ORIFICE, \varnothing 0565 NAT GAS |
| 13 | 4 | C8017010 | FLANGE NUT |
| 14 | 1 | C2615355 | FLANGE, RESTRICTION \varnothing 250 |
| 15 | 1 | 111595 | GASKET, CORK, BURNER VENTURI, COMBI |

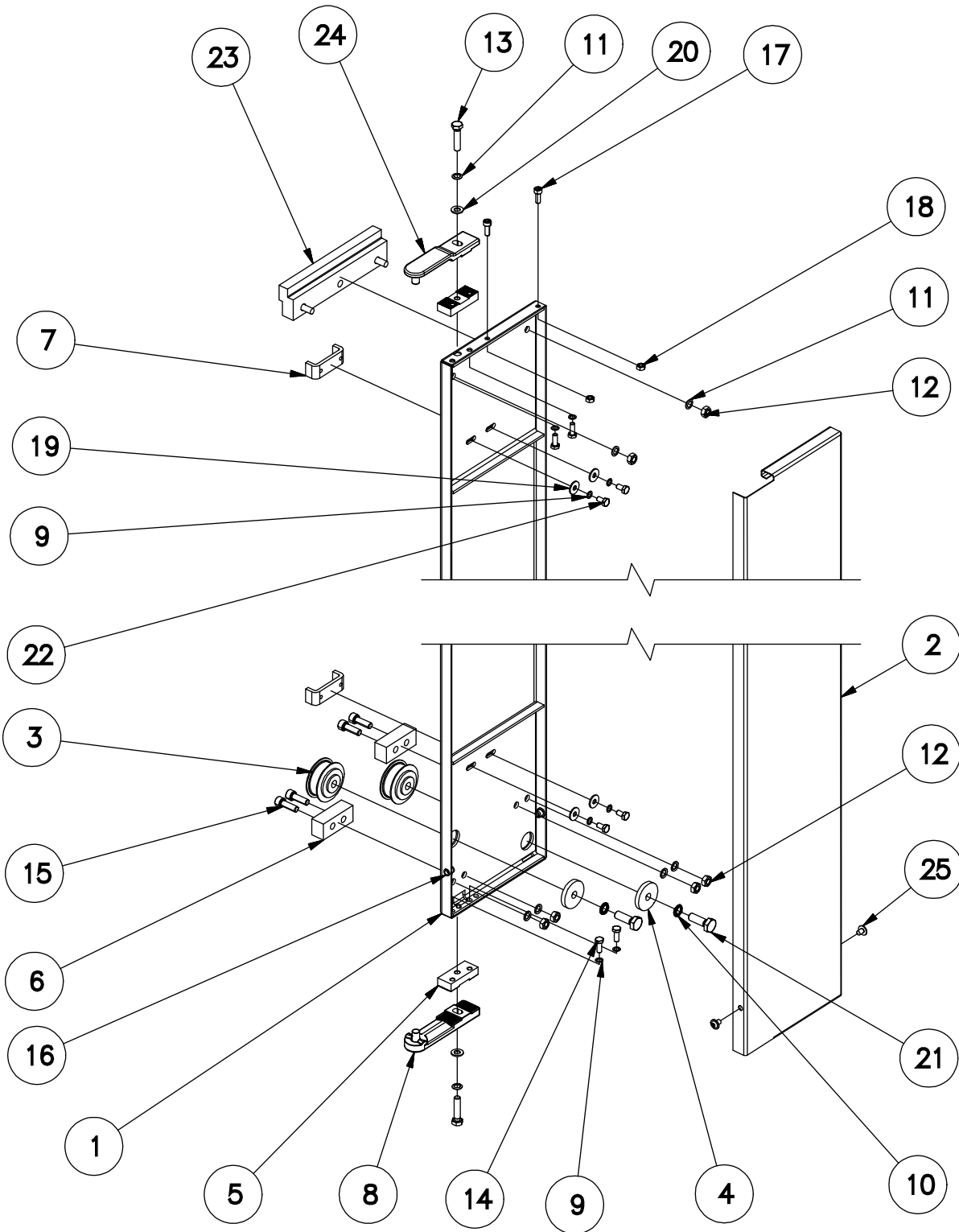
DOOR 6.20 COMPLETE
OES 6.20 & 10.10 MODELS



Spring clip C6015248

| ITEM | QTY | PART NO. | DESCRIPTION |
|------|-----|----------|------------------------------------|
| 1 | 1 | C2514358 | ASSEMBLY, OUTER DOOR, 6.20 |
| | 1 | C2514359 | ASSEMBLY, OUTER DOOR, 10.10 |
| 2 | 1 | C2514389 | ASSEMBLY, INNER DOOR, 6.20 |
| | 1 | C2514390 | ASSEMBLY, INNER DOOR, 10.10 |
| 3 | 1 | C6012000 | DOOR HANDLE, LOCKING |
| 4 | 1 | C6009016 | PLASTIC LETTER "C" RED |
| 5 | 2 | C8015000 | MLF SCREW M6X8 |
| 6 | 1 | C2514430 | UNHINGING SAFEGUARD, DOOR |
| 7 | 1 | C8001024 | SCREW, FILISTER HD, M4x10 DIN 7985 |
| 8 | 1 | C8005021 | WASHER, 4.3, DIN 125 |
| 9 | A/R | C7004012 | LOCTITE 243 (NOT SHOWN) |
| 10 | A/R | C7003087 | GREASE FRONT DOORS OD |

SLIDING PLATE ASSEMBLY



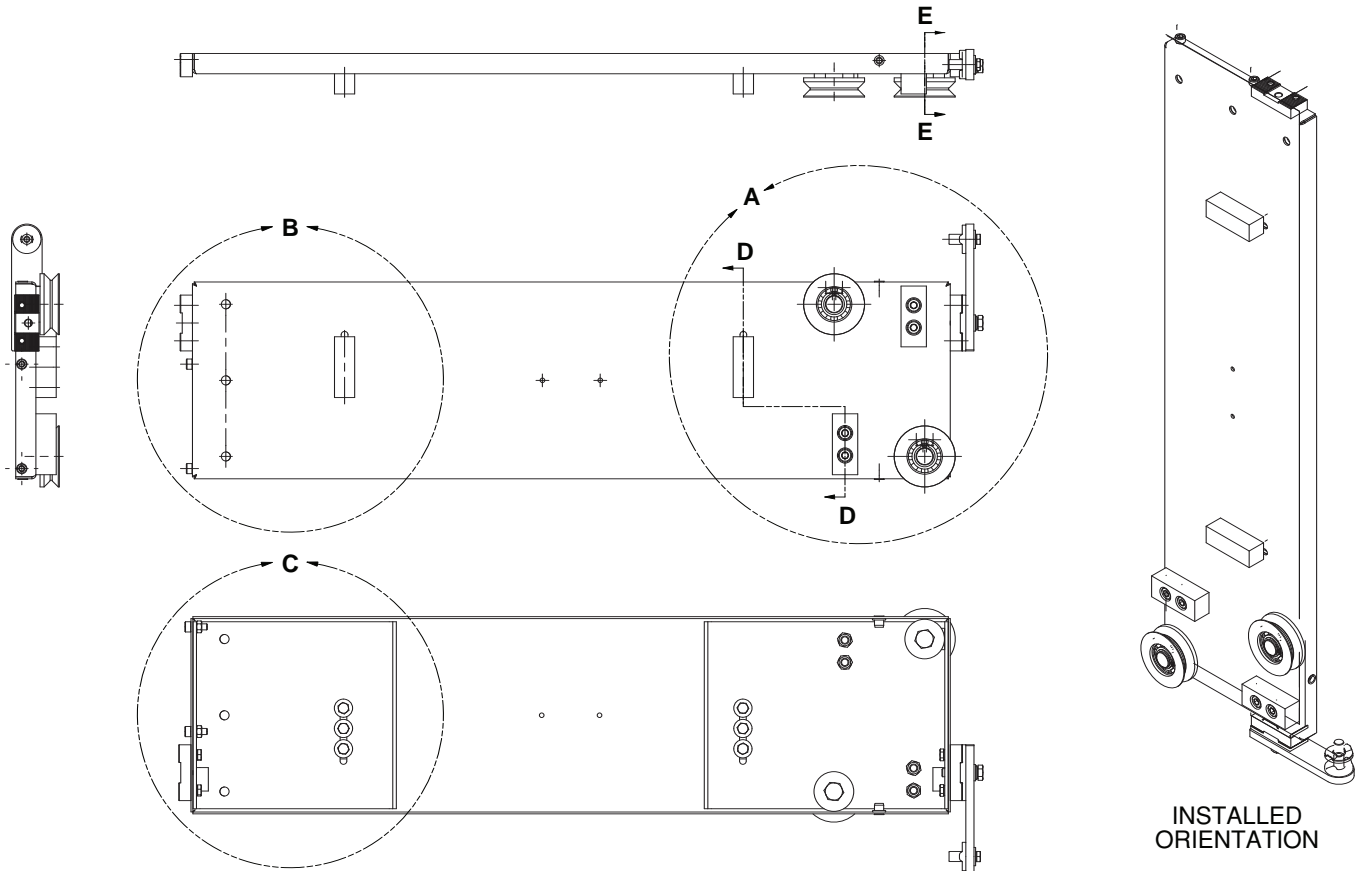
SLIDING PLATE ASSEMBLY

| ITEM | QTY | PART NO. | DESCRIPTION |
|------|-----|----------|---|
| 1 | 1 | 113069 | SLIDING PLATE WELDMENT, 6.10 |
| | | 113070 | SLIDING PLATE WELDMENT, 10.10/10.20 |
| | | 113071 | SLIDING PLATE WELDMENT, 6.20 |
| | | 113072 | SLIDING PLATE WELDMENT, 12.20 |
| | | 113073 | SLIDING PLATE WELDMENT, 20.10/20.20 |
| 2 | 1 | C2114815 | COVER PANEL, 6.10 |
| | | C2114816 | COVER PANEL, 6.20 |
| | | C2114817 | COVER PANEL, 10.10/10.20 |
| | | C2114818 | COVER PANEL, 12.20 |
| | | C2114819 | COVER PANEL, 20.10/20.20 |
| 3 | 2 | C6012017 | ROLLER, ASSEMBLY, DOOR GUIDE |
| 4 | 2 | C6012005 | DISC Ø39 x 6 RST P3 |
| 5 | 2 | C2014008 | LOCKING BLOCK, CARRIAGE PLATE, P3 |
| 6 | 2 | C6015226 | LOCKING BLOCK RST |
| 7 | 2 | C6012006 | DOOR STOP, RST P3 |
| 8 | 1 | C2013012 | HINGE, DOOR, BOTTOM, CAST |
| 9 | 8 | C8006057 | SCHNORR LOCK WASHER S6 A2 P3 |
| 10 | 2 | C8006063 | WASHER, BELLEVILLE, M10, SERRATED BOTH SIDES, SST |
| 11 | 8 | C8006060 | SCHNORR LOCK WASHER, S8, A2, P3 |
| 12 | 6 | C8004057 | NUT, HEX, M8 A4 |
| 13 | 2 | C8003058 | HEXAGON BOLT, M8 X 35, A2 P2/P3 |
| 14 | 4 | C8003043 | HEXAGON BOLT M6x16 A2 P2/P3 |
| 15 | 4 | C8013002 | FILLISTER HEAD SCREW DIN 912 - M8X25 A2 |
| 16 | 2 | C8008095 | BLIND RIVET NUT M6 ROUND A2 P3 |
| 17 | 2 | C8001073 | HEXAGON SOCKET SCREW M6x16 A2 P2/P3 |
| 18 | 2 | C8004040 | HEXAGON NUT M6 A4 P2/P3 |
| 19 | 4 | C8005041 | WASHER 6.4 A2 DIN 9021 P2 P3 |
| 20 | 2 | C8005050 | WASHER, 8.4 A2 DIN 125 P3 |
| 21 | 2 | C8003066 | BOLT, HEX HD, M10x30, A2 |
| 22 | 4 | C8013011 | HEXAGON BOLT M6x12 A2 P2/P3 |
| 23 | 1 | C6012008 | SUPPORT STRIP VST P3 |
| 24 | 1 | C2013013 | HINGE, DOOR, TOP, CAST |
| 25 | 2 | C8015000 | MLF SCREW M6X8 A2 P3 |

SLIDING PLATE, COMPLETE

ALL 6.20 & 10.10 MODELS

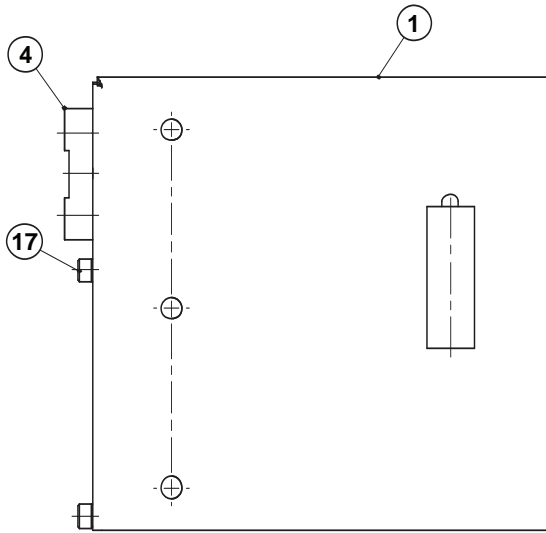
Upper Hinge C2013006



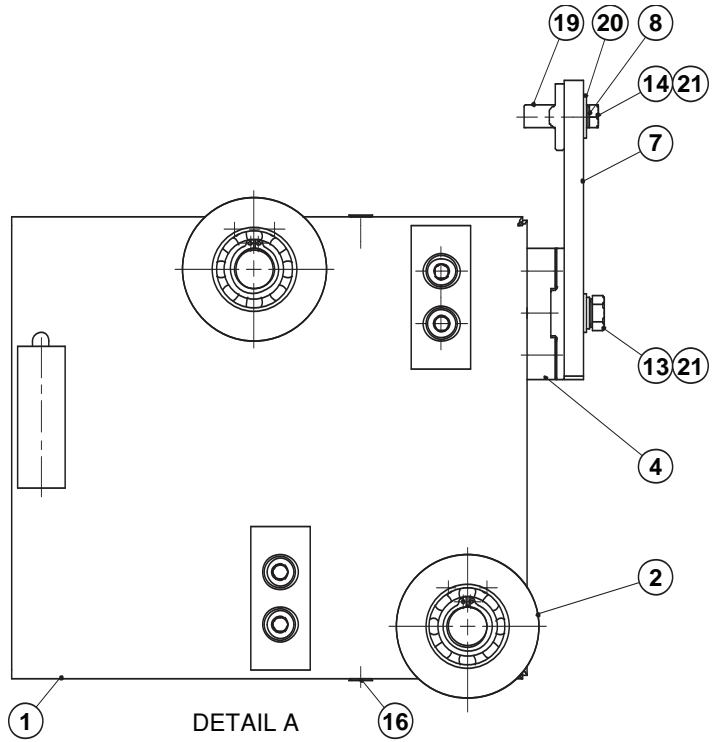
| ITEM | QTY | PART NO. | DESCRIPTION |
|------|-----|----------|---|
| 1 | 1 | C2614806 | CARRIAGE PLATE, WELDED, 6.20 |
| | | C2614807 | CARRIAGE PLATE, WELDED, 10.10 & 10.20 |
| | | C2614809 | CARRIAGE PLATE, WELDED, 20.10 & 20.20 |
| 2 | 2 | C6012002 | ASSEMBLED, GUIDE ROLLER RST CPL |
| 3 | 2 | C6012005 | DISC \varnothing 39 x 6 RST |
| 4 | 2 | C2014008 | LOCKING BLOCK, CARRIAGE PLATE |
| 5 | 2 | C6015226 | LOCKING BLOCK RST |
| 6 | 2 | C6012006 | DOOR STOP, RST |
| 7 | 1 | C2013004 | HINGE, LOWER, WELDMENT, DOOR |
| 8 | 11 | C8006057 | SCHNORR LOCK WASHER |
| 9 | 2 | C8006063 | SCHNORR-LOCK WASHER |
| 10 | 5 | C8006060 | SCHNORR LOCK WASHER |
| 11 | 4 | C8004057 | NUT, HEX |
| 12 | 1 | C8005050 | WASHER, 8.4 A2 DIN 125 |
| 13 | 1 | C8003058 | HEXAGON BOLT, M8 X 35 |
| 14 | 11 | C8003043 | HEXAGON BOLT M6x16 |
| 15 | 4 | C8013002 | FILLISTER HEAD SCREW DIN 912 - M8X25 |
| 16 | 2 | C8008095 | BLIND RIVET NUT M6 ROUND |
| 17 | 2 | C8001073 | HEXAGON SOCKET SCREW M6x16 |
| 18 | 2 | C8004040 | HEXAGON NUT |
| 19 | 1 | C2014004 | LOCKING PLATE, CARRIAGE, LOWER PART |
| 20 | 7 | C8005041 | WASHER 6.4 A2 DIN 9021 |
| 21 | A/R | C7004014 | LOCTITE 638 |
| 22 | 2 | C8003066 | BOLT, HEX HD, M10x30, 6.20, 10.10 & 10.20 |
| | | C8013000 | BOLT, HEX HD, M10x25, 20.10 & 20.20 |

SLIDING PLATE, COMPLETE

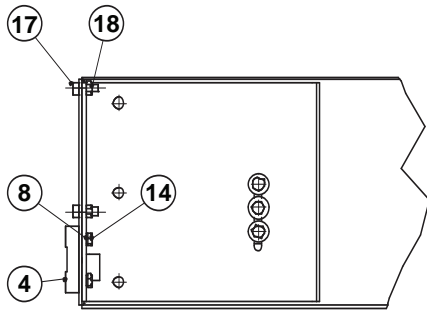
ALL 6.20 & 10.10 MODELS



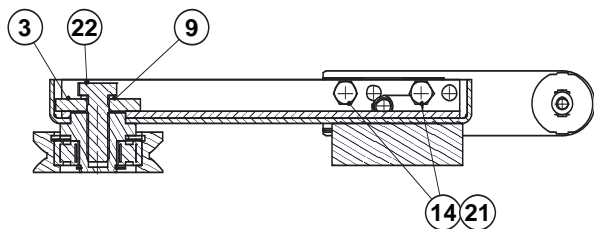
DETAIL B



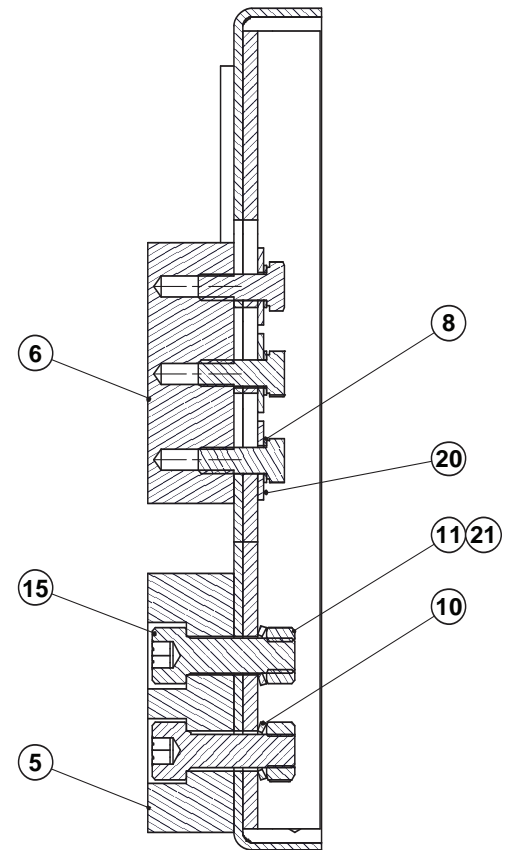
DETAIL A



DETAIL C



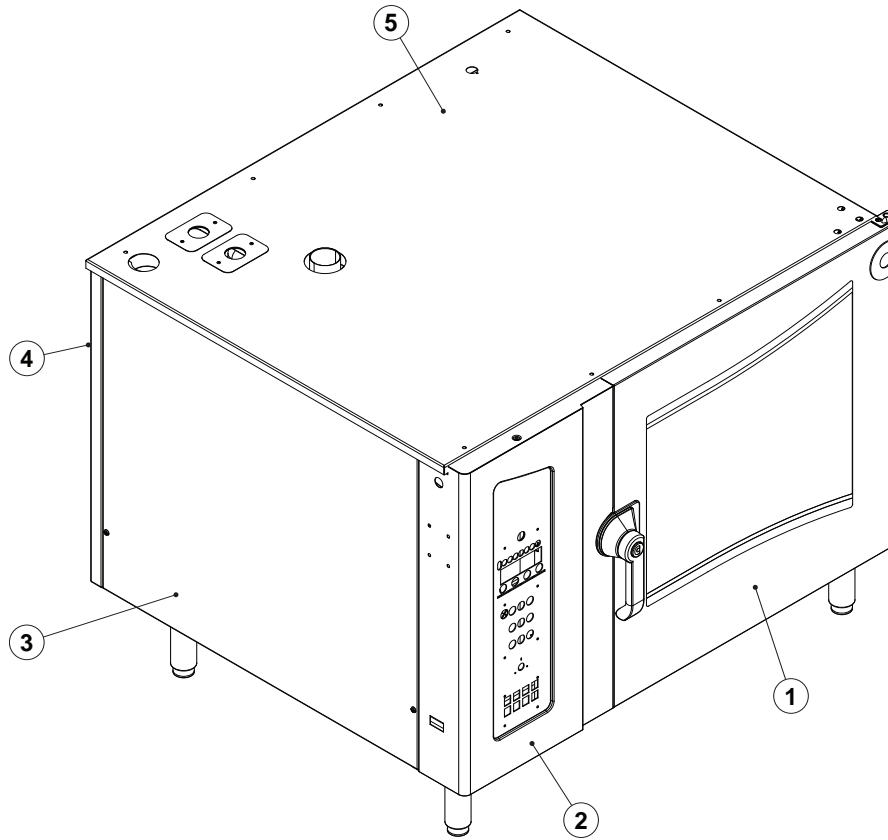
SECTION E-E



SECTION D-D

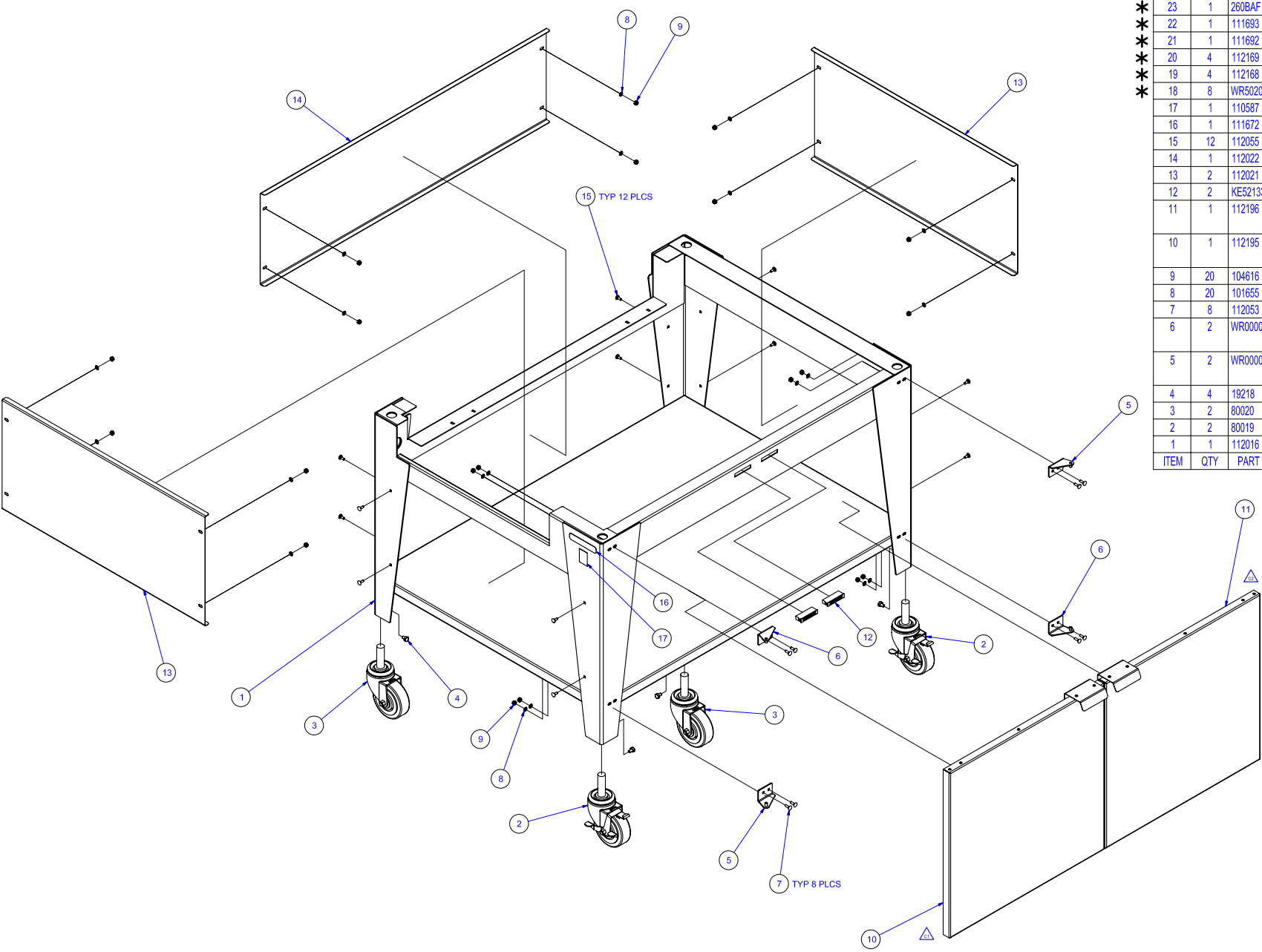
EXTERIOR SHEETING

ALL 6.20 & 10.10 MODELS

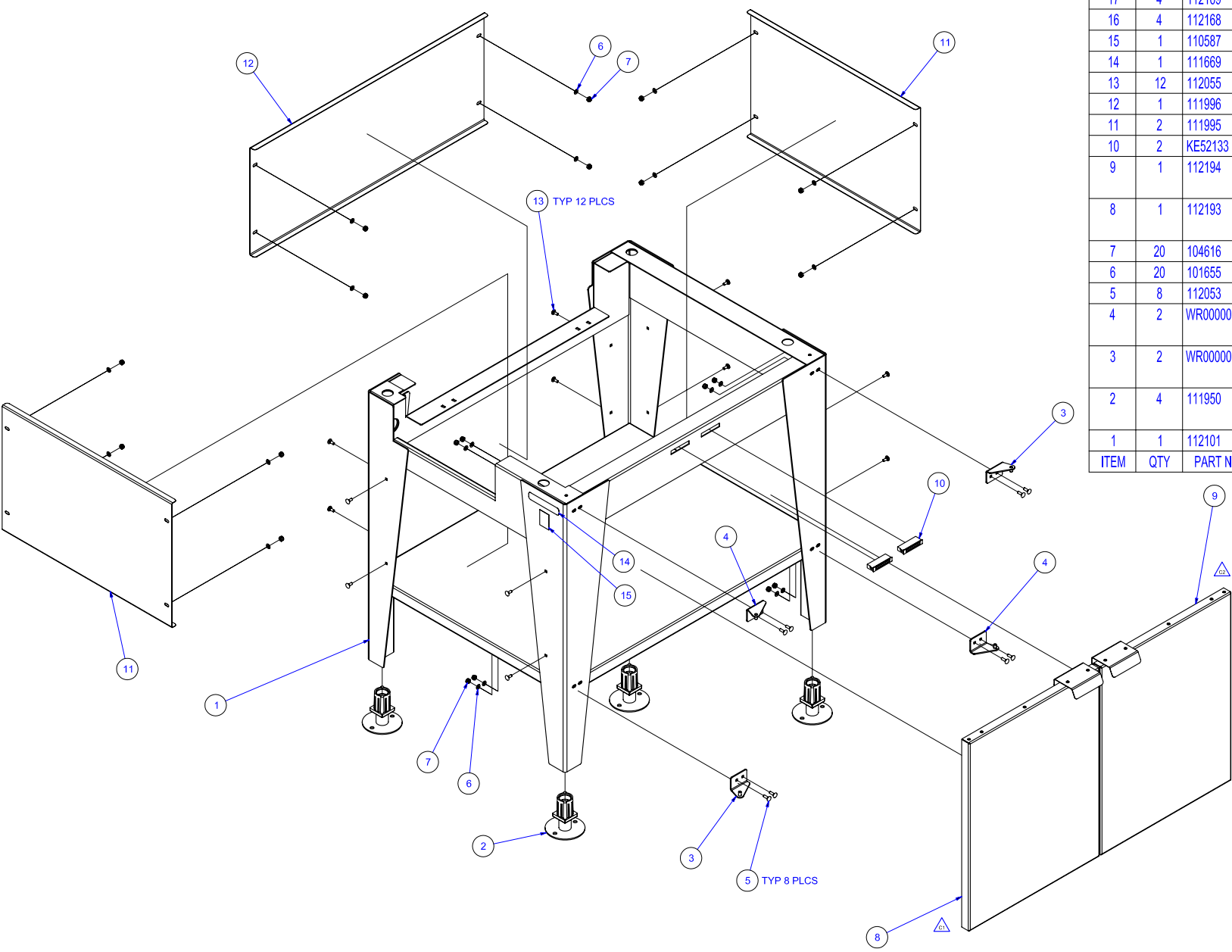


| ITEM | QTY | PART NO. | DESCRIPTION |
|------|-----|----------|--|
| 1 | 1 | C2514351 | DOOR, 6.20, COMPLETE |
| - | 1 | C2514352 | DOOR, 10.10, COMPLETE |
| 2 | 1 | C2114652 | WELDMENT, CORNER, FRONT LEFT, 6.20 |
| - | 1 | C2114653 | WELDMENT, CORNER, FRONT LEFT, 10.10 |
| 3 | 1 | C2114782 | PANEL ASSY, LEFT, OGB 6.20, OGS 6.20, OEB 6.20, OES 6.20 |
| - | 1 | C2114783 | PANEL ASSY, LEFT, OGB 10.10, OGS 10.10, OEB 10.10, OES 10.10 |
| 4 | 1 | C2114762 | PANEL ASSY, REAR, OGB 6.20 |
| - | 1 | C2114742 | PANEL ASSY, REAR, OGS 6.20, OEB 6.20, OES 6.20 |
| - | 1 | C2114763 | PANEL ASSY, REAR, OGB 10.10 |
| - | 1 | C2114743 | PANEL ASSY, REAR, OGS 10.10, OEB 10.10, OES 10.10 |
| 5 | 1 | C2115462 | PANEL, TOP, OGB 6.20 |
| - | 1 | C2115452 | PANEL, TOP, OGS 6.20 |
| - | 1 | C2114702 | PANEL, TOP, OEB 6.20 |
| - | 1 | 111628 | PANEL, TOP, OES 6.20 |
| - | 1 | C2115463 | PANEL, TOP, OGB 10.10 |
| - | 1 | C2115453 | PANEL, TOP, OGS 10.10 |
| - | 1 | C2114700 | PANEL, TOP, OEB 10.10 |
| - | 1 | 111638 | PANEL, TOP, OES 10.10 |

WR50204 Shims

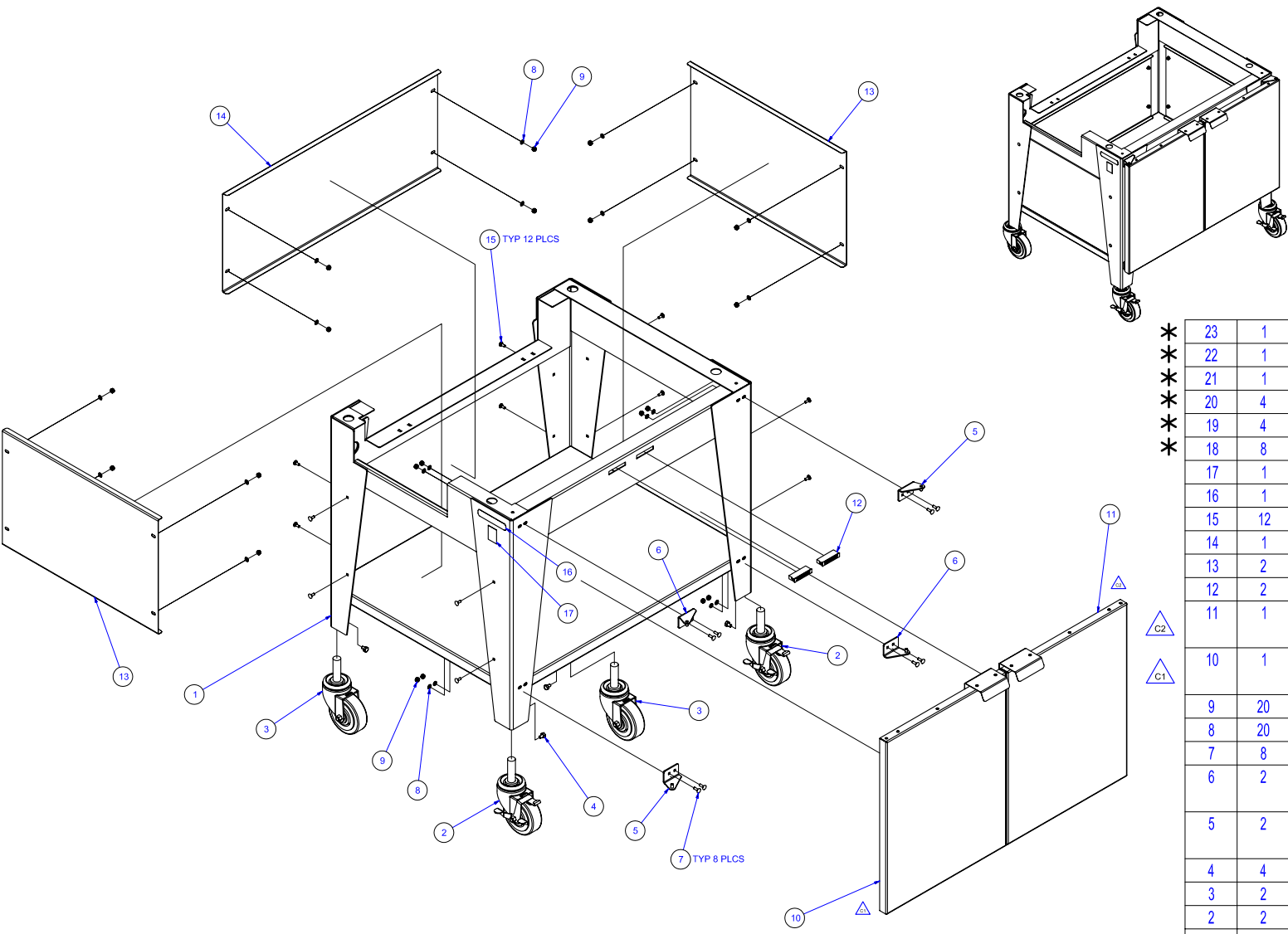


| | | | | |
|---|------|-----|----------|---|
| * | 23 | 1 | 260BAF | INSTRUCTION, INSTALLATION, COMBI STAND |
| * | 22 | 1 | 111693 | CLIP, WIRE ROPE, 0.250 DIA., HOT DIPPED GALVANIZED |
| * | 21 | 1 | 111692 | KIT, RESTRAINING DEVICE, COMBI STAND |
| * | 20 | 4 | 112169 | SCREW, 3/4-10 X 1, HEX HEAD, ZINC PLATED |
| * | 19 | 4 | 112168 | WASHER, LOCK, SPLIT, 3/4, ZINC PLATED |
| * | 18 | 8 | WR50204 | SHIM, CASTER, "C" SHAPED (FOR 3/4 STEM) |
| | 17 | 1 | 110587 | LABEL, SANITATION, UL CLASS, NSF #2 |
| | 16 | 1 | 111672 | LABEL, COMBI STAND, MODEL NO. CST-20-CBCA (6.20, 10.20) |
| | 15 | 12 | 112055 | SCREW, CARRIAGE, 10-24x1/2, SST (RND HEAD, SQ NECK) |
| | 14 | 1 | 112022 | PANEL, REAR, CLOSED COMBI STAND, X.20 |
| | 13 | 2 | 112021 | PANEL, SIDE, CLOSED COMBI STAND, X.20 |
| | 12 | 2 | KE52133 | CATCH, MAGNETIC, SNAP-IN, SOUTHCO #02-10-201-10 |
| | 11 | 1 | 112196 | ASSEMBLY, DOOR, DOUBLE PANEL, RIGHT HAND, COMBI STAND, X.20 |
| | 10 | 1 | 112195 | ASSEMBLY, DOOR, DOUBLE PANEL, LEFT HAND, COMBI STAND, X.20 |
| | 9 | 20 | 104616 | NUT, HEX, LOCK, 10-24, SST, NYLON INSERT |
| | 8 | 20 | 101655 | WASHER, FLAT, #10, SST |
| | 7 | 8 | 112053 | SCREW, CARRIAGE, 10-24x5/8, SST (RND HEAD, SQ NECK) |
| | 6 | 2 | WR000001 | WELDMENT, HINGE BRACKET, LOWER RIGHT AND UPPER LEFT |
| | 5 | 2 | WR00000 | WELDMENT, HINGE BRACKET, LOWER LEFT AND UPPER RIGHT |
| | 4 | 4 | 19218 | SCREW, 1/4-20 X 3/8, HEX HEAD, SST |
| | 3 | 2 | 80020 | CASTER, SWIVEL, 4", WITHOUT BRAKE |
| | 2 | 2 | 80019 | CASTER, SWIVEL, 4", WITH BRAKE |
| | 1 | 1 | 112016 | WELDMENT, CLOSED COMBI CASTER STAND, X.20 |
| | ITEM | QTY | PART NO. | DESCRIPTION |



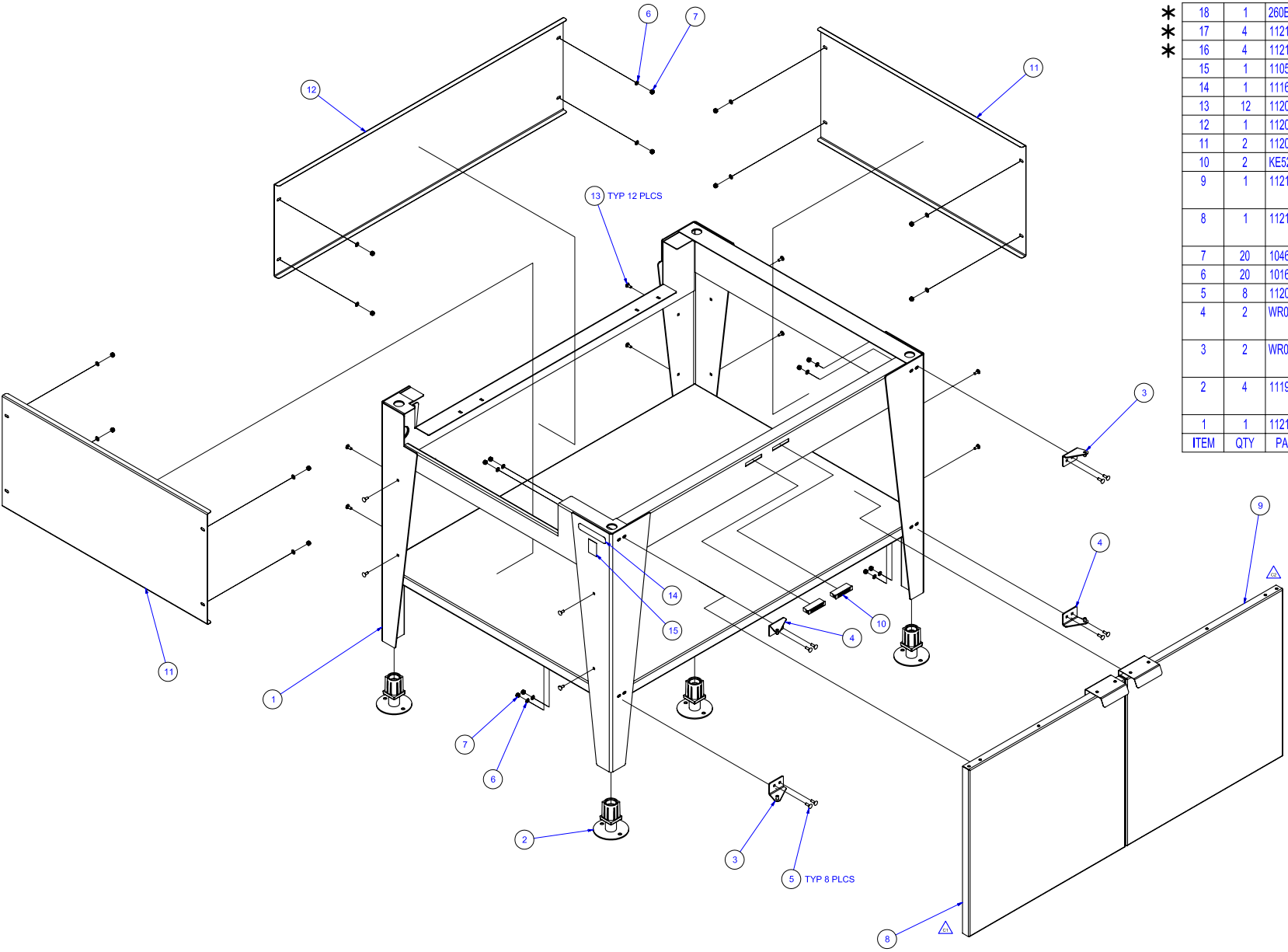
| ITEM | QTY | PART NO. | DESCRIPTION |
|------|-----|----------|--|
| 18 | 1 | 260BAF | INSTRUCTION, INSTALLATION, COMBI STAND |
| 17 | 4 | 112169 | SCREW, 3/4-10 X 1, HEX HEAD, ZINC PLATED |
| 16 | 4 | 112168 | WASHER, LOCK, SPLIT, 3/4, ZINC PLATED |
| 15 | 1 | 110587 | LABEL, SANITATION, UL CLASS, NSF #2 |
| 14 | 1 | 111669 | LABEL, COMBI STAND, MODEL NO, CST-10-CB (6.10, 10.10) |
| 13 | 12 | 112055 | SCREW, CARRIAGE, 10-24x1/2, SST (RND HEAD, SQ NECK) |
| 12 | 1 | 111996 | PANEL, REAR, CLOSED COMBI STAND, X.10 |
| 11 | 2 | 111995 | PANEL, SIDE, CLOSED COMBI STAND, X.10 |
| 10 | 2 | KE52133 | CATCH, MAGNETIC, SNAP-IN, SOUTHCO #02-10-201-10 |
| 9 | 1 | 112194 | ASSEMBLY, DOOR, DOUBLE PANEL, RIGHT HAND, COMBI STAND, X.10 |
| 8 | 1 | 112193 | ASSEMBLY, DOOR, DOUBLE PANEL, LEFT HAND, COMBI STAND, X.10 |
| 7 | 20 | 104616 | NUT, HEX, LOCK, 10-24, SST, NYLON INSERT |
| 6 | 20 | 101655 | WASHER, FLAT, #10, SST |
| 5 | 8 | 112053 | SCREW, CARRIAGE, 10-24x5/8, SST (RND HEAD, SQ NECK) |
| 4 | 2 | WR000001 | WELDMENT, HINGE BRACKET, LOWER RIGHT AND UPPER LEFT |
| 3 | 2 | WR000000 | WELDMENT, HINGE BRACKET, LOWER LEFT AND UPPER RIGHT |
| 2 | 4 | 111950 | FOOT, ADJUSTABLE, FOR 1-1/2" SQUARE TUBING (16 GA OR 18 GA WALL), WITH 3-1/2" SST FLANGE W/HOLES |
| 1 | 1 | 112101 | WELDMENT, CLOSED COMBI FOOT STAND, X.10 |
| ITEM | QTY | PART NO. | DESCRIPTION |

WR50204 Shims



| | | | | |
|------|-----|----------|-------------|---|
| * | 23 | 1 | 260BAF | INSTRUCTION, INSTALLATION, COMBI STAND |
| * | 22 | 1 | 111693 | CLIP, WIRE ROPE, 0.250 DIA., HOT DIPPED GALVANIZED |
| * | 21 | 1 | 111692 | KIT, RESTRAINING DEVICE, COMBI STAND |
| * | 20 | 4 | 112169 | SCREW, 3/4-10 X 1, HEX HEAD, ZINC PLATED |
| * | 19 | 4 | 112168 | WASHER, LOCK, SPLIT, 3/4, ZINC PLATED |
| * | 18 | 8 | WR50204 | SHIM, CASTER, "C" SHAPED (FOR 3/4 STEM) |
| | 17 | 1 | 110587 | LABEL, SANITATION, UL CLASS. NSF #2 |
| | 16 | 1 | 111671 | LABEL, COMBI STAND, MODEL NO. CST-10-CBCA (6.10, 10.10) |
| | 15 | 12 | 112055 | SCREW, CARRIAGE, 10-24x1/2, SST (RND HEAD, SQ NECK) |
| | 14 | 1 | 111996 | PANEL, REAR, CLOSED COMBI STAND, X.10 |
| | 13 | 2 | 111995 | PANEL, SIDE, CLOSED COMBI STAND, X.10 |
| | 12 | 2 | KE52133 | CATCH, MAGNETIC, SNAP-IN, SOUTHCO #02-10-201-10 |
| △cz | 11 | 1 | 112194 | ASSEMBLY, DOOR, DOUBLE PANEL, RIGHT HAND, COMBI STAND, X.10 |
| △c1 | 10 | 1 | 112193 | ASSEMBLY, DOOR, DOUBLE PANEL, LEFT HAND, COMBI STAND, X.10 |
| | 9 | 20 | 104616 | NUT, HEX, LOCK, 10-24, SST, NYLON INSERT |
| | 8 | 20 | 101655 | WASHER, FLAT, #10, SST |
| | 7 | 8 | 112053 | SCREW, CARRIAGE, 10-24x5/8, SST (RND HEAD, SQ NECK) |
| | 6 | 2 | WR000001 | WELDMNT, HINGE BRACKET, LOWER RIGHT AND UPPER LEFT |
| | 5 | 2 | WR000000 | WELDMNT, HINGE BRACKET, LOWER LEFT AND UPPER RIGHT |
| | 4 | 4 | 19218 | SCREW, 1/4-20 X 3/8, HEX HEAD, SST |
| | 3 | 2 | 80020 | CASTER, SWIVEL, 4", WITHOUT BRAKE |
| | 2 | 2 | 80019 | CASTER, SWIVEL, 4", WITH BRAKE |
| | 1 | 1 | 111990 | WELDMNT, CLOSED COMBI CASTER STAND, X.10 |
| ITEM | QTY | PART NO. | DESCRIPTION | |

* = NOT SHOWN

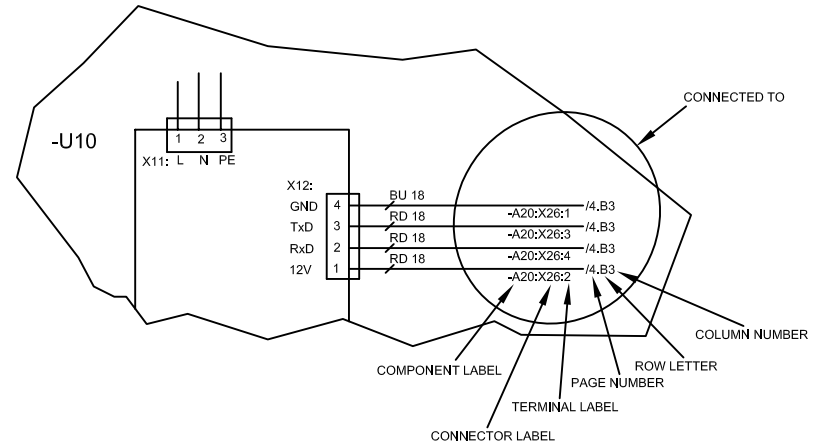


| | | | |
|------|-----|----------|--|
| * 18 | 1 | 260BAF | INSTRUCTION, INSTALLATION, COMBI STAND |
| * 17 | 4 | 112169 | SCREW, 3/4-10 X 1, HEX HEAD, ZINC PLATED |
| * 16 | 4 | 112168 | WASHER, LOCK, SPLIT, 3/4, ZINC PLATED |
| 15 | 1 | 110587 | LABEL, SANITATION, UL CLASS. NSF #2 |
| 14 | 1 | 111670 | LABEL, COMBI STAND, MODEL NO. CST-20-CB (6.20, 10.20) |
| 13 | 12 | 112055 | SCREW, CARRIAGE, 10-24x1/2, SST (RND HEAD, SQ NECK) |
| 12 | 1 | 112022 | PANEL, REAR, CLOSED COMBI STAND, X.20 |
| 11 | 2 | 112021 | PANEL, SIDE, CLOSED COMBI STAND, X.20 |
| 10 | 2 | KE52133 | CATCH, MAGNETIC, SNAP-IN, SOUTHCO #02-10-201-10 |
| 9 | 1 | 112196 | ASSEMBLY, DOOR, DOUBLE PANEL, RIGHT HAND, COMBI STAND, X.20 |
| 8 | 1 | 112195 | ASSEMBLY, DOOR, DOUBLE PANEL, LEFT HAND, COMBI STAND, X.20 |
| 7 | 20 | 104616 | NUT, HEX, LOCK, 10-24, SST, NYLON INSERT |
| 6 | 20 | 101655 | WASHER, FLAT, #10, SST |
| 5 | 8 | 112053 | SCREW, CARRIAGE, 10-24x5/8, SST (RND HEAD, SQ NECK) |
| 4 | 2 | WR000001 | WELDMENT, HINGE BRACKET, LOWER RIGHT AND UPPER LEFT |
| 3 | 2 | WR00000 | WELDMENT, HINGE BRACKET, LOWER LEFT AND UPPER RIGHT |
| 2 | 4 | 111950 | FOOT, ADJUSTABLE, FOR 1-1/2" SQUARE TUBING (16 GA OR 18 GA WALL), WITH 3-1/2" SST FLANGE W/HOLES |
| 1 | 1 | 112102 | WELDMENT, CLOSED COMBI FOOT STAND, X.20 |
| ITEM | QTY | PART NO. | DESCRIPTION |

PARTS LIST

| LABEL | DESCRIPTION | PART NO. | LOCATION | LABEL | DESCRIPTION | PART NO. | LOCATION |
|----------|----------------------------|-----------|-----------|-------|---|----------|----------|
| -A10 | CONTROL BOARD (SM 5010) | C5019100 | 3 | -W1 | CABLE, 9 PIN COM. | 300533 | 3.C3 |
| -A11 | OPERATION BOARD (BM 5010) | C5019101 | 3 | -Y1 | VALVE, CONDENSER, 120VAC NOISE FILTER (RC) | 300455 | 3.E4 |
| -A12 | PICTO BOARD (OPTION) | C5019105 | 3.B1 | | | 300407 | 3.E4 |
| -A13 | I.D. MODULE | C5019102 | 3.B8 | -Y10 | VALVE ASSY, 2 WAY, 120VAC | 300456 | 3.E |
| -A20 | GAS BOARD (GM5010) | C5019103 | 4 | | -Y2 VALVE, DEHUMID. | - | 3.E |
| -B1 | WATER LEVEL PROBE | C5019003 | 3.A6 | | -Y3 VALVE, GEN. FILL | - | 3.E |
| -B3 | CONDENSOR PROBE | C5016006 | 3.B4 | | NOISE FILTER (RC) | - | 3.E |
| -B4 | STEAM GEN PROBE | C5016006 | 3.B3 | | VALVE ASSY, 3 WAY, 120VAC(CLEANING OPTION) | 300363 | 3 |
| -B5 | BYPASS PROBE | C5016006 | 3.B4 | | -Y2 VALVE, DEHUMID. | - | 3 |
| -B6 | OVEN PROBE | C5016006 | 3.B4 | | -Y3 VALVE, GEN. FILL | - | 3 |
| -B7.1 | OVEN HI-TEMP THERMOSTAT | C5001041 | 5.B4 | | -Y21 VALVE, CLEAN/RINSE | - | 3 |
| -B7.2 | GEN. HI-TEMP THERMOSTAT | 1089952 | 6.B4 | | NOISE FILTER (RC) | 300407 | 3 |
| -B8 | GEN. HI-TEMP PROBE | C5016008 | 3.B3 | -Y20 | PUMP, RINSING AGENT, 120VAC(CLEANING OPTION) | 300352 | 3.E7 |
| -B10 | CORE TEMP. PROBE (KTM CTC) | C5013000 | 3.B4 | -Y22 | PUMP, CLEANING AGENT, 120VAC(CLEANING OPTION) | 300352 | 3.E8 |
| -F1 | FUSE, 3A | KE52936-6 | 2.B3 | -Y23 | PUMP, CLEANING AGENT, 120VAC(CLEANING OPTION) | 300352 | 3.E8 |
| -F2 | FUSE, 1A | 300418 | 3.E3 | -Z1 | LINE FILTER | 300413 | 2.B1 |
| -F10 | FUSE, 15A | KE52936-9 | 2.B6 | | | | |
| -FS1,FS2 | FLAME SENSOR | C4018000 | 5.E3,6.E3 | | | | |
| -G1 | POWER SUPPLY, 12VDC | 300350 | 2.C3 | | | | |
| -H5 | OVEN LAMP | C5005043 | 3.E3 | | | | |
| -M1 | MOTOR, CONVECTION | C50180211 | 2.E5 | | | | |
| -M3 | COOLING FAN | C5018023 | 3.E1 | | | | |
| -M4 | PUMP, GEN. | 300506 | 3.E6 | | | | |
| -N20 | BURNER ASSY, HOT AIR | - | 5.D3 | | | | |
| | VALVE, GAS, 120VAC | C6016009 | | | | | |
| | CONTROL, BURNER, 120VAC | C6016023 | | | | | |
| -N21 | BURNER ASSY, GEN. | - | 6.D3 | | | | |
| | VALVE, GAS, 120VAC | C6016009 | | | | | |
| | CONTROL, BURNER, 120VAC | C6016023 | | | | | |
| -R20 | IGNITOR, CONV. | C4018002 | 5.E4 | | | | |
| -R21 | IGNITOR, GEN. | C4018002 | 6.E3 | | | | |
| -S1 | SWITCH, CONTROL POWER | 19993 | 2.A1 | | | | |
| -S2 | PRESSURE SWITCH | C5013052 | 3.A5 | | | | |
| -S7 | DOOR SWITCH | C5003075 | 3.A6 | | | | |
| -T1 | TRANSFORMER, 120V/24V | 300419 | 5.C2 | | | | |
| -T2 | TRANSFORMER, 120V/24V | 300419 | 6.C2 | | | | |
| -U10 | AC DRIVE | 300412 | 2.B6 | | | | |
| -U20 | POWER BURNER ASSY, HOT AIR | - | 5.D6 | | | | |
| | FAN, BURNER, 120VAC | C5018006 | | | | | |
| -U21 | POWER BURNER ASSY, GEN. | - | 6.D6 | | | | |
| | FAN, BURNER, 120VAC | C5018006 | | | | | |

CONNECTION NUMBERING EXAMPLE



THIS DESIGN DESCRIBES A PROPRIETARY ITEM AND IS THE PROPERTY OF CLEVELAND RANGE. THIS DRAWING IS NOT TO BE COPIED OR USED WITHOUT THE APPROVAL OF CLEVELAND RANGE.

CLEVELAND RANGE, LLC
1333 East 179th St., Cleveland, Ohio 44110-2574

TITLE

WIRING DIAGRAM
OGB 6.10/6.20/10.10

VOLTAGE: 120VAC
WATTAGE: 10.25W
CURRENT: 11.7A

DRAWN BY

DRL

DATE

7-25-05

DRAWING NO.

300493

SIZE

B

REV

D

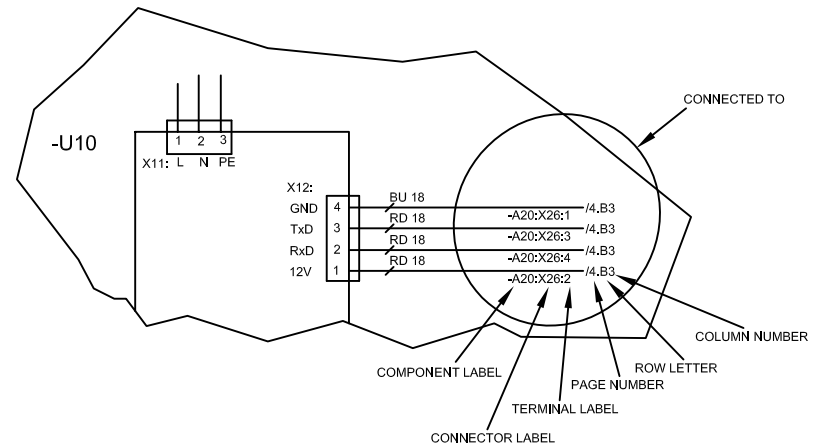
SHEET 1 OF 9

PARTS LIST

| LABEL | DESCRIPTION | PART NO. | LOCATION |
|-------|----------------------------|-----------|----------|
| -A10 | CONTROL BOARD (SM 5010) | C5019100 | 3 |
| -A11 | OPERATION BOARD (BM 5010) | C5019101 | 3 |
| -A12 | PICTO BOARD (OPTION) | C5019105 | 3.B1 |
| -A13 | I.D. MODULE | C5019102 | 3.B8 |
| -B3 | CONDENSOR PROBE | C5016006 | 3.B4 |
| -B5 | BYPASS PROBE | C5016006 | 3.B4 |
| -B6 | OVEN PROBE | C5016006 | 3.B4 |
| -B7.1 | OVEN HI-TEMP THERMOSTAT | C5001041 | 5.B4 |
| -B10 | CORE TEMP. PROBE (KTM CTC) | C5013000 | 3.B4 |
| -F1 | FUSE, 3A | KE52936-6 | 2.B3 |
| -F2 | FUSE, 1A | 300418 | 3.E3 |
| -FS1 | FUSE, 15A | KE52936-9 | 2.B6 |
| -F10 | FLAME SENSOR | C4018000 | 4.E3 |
| -G1 | POWER SUPPLY, 12VDC | 300350 | 2.C3 |
| -H5 | OVEN LAMP | C5005043 | 3.E3 |
| -M1 | MOTOR, CONVECTION | C50180211 | 2.E5 |
| -M3 | COOLING FAN | C5018023 | 3.E1 |
| -N20 | BURNER ASSY, HOT AIR | - | 4.D3 |
| | VALVE, GAS, 120VAC | C6016009 | |
| | CONTROL, BURNER, 120VAC | C6016023 | |
| -R20 | IGNITOR, CONV. | C4018002 | 4.E4 |
| -S1 | SWITCH, CONTROL POWER | 19993 | 2.A1 |
| -S2 | PRESSURE SWITCH (PUMP) | C5013052 | 3.A5 |
| -S3 | PRESSURE SWITCH (INJECT.) | C5009063 | 3.A5 |
| -S7 | DOOR SWITCH | C5003075 | 3.A6 |
| -T1 | TRANSFORMER, 120V/24V | 300419 | 4.C2 |
| -U10 | AC DRIVE | 300412 | 2.B6 |
| -U20 | POWER BURNER ASSY, HOT AIR | - | 4.D6 |
| | FAN, BURNER, 120VAC | C5018006 | |

| LABEL | DESCRIPTION | PART NO. | LOCATION |
|-------|--|----------|----------|
| -W1 | CABLE, 9 PIN COM. | 300533 | 3.C3 |
| -Y1 | VALVE, CONDENSER, 120VAC NOISE FILTER (RC) | 300455 | 3.E4 |
| -Y10 | VALVE ASSY, 2 WAY, 120VAC -Y2 VALVE, DEHUMID. | 300407 | 3.E4 |
| | -Y3 VALVE, GEN. FILL | 300456 | 3.E |
| | NOISE FILTER (RC) | - | 3.E |
| | VALVE ASSY, 3 WAY, 120VAC(CLEANING OPTION) | - | 3.E |
| | -Y2 VALVE, DEHUMID. | 300363 | 3 |
| | -Y3 VALVE, GEN. FILL | - | 3 |
| | -Y21 VALVE, CLEAN/RINSE | - | 3 |
| | NOISE FILTER (RC) | 300407 | 3 |
| -Y20 | PUMP, RINSING AGENT, 120VAC(CLEANING OPTION) | 300352 | 3.E7 |
| -Y22 | PUMP, CLEANING AGENT, 120VAC(CLEANING OPTION) | 300352 | 3.E8 |
| -Y23 | PUMP, CLEANING AGENT, 120VAC(CLEANING OPTION) | 300352 | 3.E8 |
| -Z1 | LINE FILTER | 300413 | 2.B1 |

CONNECTION NUMBERING EXAMPLE



THIS DESIGN DESCRIBES A PROPRIETARY ITEM AND IS THE PROPERTY OF CLEVELAND RANGE.
THIS DRAWING IS NOT TO BE COPIED OR USED WITHOUT THE APPROVAL OF CLEVELAND RANGE.

CLEVELAND RANGE, LLC
1333 East 179th St., Cleveland, Ohio 44110-2574

TITLE

WIRING DIAGRAM
OGS 6.10/6.20/10.10

VOLTAGE: 120VAC
WATTAGE: 10.25W
CURRENT: 11.7A

DRAWN BY

DRL

DATE

8-9-05

DRAWING NO.

300494

SIZE

B

REV

D

SHEET 1 OF 6