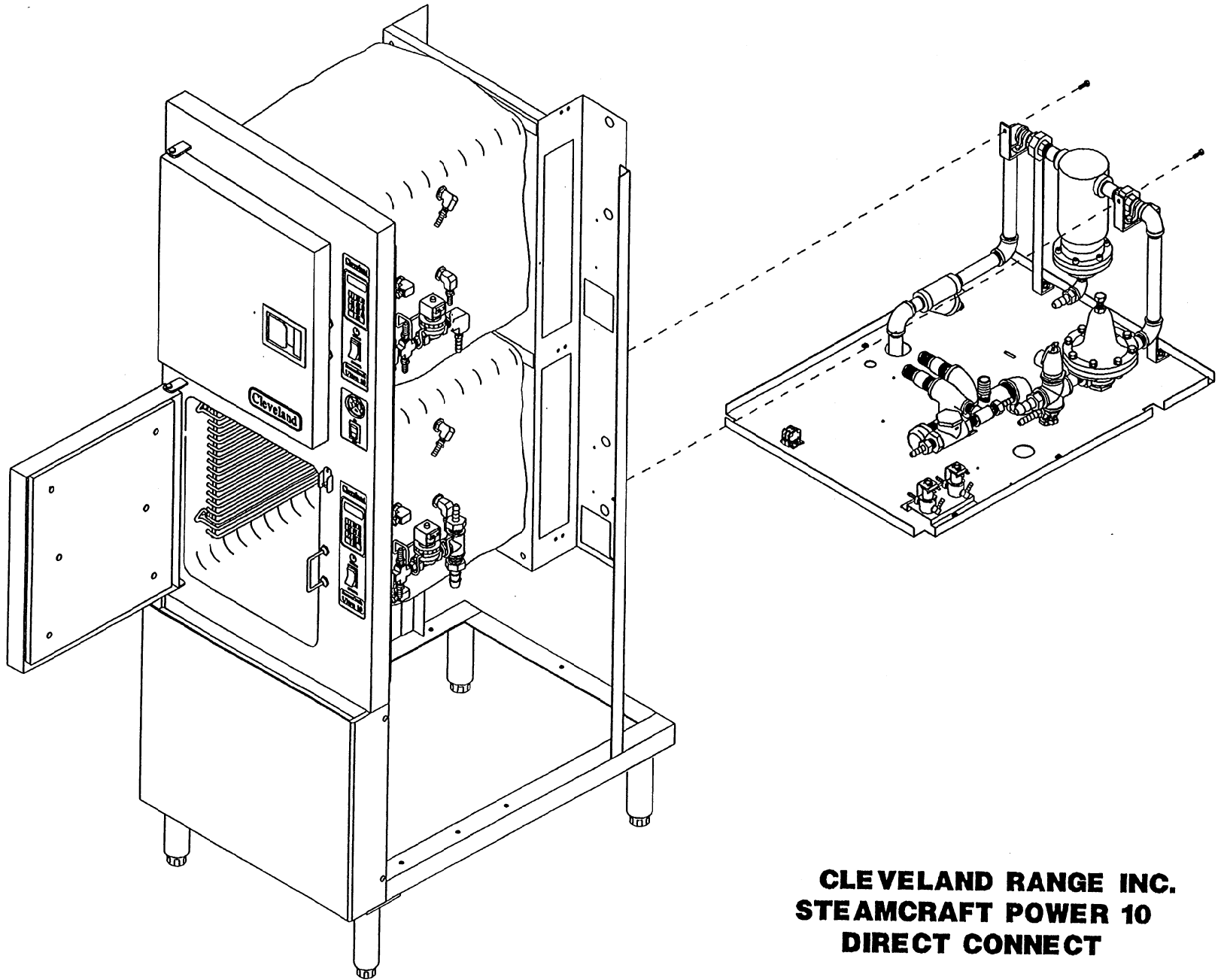
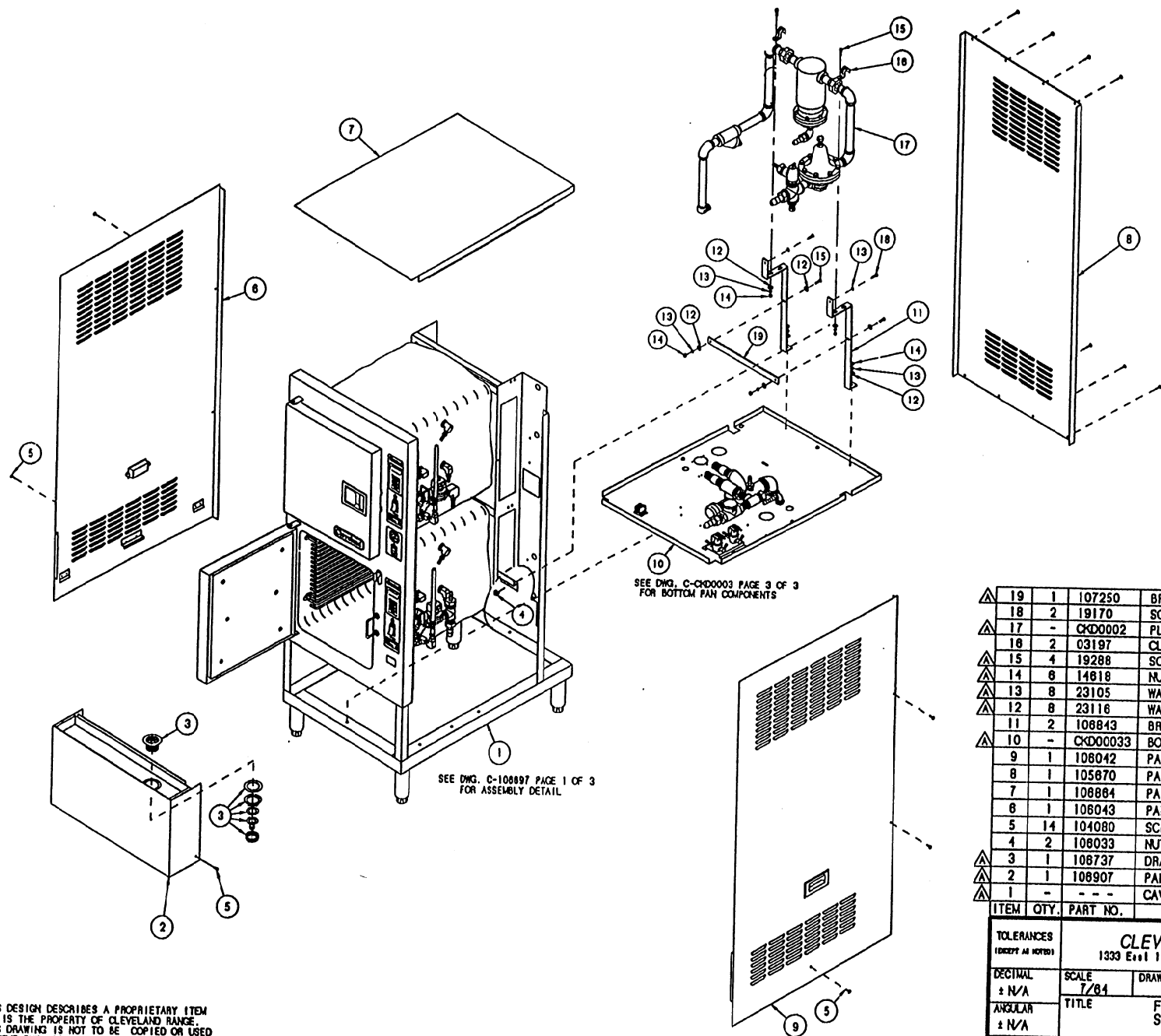


**CLEVELAND RANGE INC.  
STEAMCRAFT POWER 10  
DIRECT CONNECT**



**CLEVELAND RANGE INC.  
STEAMCRAFT POWER 10  
DIRECT CONNECT**



SEE DWG. C-CKD0003 PAGE 3 OF 3 FOR BOTTOM PAN COMPONENTS

SEE DWG. C-108897 PAGE 1 OF 3 FOR ASSEMBLY DETAIL

THIS DESIGN DESCRIBES A PROPRIETARY ITEM AND IS THE PROPERTY OF CLEVELAND RANGE. THIS DRAWING IS NOT TO BE COPIED OR USED WITHOUT THE APPROVAL OF CLEVELAND RANGE.

△	19	1	107250	BRACKET, SUPPORT, PLUMBING
	18	2	19170	SCREW, HEX, 1/4-20 X 5/8
△	17	-	CKD0002	PLUMBING, SC 10, DIRECT CONNECT
	16	2	03197	CLAMP, RIGID 3/4" HOLE
△	15	4	19288	SCREW, HEX, 1/4-20 X 3/4
△	14	8	14818	NUT, HEX 1/4-20
△	13	8	23105	WASHER, LOCK, 1/4"
△	12	8	23116	WASHER, FLAT 1/4 X 5/8 X .085
	11	2	108843	BRACKET, SUPPORT, SC 10 DC
△	10	-	CKD00033	BOTTOM PAN COMPONENTS ASSEMBLY
	9	1	108042	PANEL ASSY, SIDE, RIGHT, SC 10
	8	1	105870	PANEL, BACK, SC 10
	7	1	108864	PANEL, TOP, SC 10 ELECTRIC
	6	1	108043	PANEL ASSY, SIDE, LEFT, SC 10
	5	14	104080	SCREW, TRUSS HD. SHT. MET. #8 X 1/2
	4	2	108033	NUT, TINNEMAN
△	3	1	108737	DRAIN ASSY, TABLETOPS AND SC 10
△	2	1	108907	PANEL ASSY, LOWER FRONT, 4"
△	1	-	- - -	CAVITY ASSEMBLY WITH DOORS, SC 10
	ITEM	QTY.	PART NO.	DESCRIPTION

<p><b>CLEVELAND RANGE INC.</b> 1339 East 179th St. Cleveland, Ohio 44110-2574</p>			
<p>TOLERANCES (EXCEPT AS NOTED)</p>	<p>SCALE 7/84</p>	<p>DRAWN BY DUTCHMAN</p>	<p>APPROVED BY</p>
<p>DECIMAL ± N/A</p>	<p>TITLE FINAL ASSEMBLY, H.L. STEAMCRAFT POWER 10 DIRECT CONNECT</p>		
<p>ANGULAR ± N/A</p>	<p>DATE 03-17-94</p>	<p>DRAWING NO. C - CKD0003</p>	<p>PAGE 2 OF 3 REV. A</p>

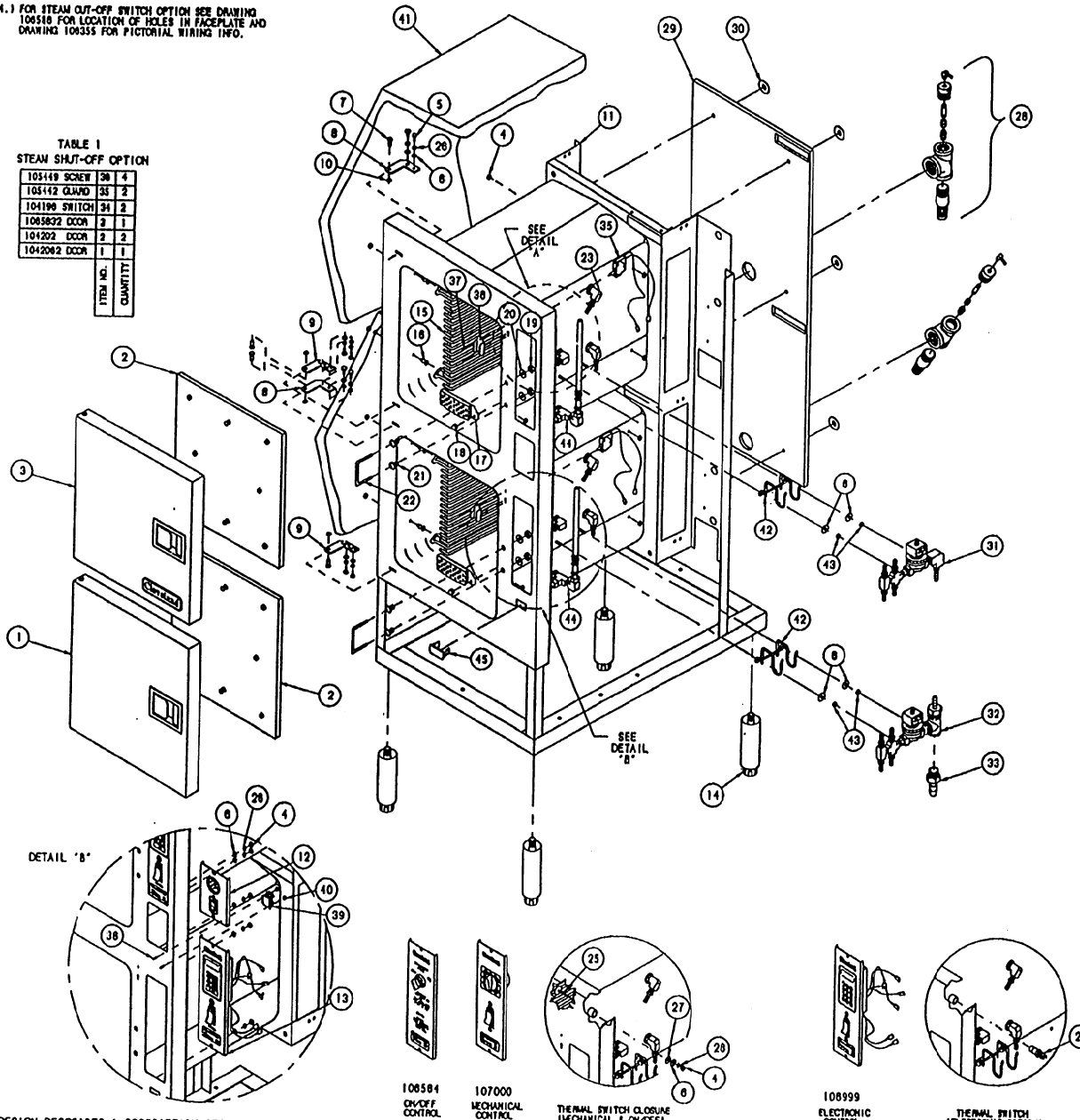
NOTES:

- 1.1 SEE DRAWING A HOSE DETAIL.
- 2.1 SEE INSTRUCTION DRAWING CKD0003 FOR LABELS AND LABEL LOCATIONS.
- 3.1 REVISION SYMBOLS (Δ) ARE PLACED NEXT TO AFFECTED ITEM NO. IN BILL OF MATERIALS ONLY.
- 4.1 FOR STEAM CUT-OFF SWITCH OPTION SEE DRAWING 108518 FOR LOCATION OF HOLES IN FACEPLATE AND DRAWING 108355 FOR PICTORIAL WIRING INFO.

LET.	REVISIONS	DATE	BY
A	SEE E.O. #C-2882	2-05-94	PJD

TABLE I  
STEAM SHUT-OFF OPTION

ITEM NO.	QUANTITY
105449 SCREW	20 4
105442 GUARD	25 2
104196 SWITCH	25 2
1085832 DOOR	2 1
104202 DOOR	2 2
1042082 DOOR	1 1



THIS DESIGN DESCRIBES A PROPRIETARY ITEM AND IS THE PROPERTY OF CLEVELAND RANGE. THIS DRAWING IS NOT TO BE COPIED OR USED WITHOUT THE APPROVAL OF CLEVELAND RANGE.

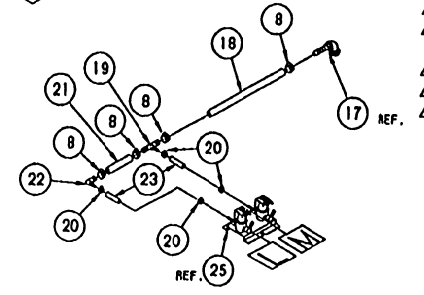
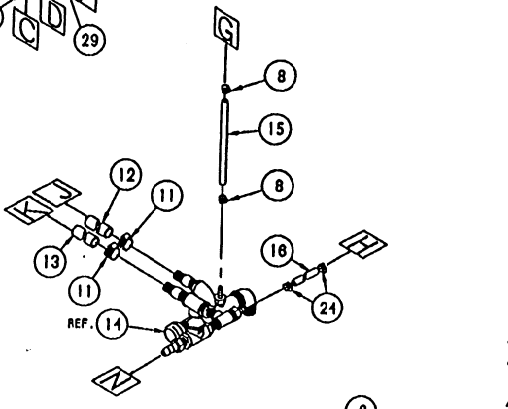
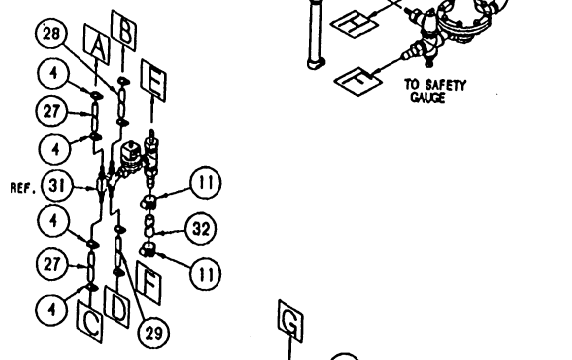
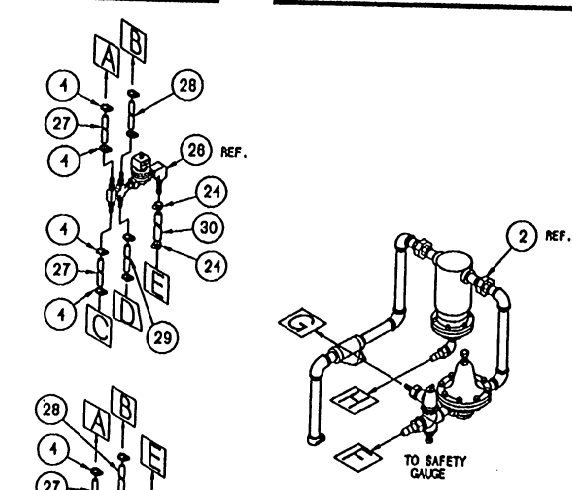
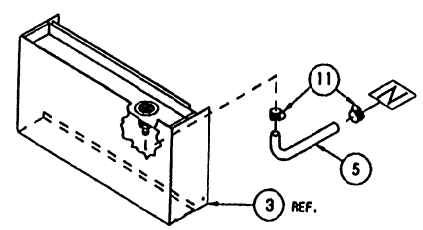
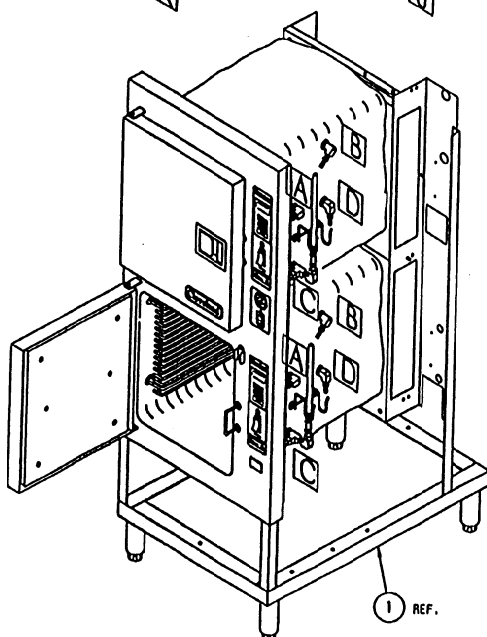
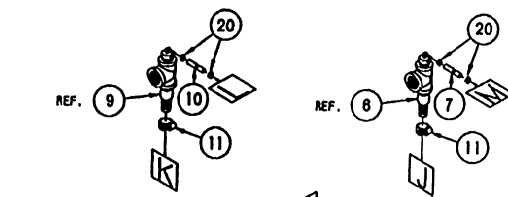
TIMER OPTIONS - DETAIL A

ITEM	QTY.	PART NO.	DESCRIPTION
45	1	105441	PLUG, SWITCH BLANK, MATTE
44	2	107059	BREATHER/STEAM NOZZLE ASSY. (3/8" HOSE)
43	4	14892	NUT, ELASTIC LOCK, #10-24
42	2	108732	BRACKET, WIRE, VALVE SUPPORT
41	2	104193	INSULATION, BODY, CUT
40	2	104223	NUT, ELASTIC LOCK, 8-32
39	1	44188	TERMINAL BLOCK, 2-POLE
38	2	19926	STUD, WELD, 8-32 X 1/2, S/S
37	-	105449	SCREW, TRUSS HD, 8-32 X .312, S/S
36	-	105442	GUARD, SWITCH PROTECTION
35	-	104196	SWITCH ASSY, CAPT. STEAM SHUT-OFF
34	-	108819	WIRE HARNESS, ON/OFF, SC10
-	-	108818	WIRE HARNESS, MECH. CONTROL, SC 10
-	-	108817	WIRE HARNESS, ELECT. CONTROL, SC 10
33	1	08240	FITTING, HOSE BARB 3/4 H X 3/4 MPT
32	1	108892	STEAM INLET ASSY, LOWER COMPARTMENT
31	1	108891	STEAM INLET ASSY, UPPER COMPARTMENT
30	6	101953	CLIP, INSULATION RETAINER
29	1	108235	INSULATION, BODY REAR
28	2	1081711	DRAIN ASSEMBLY, SC 10
27	2	23136	WASHER, FLAT 3/8 X 7/8 X 1/16 THK.
26	16	23105	WASHER, LOCK S/S 1/4 KATLINK STYLE
25	2	104409	CLOSURE, THERMAL OPENING
24	2	19972	SWITCH, THERMAL CLOSE
23	6	1082301	STEAM NOZZLE ASSY, STEAMCRAFT
22	2	104046	CATCH, DOOR
21	4	14895	NUT, DOOR CATCH MOUNTING, S/S
20	4	23149	WASHER, NYLON, TYPE 6/8
19	4	14849	NUT, HEX 1/2-13, ZINC PLATED
18	2	14877	NUT, ACOH
17	2	69298	SCREEN, COMPARTMENT DRAIN, POLYPROP
16	16	101305	PIN, RACK
15	4	414232	RACK, PAN SLIDE, 18"
14	4	08158	LEG, BULLEY
-	-	108584	TIMER ASSY, ON/OFF CONTROL, SC 10
13	-	107000	TIMER ASSY, MECH. CONTROL, SC 10
-	-	108999	TIMER ASSY, ELECTRIC CONTROL, SC 10
12	1	108704	PANEL ASSEMBLY, POWER SWITCH, SC 10 DC
11	1	105881	CAVITY WELD ASSY, STEAMCRAFT 10
10	4	104082	RING, SHAP, S/S
9	2	1040431	HINGE ASSY, WELD, LOWER
8	2	1040732	HINGE ASSY, WELD, UPPER
7	4	104077	PIN, HINGE
6	20	23116	WASHER, FLAT 1/4 ID X 5/8 OD, S/S
5	8	19170	SCREW, HEX HD, 1/4-20 X 5/8 S/S
4	24	14818	NUT, HEX 1/4-20 S/S
3	-	1085832	DOOR, OUTER ASSY, H.L. W/LOGO, W/ACTUATOR
-	-	108583	DOOR, OUTER ASSY, H.L. W/LOGO
2	2	104202	DOOR, INNER ASSY, H.L.
1	-	1042082	DOOR, OUTER ASSY, H.L. W/ACTUATOR
-	-	104206	DOOR, OUTER ASSY, H.L.

TOLERANCES (EXCEPT AS NOTED)			
DECIMAL ± N/A	SCALE 1/8	DRAWN BY DUTCHMAN	APPROVED BY
ANGULAR ± N/A	TITLE FINAL ASSEMBLY, H.L. STEAMCRAFT POWER 10 DIRECT CONNECT		
CK	DATE 03-17-94	DRAWING NO. C - CKD0003	PAGE 1 OF 3
			REV. A

NOTES:

1.1 RELATIVE POSITION OF OBJECTS ARE NOT REPRESENTATIVE OF INSTALLED LOCATIONS.



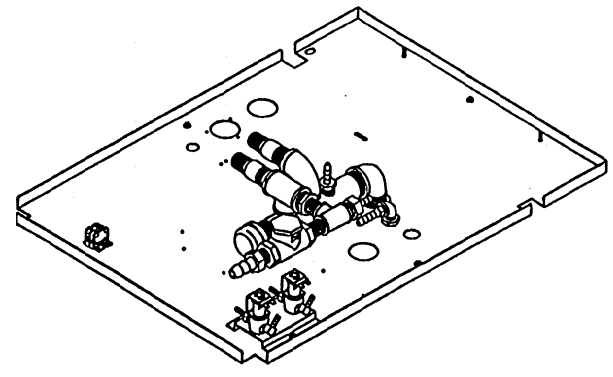
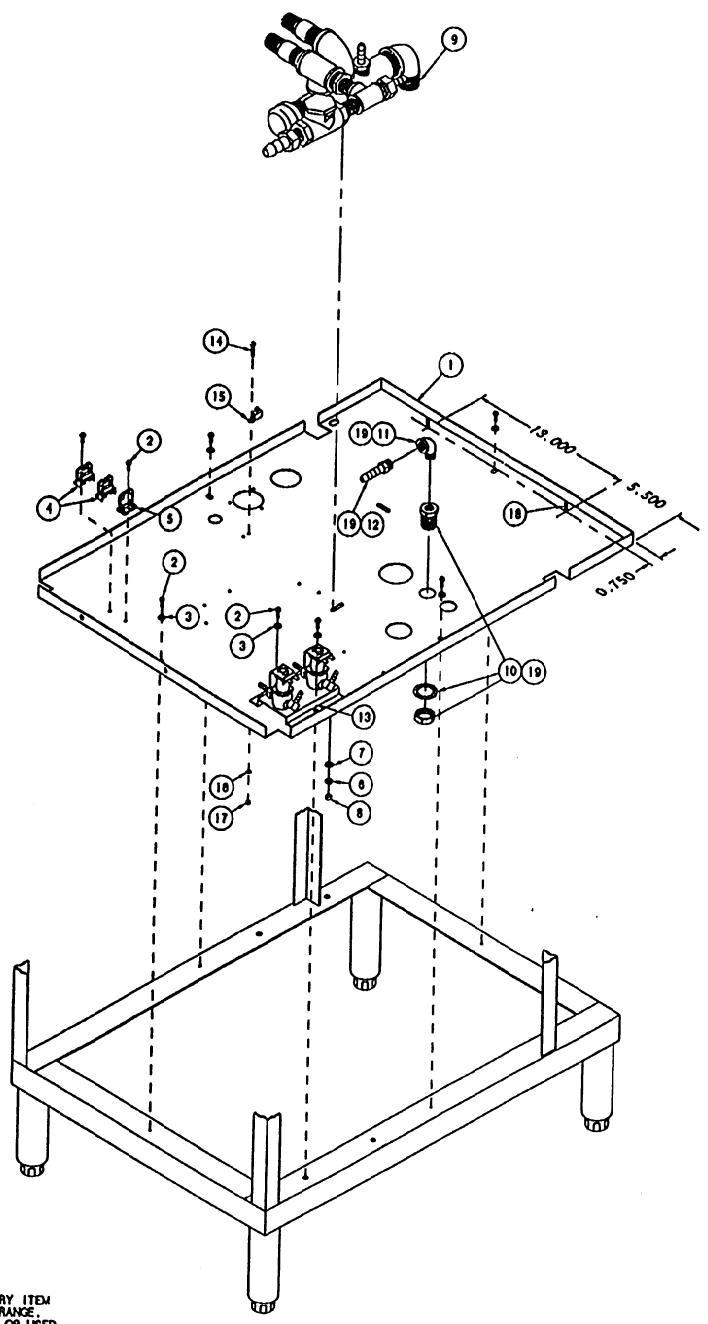
LET.	REVISIONS	DATE	BY
A	SEE E.O. 12-2882	2-04-94	PJD

ITEM	QTY.	PART NO.	DESCRIPTION
32	1	085051500	HOSE, DARIPREEN 3/4 ID X 15' LG.
31	-	108892	STEAM INLET ASSY, LOWER COMPARTMENT
30	1	085041950	HOSE, DARIPREEN 1/2 ID X 3/4 CD X 19.500
29	2	1052791050	HOSE, SILICONE 3/8 ID X 10.500" LG
28	2	1052791200	HOSE, SILICONE 3/8 ID X 12" LG
27	4	1052790475	HOSE, SILICONE 3/8 ID X 4.750" LG
26	-	108891	STEAM INLET ASSY, UPPER COMPARTMENT
25	-	105987	WATER INLET ASSY
24	4	03208	CLAMP, WORM DRIVE, 1/2 TO 29/32 DIA.
23	2	1058500200	HOSE, NT-80, 1/4 ID X 1/2 CD X 2" LG
22	1	105792	FITTING, ELBOW 90°, 1/4 H X 1/2 H
21	1	1058490300	HOSE, NT-80 1/2 ID X 3/4 CD X 3.000 LG
20	8	108528	CLAMP, WORM DRIVE, 3/16 TO 5/16 DIA.
19	1	105790	FITTING, TEE 1/2 H X 1/2 H X 1/4 H
18	1	1058491150	HOSE, NT-80 1/2 ID X 3/4 CD X 11.500
17	-	-	WATER INLET ASSY.
16	1	085041850	HOSE, DARIPREEN, 1/2" ID X 18.500" LG.
15	1	085040900	HOSE, DARIPREEN, 1/2" ID X 9" LG.
14	-	108815	DRAIN MANIFOLD ASSY, SC POWER 10
13	1	1054894100	HOSE, EPDM, BLACK, 1" ID X 41" LG.
12	1	1054891900	HOSE, EPDM, BLACK, 1" ID X 19" LG.
11	8	03204	CLAMP, WORM DRIVE .812" TO 1.500" DIA.
10	1	1058504800	HOSE, NT-80, 1/4 ID X 1/2 CD X 48" LG
9	1	-	COMPARTMENT DRAIN ASSY, SC 10, UPPER
8	6	108219	CLAMP, WORM DRIVE, 1/4 TO 25/32 DIA.
7	1	1058503100	HOSE, NT-80, 1/4 ID X 1/2 CD X 31" LG
6	1	-	COMPARTMENT DRAIN ASSY, SC 10, LOWER
5	1	107010	HOSE, TRAY DRAIN, 3/4" I.D. BLACK EPDM
4	18	105278	CLAMP, HOSE, NYLON, 5/8" CD HOSE
3	-	-	PANEL ASSY, LOWER FRONT, 4"
2	-	-	PLUMBING, SC POWER 10, DIRECT CONNECT
1	-	-	CAVITY ASSY. WITH DOORS, SC 10

<p>TOLERANCES (EXCEPT AS NOTED)</p>			
DECIMAL	SCALE	<p><b>CLEVELAND RANGE INC.</b> 1333 East 179th St. Cleveland, Ohio 44110-2574</p>	
± N/A	NTS	DRAWN BY	APPROVED BY
ANGULAR	TITLE	Dutchman	Dodson
± N/A	HOSE DETAIL, H.L. STEAMCRAFT POWER 10 DIRECT CONNECT		
CK	DATE	DRAWING NO.	REV.
	03-17-94	C - CKD0004	A

THIS DESIGN DESCRIBES A PROPRIETARY ITEM AND IS THE PROPERTY OF CLEVELAND RANGE. THIS DRAWING IS NOT TO BE COPIED OR USED WITHOUT THE APPROVAL OF CLEVELAND RANGE.

SEE CKD0003 SHEET 1 OF 3

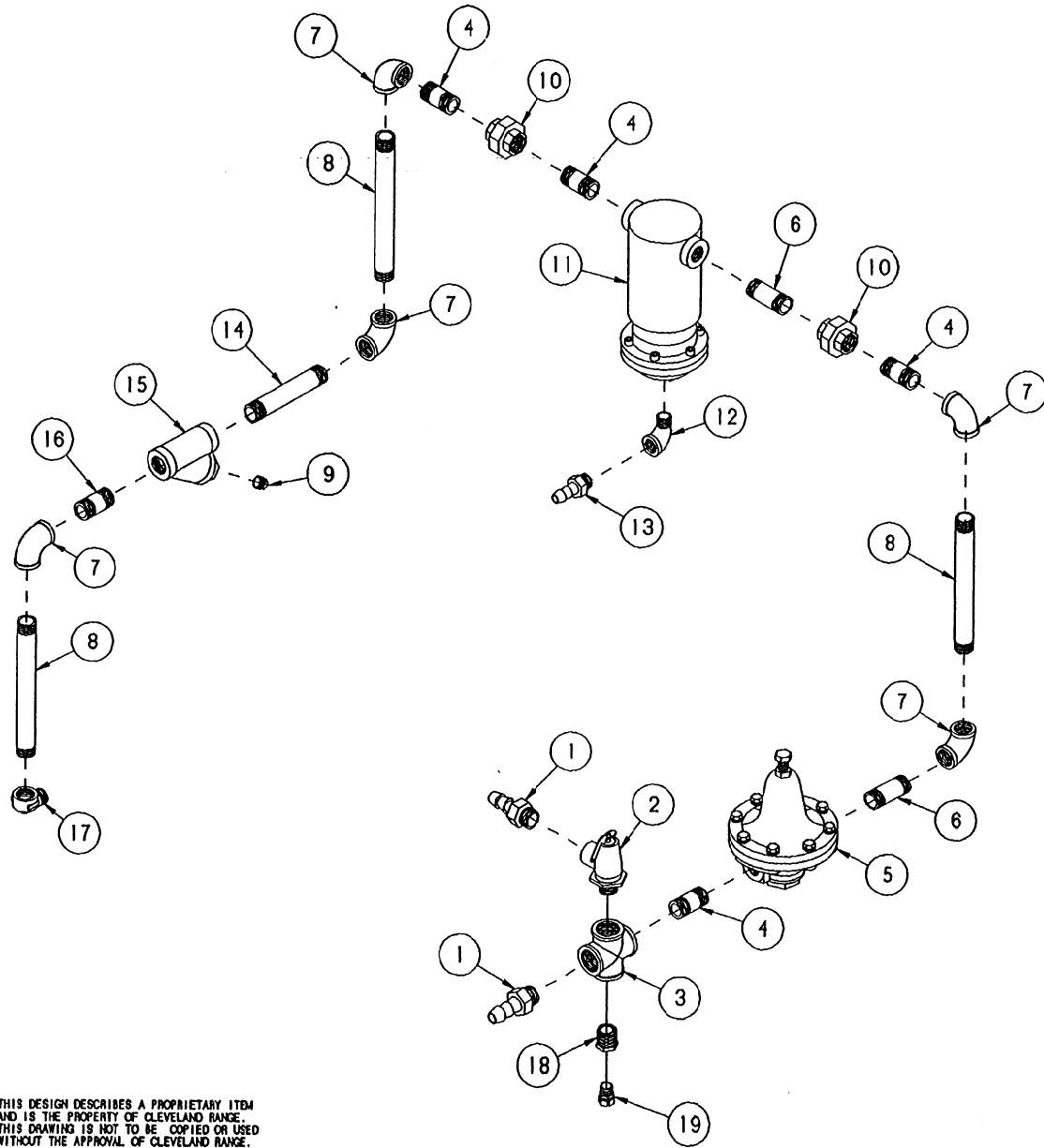


CAVITY WELD ASSY. (REF.)

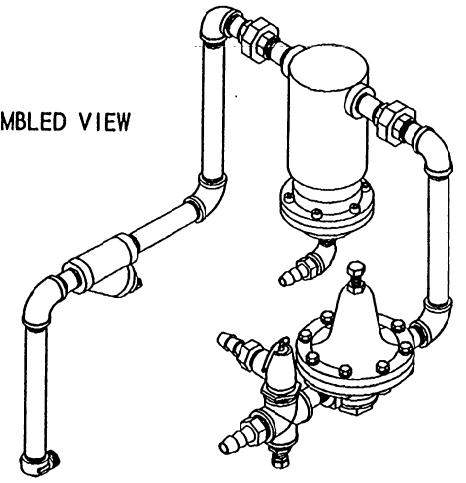
THIS DESIGN DESCRIBES A PROPRIETARY ITEM AND IS THE PROPERTY OF CLEVELAND RANGE. THIS DRAWING IS NOT TO BE COPIED OR USED WITHOUT THE APPROVAL OF CLEVELAND RANGE.

ITEM	QTY.	PART NO.	DESCRIPTION
19	A/R	00934	ADHESIVE, RECTORSEAL
18	2	19898	STUD, WELD, 1/4-20 X 5/8", S/S
17	1	14859	NUT, HEX 10-24, S/S
18	1	23114	WASHER, LOCK, INT. TOOTH #10
15	1	20304	LUG, GROUND, SOLDERLESS
14	1	19287	SCREW, RD HD SLTD, #10-24 X 1/2
13	1	105987	WATER INLET ASSY.
12	1	100746	FITTING, HOSE, 3/8 NPT X 1/2 H. STR.
11	1	05280	ELBOW, STREET, 3/8 X 90°, BRASS
10	1	105794	FITTING, BULKHEAD, 3/8 NPT, BRASS
9	1	108815	DRAIN MANIFOLD ASSY., SC10, DIR. CON
8	1	14818	NUT, HEX, 1/4-20, S/S
7	1	23118	WASHER, FLAT, 1/4, S/S
6	1	23105	WASHER, SPLIT LOCK, 1/4, S/S
5	1	20302	TERMINAL END SECTION, MARATHON
4	2	20301	TERMINAL SECTION, MARATHON
3	8	101655	WASHER, FLAT #10, S/S
2	8	108123	SCREW, TORX/SLOT 10-32 X 1/2
1	1	105867	PAN, BOTTOM, STEAMCRAFT 10

TOLERANCES (EXCEPT AS NOTED)		<b>CLEVELAND RANGE INC.</b> 1333 East 179th St. Cleveland, Ohio 44110-2574	
DECIMAL ± .030	SCALE 3/16"=1"	DRAWN BY DUTCHMAN	APPROVED BY
ANGULAR ± 1'	TITLE FINAL ASSEMBLY H.L. STEAMCRAFT POWER 10 DIRECT CONNECT		
CK	DATE 03-17-94	DRAWING NO. C - CKD0003	PAGE 3 OF 3 REV. A



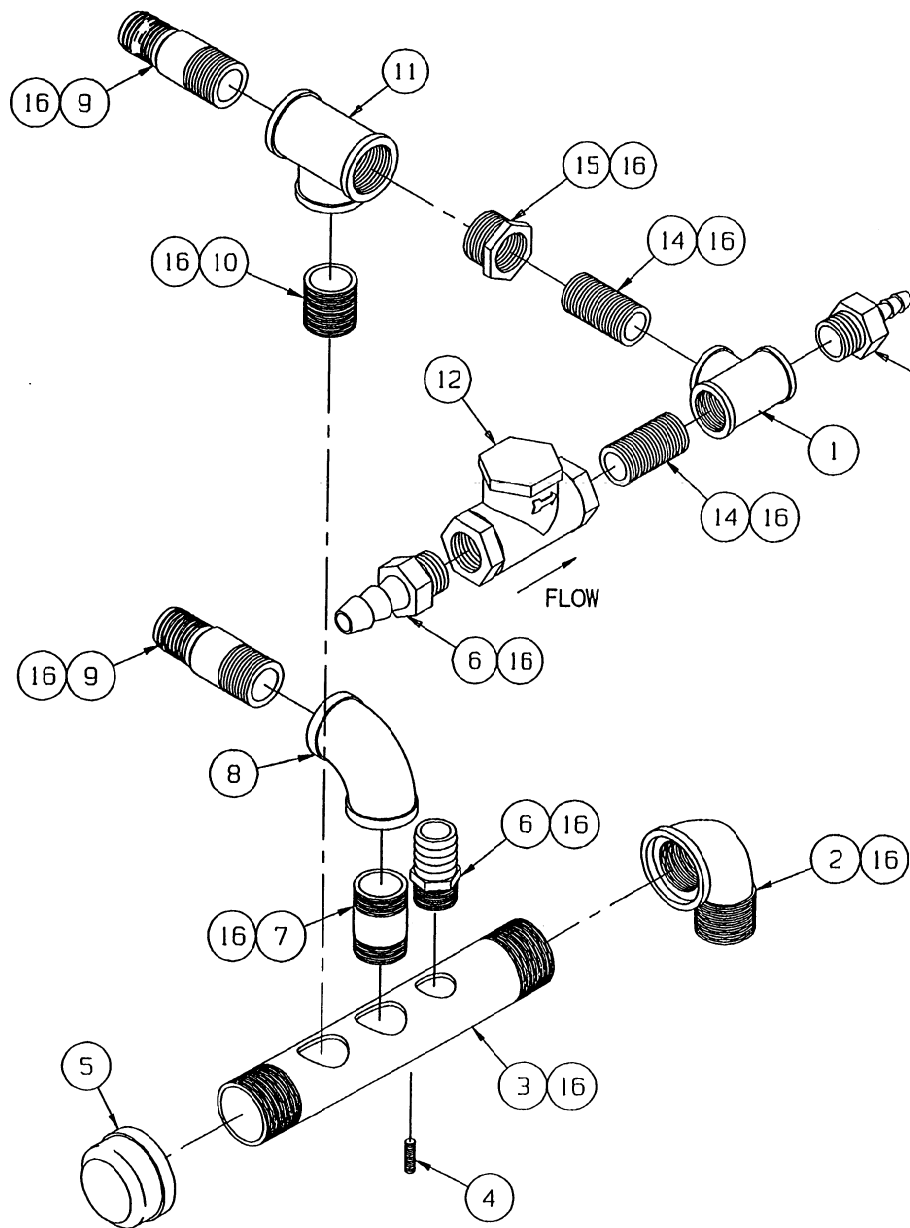
ASSEMBLED VIEW



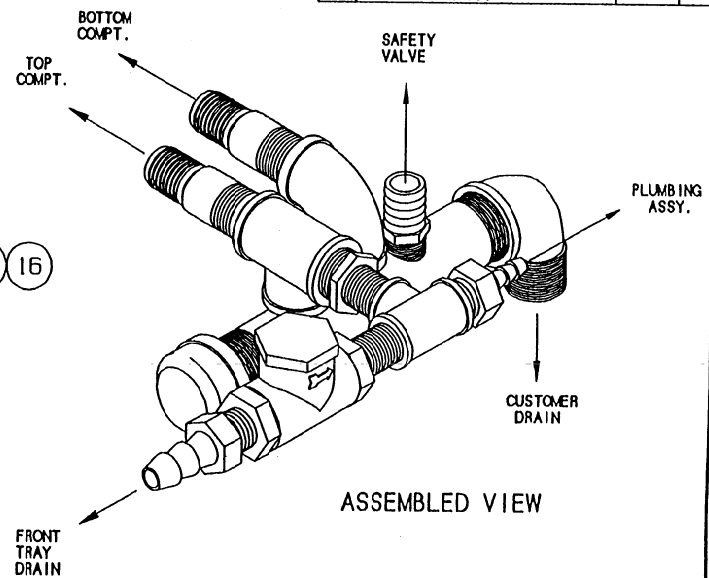
THIS DESIGN DESCRIBES A PROPRIETARY ITEM AND IS THE PROPERTY OF CLEVELAND RANGE. THIS DRAWING IS NOT TO BE COPIED OR USED WITHOUT THE APPROVAL OF CLEVELAND RANGE.

19	1	06199	FITTING, COMPRESSION, 3/8T X 3/8MPT
18	1	02575	BUSHING, REDUCING, 3/4" X 3/8"
17	1	05231	ELBOW, STREET, 3/4", BRASS, FORGED
16	1	14348	NIPPLE, 3/4" X 2.5", BRASS
15	1	19872	STRAINER, Y PIPE FITTING, 3/4"
14	1	14355	NIPPLE, 3/4" X 5", BRASS
13	1	06237	FITTING, HOSE BARB, 1/2H X 1/2MPT
12	1	05252	ELBOW, STREET, 3/4", BLACK
11	1	19020	TRAP, SEPARATOR COMB., #75
10	2	21304	UNION, 3/4", RED BRASS
9	1	16601	PLUG, SQUARE HEAD, 3/8"
8	3	14455	NIPPLE, 3/4" X 0.5", BRASS
7	5	05280	ELBOW, 3/4", BRASS
6	2	14348	NIPPLE, 3/4" X 3", BRASS
5	1	22122	VALVE, PRESSURE REDUCING, 3/4MPT
4	4	14431	NIPPLE, 3/4" X 2", BRASS
3	1	03732	CROSS, 4-WAY, 3/4", BRASS
2	1	22131	VALVE, BOILER SAFETY, 3/4", 15PSI
1	2	06240	FITTING, HOSE BARB, 3/4H X 3/4MPT
ITEM	QTY.	PART NO.	DESCRIPTION

TOLERANCES (EXCEPT AS NOTED)			
<b>CLEVELAND RANGE INC.</b> 1333 East 179th St. Cleveland, Ohio 44110-2574			
DECIMAL ± N/A	SCALE 1/4"=1	DRAWN BY D. DODSON	APPROVED BY
ANGULAR ± N/A	TITLE PLUMBING, STEAMCRAFT 10, DIRECT CONNECT		
CK	DATE 03-17-94	DRAWING NO. C - CKD0002,	REV. -



LET.	REVISIONS	DATE	BY
A	REPLACED 100223 WITH 20211, 14323 WITH 14343, 20227 WITH 20205, AND 22149 WITH 22119; ADDED 08240(1), 02598, AND 06235; DELETED 06237(2); SEE EO #C-2610.	6/7/94	DLD



ASSEMBLED VIEW

ITEM	QTY.	PART NO.	DESCRIPTION
16	A/R	00934	SEALANT, RECTORSSEAL
▲ 15	1	02598	BUSHING, HEX, 1 X 3/4, BLACK
▲ 14	2	14343	NIPPLE, 3/4" X CLOSE, BLACK
▲ 13	1	06235	FITTING, HOSE BARB, 1/2"H X 3/4"NPT
▲ 12	1	22119	VALVE, CHECK, 3/4", BRASS
▲ 11	1	20211	TEE, 1", BLACK
10	1	14369	NIPPLE, 1" X CLOSE, BLACK
9	2	14481	FITTING, HOSE BARB, 1"H X 1 1/4"NPT
8	1	05285	ELBOW, 1", BLACK
7	1	14373	NIPPLE, 1" X 3", BLACK
▲ 6	2	08240	FITTING, HOSE BARB, 3/4"H X 3/4"NPT
5	1	03058	CAP, PIPE, 1-1/2" MALLEABLE IRON
4	1	19917	STUD, WELD 1/4-20 X 7/8, S/S
3	1	13252	MANIFOLD, DRAIN 1-1/2 NPT, BLACK
2	1	05292	ELBOW, STREET, 1-1/2 NPT X 90°, BLACK
▲ 1	1	20205	TEE, 3/4", BLACK

TOLERANCES  
(EXCEPT AS NOTED)

**CLEVELAND RANGE INC.**  
1333 East 179th St. Cleveland, Ohio 44110-2574

DECIMAL ± N/A	SCALE 1/2"=1"	DRAWN BY D. DODSON	APPROVED BY
ANGULAR ± N/A	TITLE DRAIN, MANIFOLD ASSEMBLY STEAMCRAFT 10, DIRECT CONNECT		
CK	DATE 2-21-94	DRAWING NO. C - 106815	REV. A

THIS DESIGN DESCRIBES A PROPRIETARY ITEM AND IS THE PROPERTY OF CLEVELAND RANGE. THIS DRAWING IS NOT TO BE COPIED OR USED WITHOUT THE APPROVAL OF CLEVELAND RANGE.

NOTE: SEE DRAWING 260AHV FOR STUD LOCATION INSTRUCTIONS.