

Countertop Refrigerators

Models CTR2.68LD, CTR3.75 and CTR3.75T



Model CTR2.68LD



Model CTR3.75



Model CTR3.75T



Table of Contents

Specifications.....	2	Troubleshooting Guide.....	6
Installation.....	4	Parts List	7
Operation	4	Graphic Template.....	8
Cleaning & Maintenance.....	5		

Thank you for purchasing this quality refrigerator. For your safety and the safety of others, read all warnings and the operator's manual before installing or using the product. Properly instruct all operators. Keep training records.

GMCW

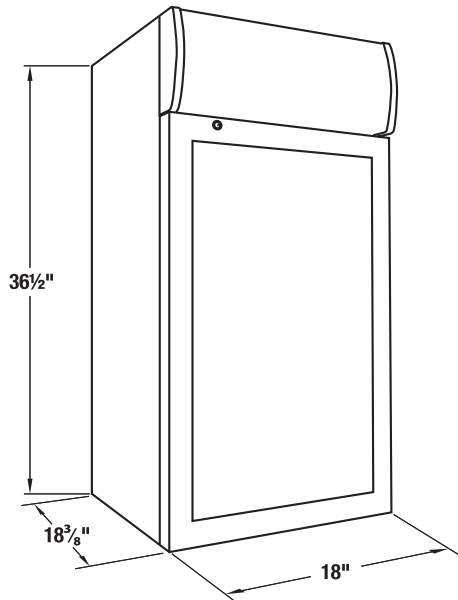
4003 Collins Lane, Louisville, KY 40245 USA
 Phone: 502.425.4776 Toll Free: 800.695.4500
 Fax: 502.425.4664
 Web: gmcw.com Email: info@gmcw.com

GMCW provides the industry's BEST warranty. Visit gmcw.com for warranty terms and conditions.

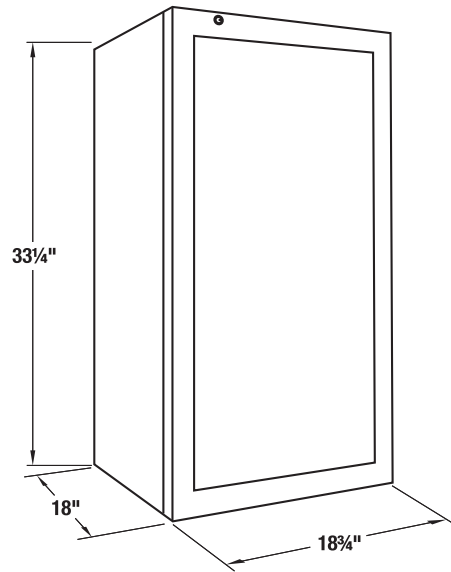


Specifications

Model	Description	HP	Electrical
CTR2.68LD	Refrigerator with illuminated header. 2.7 cubic ft., 4 shelves. C-ETL-US, ETL Sanitation Certification	1/8	120V / 240 W / 2A / 1 Ph
CTR3.75	Refrigerator. 3.8 cubic ft., 5 shelves. C-ETL-US, ETL Sanitation Certification	1/8	120V / 240 W / 2A / 1 Ph
CTR3.75T	Refrigerator with exterior thermometer. 3.8 cubic ft., 5 shelves. C-ETL-US, ETL Sanitation Certification	1/8	120V / 240 W / 2A / 1 Ph



Model CTR2.68LD



Model CTR3.75 and CTR3.75T

Safety Information

Important Safety Information



This is the safety alert symbol. It is used to alert you to potential personal injury hazards. Obey all safety messages that follow this symbol to avoid possible injury or death.

For your safety and the safety of others, read all warnings and the operator's manual before installing or using the product.

DANGER: This term warns the user of imminent hazard that will result in serious injury or death.

WARNING: This term refers to a potential hazard or unsafe practice, which could result in serious injury or death.

CAUTION: This term refers to a potential hazard or unsafe practice, which could result in minor or moderate injury.

NOTICE: This term refers to information that needs special attention or must be fully understood.

WARNING

Follow national and local electrical codes.

Installation should be performed only by a qualified expert. Attempting to install the unit yourself could result in water leakage, refrigerant leakage, electrical shock, or fire.

Use only on electrical power that is properly protected and capable of the rated load.

Use a dedicated wall outlet. Do not use extension cords as this could result in electrical shock, overheating, and fire.

Safety Information (continued)

WARNING

Do not damage the power cord plug. Do not damage, modify, bend, strain, twist, or bundle up the power cord. Also placing heavy objects on the power cord or placing it into a tight place could damage it, possibly resulting in electrical shock or fire.

Never put flammable or volatile substances into the unit, or use flammable products near the unit as sparks from electrical switches could result in explosion and fire.

When disconnecting the power cord plug from the wall outlet, hold at the plug main body close to the outlet. Pulling the cord could cause wire breakage, possibly resulting in overheating and fire.

Always unplug the refrigerator from power supply before servicing or cleaning. Also unplug unit before moving. Inspect cord and plug for damage after transport. A damaged power cord could result in electrical shock or fire.

Store the unit in a location where it is not exposed to rain. Using a unit that has been exposed to rain could result in electrical shock.

For indoor use only. Avoid using the unit in a location exposed to dampness or rain. These conditions could result in electrical shock.

Never splash water directly onto the product or wash with water as electrical shock could result.

Never place heavy objects or items containing water on top of the unit. Objects could fall and cause injury. Spilled water could result in electrical short.

Should the unit need temporary storage, make sure not to store the unit in a location where children play and take precautions so that the door cannot be completely closed. This will minimize the risk that a child becomes trapped inside the compartment.

Make sure the unit does not tip over or fall when it is moved. A falling unit could cause serious injury.

All repairs, disassembly, and modifications should be performed only by a qualified expert. Attempting to service the unit yourself could result in fire, malfunction, and injury.

FAILURE TO COMPLY RISKS PERSONAL INJURY, SHOCK HAZARD, FIRE, OR DAMAGE TO EQUIPMENT.

CAUTION

Install the unit in a location where the floor is sturdy enough to support the load of the unit. If the floor is not sturdy enough, or installation is incorrectly performed, the unit could tip over and falling shelves and products could cause personal injury.

Be sure to attach and secure shelves correctly. An improperly attached shelf could fall down and cause damage or injury.

Grasp the handle when closing the door. Holding at other positions could result in pinched fingers and injury.

Do not push hand against or apply excessive force to glass surfaces as the glass could break and cause injury.

Do not throw items onto the shelves and do not place items totaling more than 30 lbs. on each shelf. The shelf could fall down, possibly causing injury.

Never attempt to insert fingers, sticks, etc. into the cold air suction outlet. A circulation fan is rotating at a high speed inside the outlet. Injury, electrical shock, and improper operation could result.

Never hang from the door or climb onto the unit. The unit could tip over or fall and cause material damage or injury.

The refrigerator is intended for storage and display of food and beverages for sale. Do not use for other purposes as this could adversely affect items placed in the unit.

NOTICE

Keep away from hot air sources. Cooling performance is reduced if the unit is placed near heat sources such as hot plates and stoves and if it is exposed to direct sunlight.

Please leave more than 4" space between refrigerator and wall. If there is less space, cooling capacity will be reduced.

The unit is not suitable for storage of blood, pharmaceutical products, and biological products.

The refrigerator must be positioned so that the plug is accessible.

Installation

NOTICE: For most efficient operation, install the unit in a place which is well ventilated.

Please read this manual before installing the refrigerator.

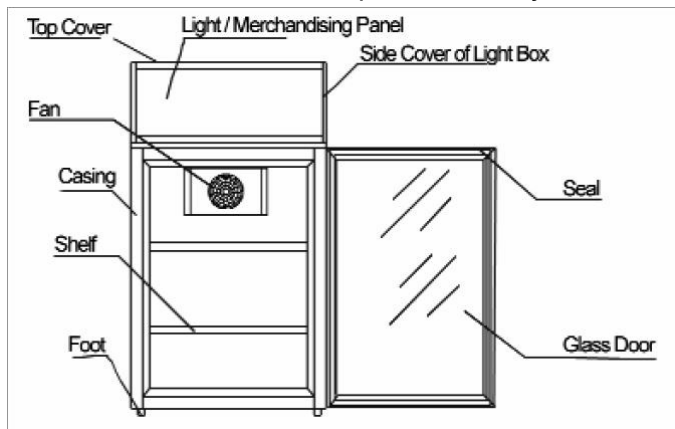
1. Carefully remove package, tape, and other shipping materials and leave door open to ventilate.
2. Level unit by adjusting the feet.
3. The unit is cleaned before shipment. However, clean the compartment interior once after delivery.
4. Insert plug into a dedicated wall outlet. Do not use an extension cord.
5. Allow the unit to operate about 1 hour to cool the compartment before placing items in the refrigerator.

If you need help, call Grindmaster Cecilware Technical Service Department for help, (502) 425-4776 or (800) 695-4500 (USA & Canada only) 8 AM - 6 PM EST.

Prior authorization must be obtained from GMCW for all warranty claims.

Operation

Your new refrigerator is easy to operate and maintain. Before you place it in service, please have all personnel familiarize themselves with these instructions. Keep this manual in a convenient place for ready reference.



Temperature Adjustment

The temperature can be adjusted between approximately 34° F and 45° F.

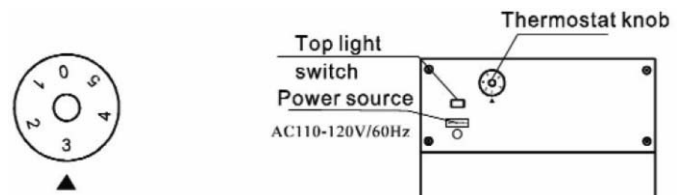
1. Adjust the storage temperature through the temperature controller.
2. The temperature adjustable capacity is from "1"- "5". Adjust the storage temperature by turning the temperature controller clockwise. The "5" setting is for colder storage temperature. The knob can turn

freely but can't turn clockwise from "5" to "1". Factory setting position is on "3" position.

3. Check if the knob is on the appropriate position before using. Frequent adjustments are not necessary.
4. To turn unit off, turn dial to position "0".

Notice: After the unit is turned off, wait 30 minutes before restarting. Restarting immediately after it has been turned off may cause fuses to blow and activate the circuit breaker; the compressor may be overloaded, and/or other damage may occur.

5. Excessive refrigeration will cause increased, unnecessary electricity consumption.



Shelf Height Adjustment

The shelf height can be adjusted. Arrange the shelves in accordance with the dimensions of the items to be placed in the cooler.

Helpful Hints

To prevent cold air from escaping, open and close the door quickly.

Power Failure

In case of power failure, keep opening and closing of door to minimum and avoid placing new items in the refrigerator as this will raise the temperature inside the compartment.

Moving the unit

- Keep the unit vertical when carrying the unit. The angle to the horizontal line should not be over 50°, otherwise it will damage the compressor and affect normal operation of the unit.
- Use care not to damage feet.
- Do not allow feet to damage power cord. Inspect cord before plugging into outlet.
- Level the unit using adjustment on the feet.
- After moving the unit, let it stand for 30 minutes before switching it on.
- If the unit was previously running: Close the door and connect the power. Turn on the light switch. The temperature should be suitable for normal use after half hour.
- If the unit was not previously running: After connecting the power, the unit should be kept empty for one hour.

Cleaning & Maintenance

Cleaning Instructions

▲ WARNING Disconnect the power supply before performing maintenance on the refrigerator.

▲ WARNING Never splash water directly onto the product or wash with water as electrical shock could result.

NOTICE: Never use polishing powder, soap powder, benzine, oil, or hot water as these will damage the painted and plastic components.

Clean regularly:

- Wipe with a soft, dry cloth. If very soiled, wipe with a cloth that has been moistened with a mild detergent. Then wipe with a damp cloth moistened with water. Dry with a soft cloth to prevent rust. Do not use a hard brush to clean the case.
- To keep the door gasket clean, remove it from the door and wash it. Dry and replace the seal. Putting some talcum powder on the magnetic surface would prolong its service life.

Maintenance

To ensure safety, perform the following checks after cleaning:

- Confirm the power plug is firmly inserted into a dedicated wall outlet.
- Check the power cord for cracks and damage. If damage is observed, a new power cord is required. Contact the dealer from whom the unit was purchased or our customer service department.

To replace the light bulb:

- Remove the top cover, take out the light, and replace with a new bulb of same wattage.

Defrosting

Defrosting is performed automatically and drain water is collected in the drip tray.

Storage

▲ WARNING Affix item such as piece of wood between door and compartment to prevent complete closing of the door. Should a child enter the compartment and the door is closed, the child may not be able to open the door from inside the unit and could suffocate.

Prolonged Storage

If the unit will not be used for a long time, remove items from refrigerator, disconnect the power, and clean it by following the above steps. Then clean the inside of the case with a soft cloth. Discard the water in the drip tray. To prevent mold formation or foul smell, leave door open to dry the compartment completely.

Troubleshooting Guide

Before you call for help, please read the following:

▲ WARNING Unplug power cord from outlet before cleaning or servicing your unit.

Problem	Possible Cause	Solution
No refrigeration	Power cord disconnected from wall outlet.	Check power cord.
	Circuit breaker activated.	Check breaker box for tripped circuit breaker or blown fuse.
Poor refrigeration	Temperature setting incorrect.	Adjust temperature control knob to colder setting.
	Items obstructing the cold air inlet or suction outlet.	Move items away from air inlet and outlets.
	Stored items packed too tightly.	Redistribute items or reduce quantity.
	Door left open or opened and closed frequently.	Limit amount of time door opened.
	Condenser clogged.	Remove dust and debris with air or have professionally cleaned.
Excessive noise	Not all feet touching floor.	Adjust feet.
	Rear panel contacting wall or other objects.	Move unit away from wall or items away from unit.
Condensation on cooler exterior	Condensation may form on the exterior of the door during hot and humid days or depending on the place of installation. This occurs when the humidity is high and water particles in the air contact cold surfaces.	This is normal. Wipe away condensation with a dry cloth.

If you still need help, call GMCW Technical Service Department, (502) 425-4776 or (800) 695-4500 (USA & Canada only) (Monday through Friday 8 AM - 6 PM EST). Please have the model and serial number ready so that accurate information can be given.

Prior authorization must be obtained from GMCW for all warranty claims.

GMCW provides the industry's BEST warranty. Visit our website at GMCW.com for warranty terms and conditions.

Parts List

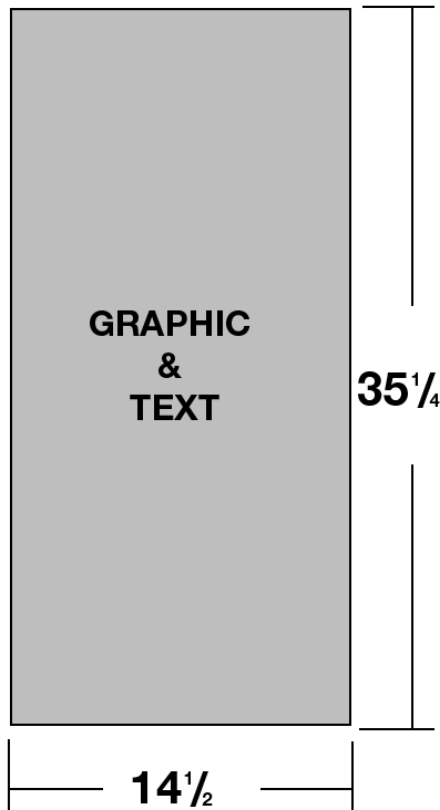
Description	CTTR2.68LD	CTR3.75	CTR3.75T
Big Foot	08711L	08711L	08711L
Bottom Basket Shelf	x	08726L	08726L
Canopy Logo Plastic	08705L	x	x
Compressor	08707L	08707L	08707L
Dryer	08708L	08708L	08708L
Fluorescent Lamp	08710L	08709L	08709L
Glass Door	08716L	08717L	08717L
Hinge Bottom	08718L	08718L	08718L
Hinge Upper	08720L	08720L	08720L
Key to Lock	08731L	08731L	08731L
Lock	08730L	08730L	08730L
Power Supply Cord	08721L	08721L	08721L
Shelf	08725L	08727L	08727L
Side Canopy Cover Left	08728L	x	x
Side Canopy Cover Right	08729L	x	x
Small Foot	08712L	08712L	08712L
Switch	08701L	08701L	08701L
Thermostat	08703L	08703L	08703L

x = not applicable

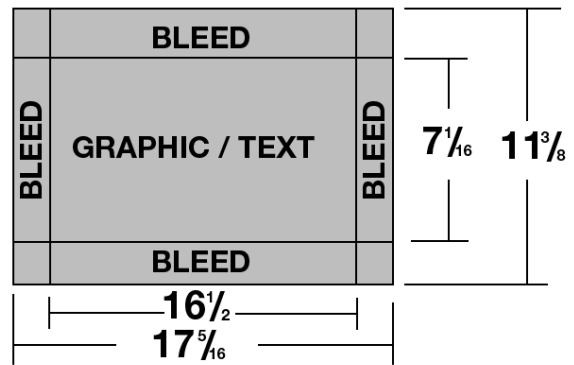
Graphic Template

Lighted Display Model CTR2.68 ONLY

SIDE PANEL GRAPHIC: CTR 2.68LD



Illuminated Header Transparency



GMCW

4003 Collins Lane, Louisville, KY 40245 USA
Phone: 502.425.4776 Toll Free: 800.695.4500
Fax: 502.425.4664
Web: gmcw.com Email: info@gmcw.com

©2015 GMCW
Printed in China



0415 Form # CW-311-03
Part # NR68A