

OWNER'S MANUAL

CamKiosk™ Hand Sink Cart

This manual applies to the following CamKiosk Hand Sink Cart models:

KSC402
KSC402220



CAMBRO
MANUFACTURING COMPANY

DURABILITY THAT MAKES A DIFFERENCE®

Table of Contents

Assembly

- 1.Parts Checklist..... 2
- 2.Assembly Instructions..... 2

Start Up and Daily Operation

- 1.Hand Sink Start Up..... 3
- 2.Daily Operation and Changing Tanks..... 4
- 3.Connecting Hand Sink to CamKiosk..... 4

Troubleshooting Guide

- 1.Water Heater..... 5
- 2.Water Pump..... 5

Cleaning Instructions

- 1.Cleaning and Maintenance Instructions..... 6
- 2.Proper Hand Washing Procedures..... 6

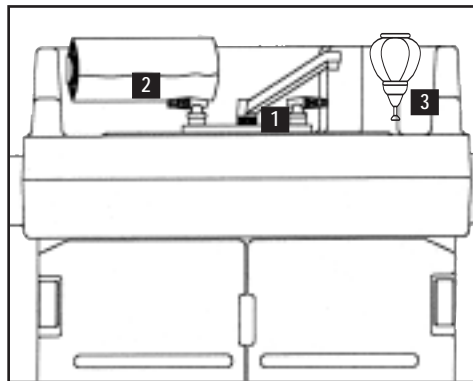
Replacement Parts..... 7

Warranty and Service.....Back Cover



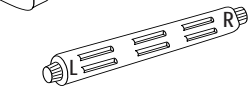
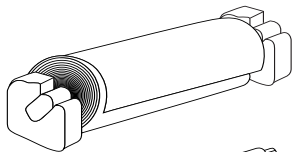
Hand Sink Cart Parts

- 1 One faucet spout
- 2 One towel holder center bar
- 3 One soap dispenser
- 4 Two waste water tanks (Gray)
- 5 Two fresh water tanks (White)

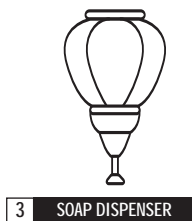


Assembly Instructions

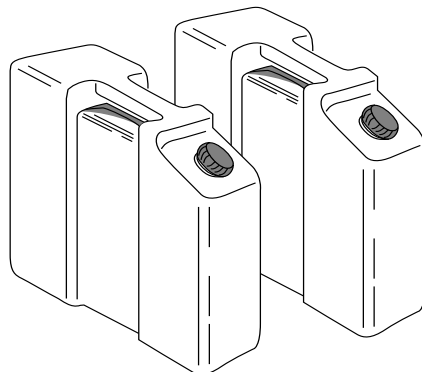
1. Install faucet spout by carefully positioning into center port and then carefully tighten collar nut.
2. When placing towel bar into bracket, make sure roller bar is in proper position. Use *L* and *R* markings on roller so towel roll is feeding from top of roll towards operator.
3. Make sure drain flex line is positioned so it can flow to either waste tank when properly placed in lower compartment. See *Start Up & Daily Operation* for details.



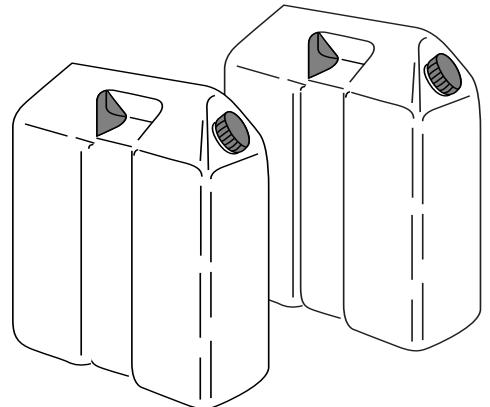
2 TOWEL HOLDER



3 SOAP DISPENSER



4 WASTE WATER TANKS

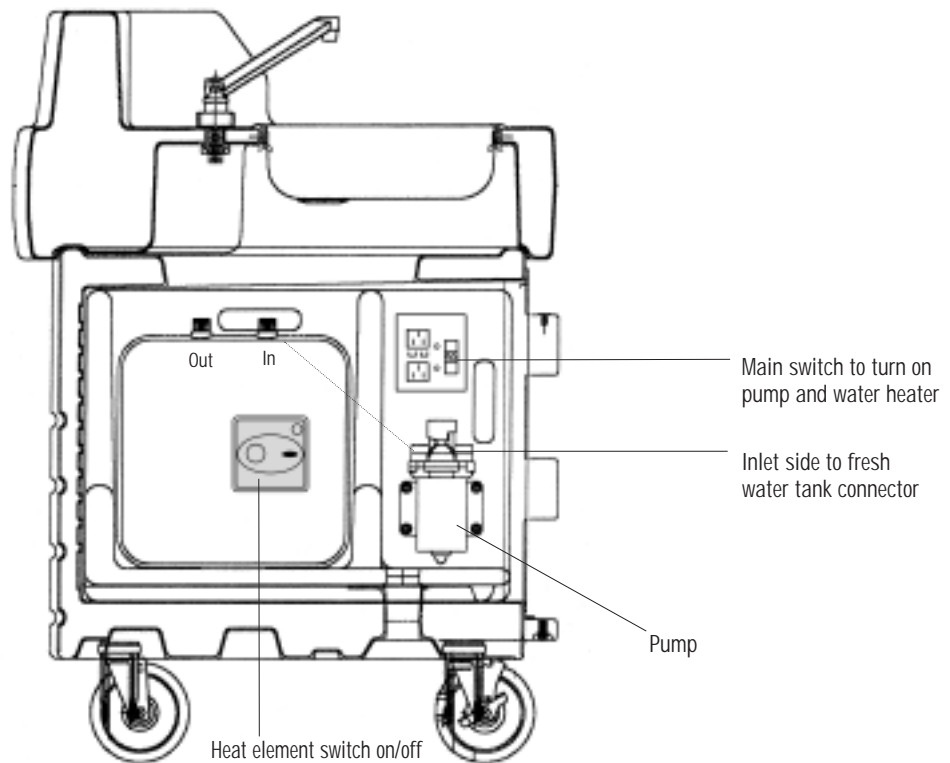
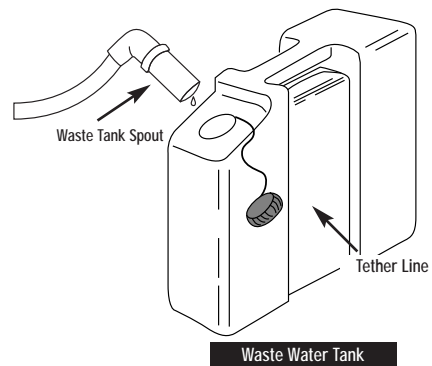
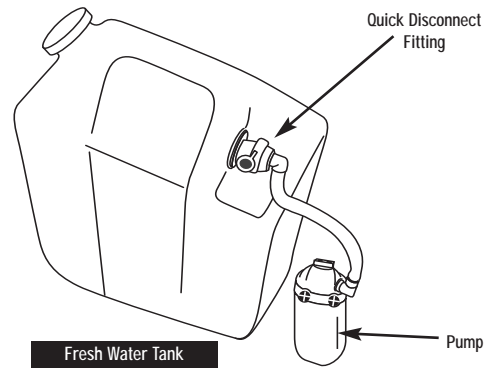


5 FRESH WATER TANKS

Start Up

First Time Use of Hand Sink Cart

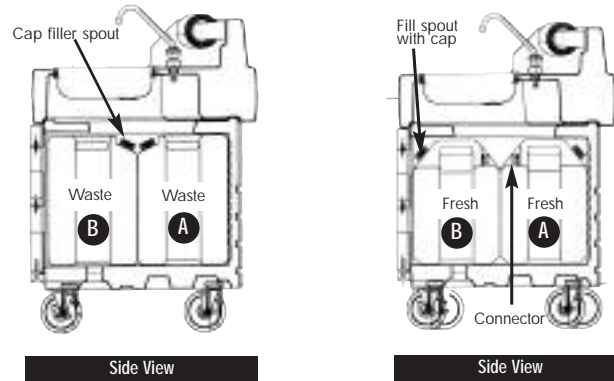
1. Fill one of the fresh water tanks with tap water, reconnect pump line to water tank connector, and loosen cap for ventilation.
2. Check that drain nozzle is in the waste tank spout. Leave cap to hang by tether line.
3. Plug in electric cord to a convenient 110V outlet. (Use 220V outside of U.S.). CEE 7 Type Euro Plug (**Must use a grounded 3 wire type cord.**)
4. Open *hot* side valve on faucet about one quarter turn. Turn switch on electric box to start pump. With water heater turned *off*, allow pump to fill water heater until water begins to run out faucet spout, then shut valve.
5. Do the same for the *cold* side of faucet. This will *bleed* off air in water lines.
6. Turn *on* switch on side of water heater, (switch will light up) and allow time for heater to begin heating water inside tank. Allow approximately ten (10) minutes.
7. Place second set of tanks in front area pushing first set to the back of cart. Close door.
8. You are now ready to use the Hand Sink Cart.



Daily Operation

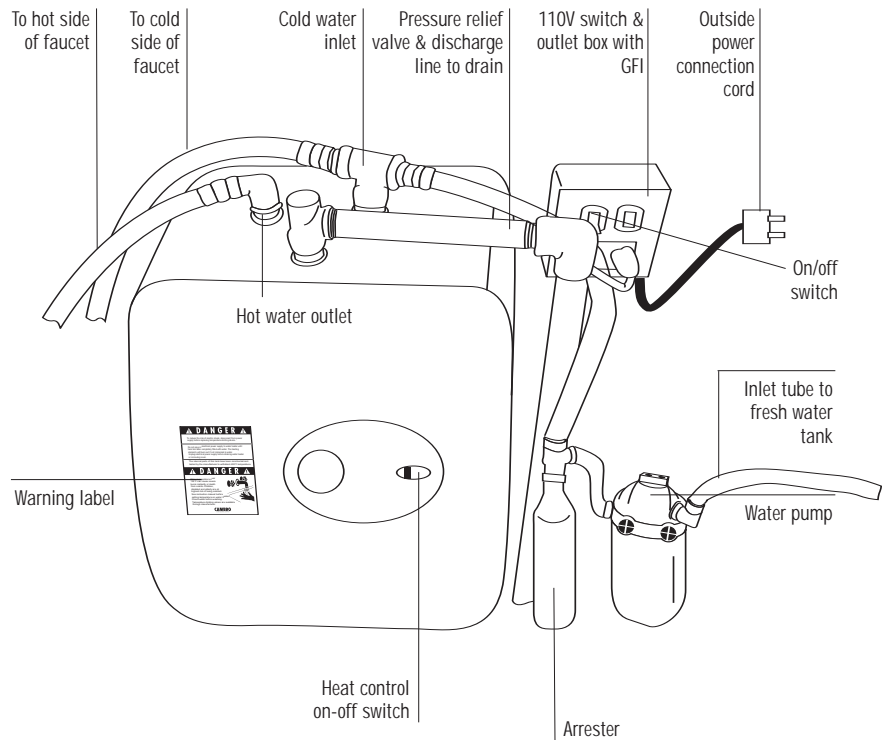
Daily Operation

1. Fill both fresh water tanks.
2. Place one set of tanks (fresh and waste) into sink cart and connect drain and pump lines as stated in *Start Up*.
3. Push to the back of the sink cart cabinet.
4. Place second set of tanks in front area for later use and close doors.



Changing Tanks

1. To change to second tank supply, remove front fresh water tank.
2. Switch drain line nozzle to front waste tank (B).
3. Switch pump line from empty water tank to second full tank and place back into its position in front.
4. Briefly turn on faucet to check that pump is moving water through system. If so, close doors. You're ready with 5 gallons more.



See your water heater manual for adjusting water temperature.

Connecting Your Hand Sink Cart to a CamKiosk

Note: you will need one Bridge Connector (CamKiosk accessory KMC24, sold separately.)

1. With both Hand Sink Cart and CamKiosk positioned the proper distance, place top bridge so that it engages with handles of both carts.
2. Install clamp pieces so that they fit over underside of handles on either side and tighten with 4 arm knobs at each slot position.
3. Using ¼" thumb screws, place strap brackets on either side of open space between carts, look for threaded insert at front corner of each cart, along bottom edge.
4. Position front panel on strap brackets and install ¼" thumb screws into inserts on bottom edge of panel (leave loose).
5. Going under top bridge, install ¼" X 2 ½" long 3 lobe knobs through slots in top of front panel and tighten against top bridge's front section.
6. Once front panel is properly positioned, tighten bottom ¼" thumb screws either side along bottom edge of panel and both cart bodies.

Troubleshooting Guide

Ariston Water Heater Unit

Water Does Not Get Hot

- Make sure power supply is on and working.
- If light does not come on, check that the reset button is pushed in. This is found behind the face cover of the unit. You will need a Phillips screwdriver.
- If indicator light works properly but temperature does not get hot at the tap, test for a plumbing crossover; shut off cold supply to heater and open hot water tap. No water should be flowing. Any continued flow indicates a crossover which will affect the temperature and will need to be corrected.
- Heating element may need to be replaced. (Please refer to your Ariston water heater handbook for replacement instructions.)

Light Not on

- If light does not come on, but water gets hot, check for faulty bulb.
- Check reset button mentioned in earlier section.

Brown Water

Brown or rusty water indicates a “spent” anode rod. Replace anode rod.

Odor in Water

Smelly water could be due to an unusual reaction between local water and the heater’s anode rod. Check anode rod. (See section on changing anode rod in Ariston handbook.)

Water Is Too Hot

Remove face plate on front of heater and rotate the temperature selector counter-clockwise to lower temp. If temperature never lowers, then replace the thermostat. (See heater handbook for details on this operation.)

Leaking

Periodically check all water fittings to and from heater unit. Also remove the face cover and check the gasket to the heating element inside.

Note : Always keep this operator’s manual and the Ariston water heater handbook together for operation reference and troubleshooting points.

Water Pump

Pump Will Not Start

- Is the motor hot? Thermal breaker may have triggered; it will reset when cool.
- Check wall outlet for voltage (fuse or breaker).
- Check pressure switch operation and correct voltage at switch or motor wires.
- Check rectifier or motor for open or grounded circuit.
- Check for locked drive assembly.

Pump Will Not Prime

- Out of product?
- Check strainer for debris.
- Check Inlet tubing / plumbing for severe vacuum leak.
- Inlet / Outlet tube severely restricted (kinked)
- Check for debris in pump inlet / outlet valves.
- Proper voltage with the pump operating (+/- 10%)
- Check pump housing for cracks.

Leaks from Pump Head or Switch

- Check for loose screws at switch or pump head.
- Is switch diaphragm ruptured or pinched?
- Check for punctured diaphragm if fluid is present at bottom drain holes.

Pump Will Not Shut off (Pressure switch equip.)

- Output line closed and no leaks
- Check for air trapped in outlet line or pump head.
- Check for correct voltage to pump (+/- 10%)
- Check Inlet / outlet valves for debris or swelling.
- Loose drive assembly or head screws.
- Pressure switch operation / adjustment incorrect. Refer to pump (Shurflo) service bulletin #1031 for differential and pressure adjustment procedure.

Noisy/Rough Operation

- Mounting feet are compressed too tightly.
- Loose pump head or drive screws.
- Does the mounting surface multiply noise? (flexible)
- Is pump plumbed with rigid pipe causing noise to transmit?

Note: This pump is to be used for the circulation of water only. No solvents—especially flammable liquids—are to be used in this system.

Cleaning Instructions

Water Tanks

Disconnect the outgoing line from tank and empty the tank. Wash out with a mild detergent using a soft brush and rinse with fresh water. Always empty the tank after using and store empty.

Waste Water Tank

Empty the tank and wash out with a mild detergent using a soft brush and rinse with fresh water. Always empty the tank after using and store empty.

Casters

Caster maintenance should be performed each time the Hand Sink Cart has been washed or steam cleaned.

1. Grease swivel raceway of caster using a lubricant such as Lubriplate #930-AA, Keystone #84EPXLT multi-purpose grease or equivalent. Apply grease using a grease gun with a needle nose adapter or a tube-type applicator such as Sta-lube Moly-graph Assembly Lube. If caster is equipped with a zerk grease fitting, use a standard connector on grease gun. These can be obtained at most auto parts stores.
2. On casters with a nylon bushing at the hub, use a light oil such as WD-40. No lubrication is needed on casters with a bearing hub wheel.
3. Check caster for damage and test caster spin and swivel rotation before returning to service.

Stainless Steel Hand Sink Cart and Faucet

Under ordinary conditions, light swabbing with soap or detergent, rinsing with clear water, and wiping with a cloth or dish towel should remove everyday dirt. Occasional scouring with a household cleanser is recommended. Remember to rub in the direction of the grain lines in the metal. **Never use steel wool or sharp knives to clean your sink.** The Hand Sink Cart is manufactured for hand washing capability, not for food preparation. If food is placed in the sink, please beware that some food, such as mustard, mayonnaise, lemon juice, vinegar, or salt are acidic or contain chlorides that will attack and corrode stainless steel if left in the sink for extended periods.

Soap Dispenser

Rinse out soap container with warm water. The dispenser handle should be cleaned daily with a clean wet cloth. Never use abrasive cleaners, detergents or steel wool.

Proper Hand Washing Procedures

(As recommended by HACCP and FDA)

Hands should always be washed after using the bathroom, coughing, sneezing, or touching any kind of soiled objects or surfaces.

1. Using soap and warm water (105°F [40,6°C]), rub hands vigorously for 20 seconds. Wash all surfaces, including:
 - a. Backs of hands
 - b. Wrists
 - c. Between fingers
 - d. Under fingernails (using a nailbrush)
2. Rinse well with warm water.
3. Dry hands with paper towel.

Food handlers must wash hands:

- Before and after touching raw poultry, meats or fish, shell eggs and fresh produce.
- After touching dirty dishes, equipment, and utensils.
- After using cleaners or chemicals.
- After touching trash, floors, soiled linens, etc.
- After touching head, hair, mouth, wounds, or sores.
- After performing personal needs, eating, smoking, etc.

Replacement Parts

CODE	DESCRIPTION
Casters	
60032	1-Left Side Caster 6" Rigid Type, 4-Bolts
60033	1-Right Side Caster 6" Swivel w/Brake, 4-Bolts
44018	1-Impact Plate
Doors	
60195	1-Latch Strike Plate, 4-Screws, 4-Star Washers
46038	1-Three Lobe Knob, 1-Sink Top Stud
7375	Left Door w/Hardware: 1-Left Door, 3-Pivot Pin, 2-Star Washers, 2-Screws
7376	Right Door w/Hardware: 1-Right Door, 3-Pivot Pin, 2-Star Washers, 2-Screws
60196	1-Latch Hook, 2-Screws, 2-Star Washers
42128B	1-Aluminum Hinge Pivot Pin
42238	1- 3" Hinge Pin
42133	1-Pin Lock Clip
Faucet	
47500	1-Chrome Faucet
47537	1-Chrome Faucet ADA Type
Gaskets	
12131	1-Gasket for Cap Assembly
Sink	
47501	1-Stainless Steel Sink 2 Compartment
47502	1-Drain Basket w/Strainer
47400	1-Center Outlet Assembly
47180	1-2" O.D. Worm Type Hose Clamp
47503	1-Drain, 1-Waste Arm Slip Joint
47504	1-36" Drain Flex/Straight Hose Line (Waste Water)
Soap Dispenser	
60214	1-Soap Dispenser, 3-Screws
Tanks	
46036	1-Quick Connect Female Coupling (fresh water tank only)
47412	1-Siphon Tube 3/8" Polytube 24" long (fresh water tank only)
60197	Cap Kit (both fresh & waste tanks): 1-2" Threaded Cap, 1-Tether Line, 1-Strap Adapter, 1-White Gasket
Towel Holder	
47505	1-Towel Saver Paper Towel Holder
Water Heater Rack Assembly	
60190	Water Heater Kit (110V)
60193	1-Pressure Valve, 1-Three Piece Blow Tube
60191	110V Water Pump Kit
47409	1- 1/2" Pipe Threads Street Elbow 90° (Bronze Fitting)
60192	1-Electrical Switch/Outlet Box 110V, 4-Pan Head Screws
47405	1-30" Braided Water Connector

CODE	DESCRIPTION
47406	1-12" Braided Water Connector
60218	Hammer Arrester Pressure Chamber Kit: 1-Hammer Arrester Unit, 2-Pipe Nipples, 1-Washer, 1-Pipe Tee Fitting, 2-Braided Water Lines, 1-Mount Clip, 1-Pan Head Screw
60225	1-Water Supply Hose, 1-Male Quick Disconnect Fitting w/Hose Clamp
47408	1-Pipe Tee 1/2"
47416	1-Pipe Nipple 1/2"
Water Heater Rack Assembly	
47417	1-Hammer Arrester
60194	1-Pipe Fitting Kit
46037	1-Quick-Connect Male 90°, (for tank to pump line)
47295	1-Wire Tie or Strap
47286	1 Sink Tether Line for Cap Assembly for KSC40220
73811	1-Fresh Water Tank w/Cap & Tether / Quick-connect Fitting
738225	1-Waste Water Tank w/Cap & Tether
Well Cover	
7385	1-Sink Well Plug Section (work deck)
45311	1-Clamping Disc
S06006	3 Lobe Knob with Threads
Special Order - International or Overseas Model KSC40220	
60209	220V Water Heater Kit: 1- Water Heater, 2-Hex Bolts, 2-Flat Washers S.A.E., 2-Nuts
60210	220V Water Pump Kit: 1-Water Pump 220V SHURFLO, 4-Hex Bolts, 8-Flat Washers S.A.E.
60291	220V Water Pump Kit: 1-Water Pump 220V FLOJET, 4-Hex Bolts, 8-Flat Washers S.A.E.
60211	220V Electrical Switch Box Kit: 4-Pan Head Screws, 1-Power Cord w/Sealed Plug, 1-Switch Box, 1-Switch Box Cover, 1-Off/On Switch 220V, Switch Plate, 1-Straight Strain Relief, 1-90° Strain Relief, Indicator light
47530	1-220V Indicator Light
47521	1-Switch 220V
47517	1-220V PRCD Trip Switch - G.F.I.
47410	1-90° Male Elbow FloJeT Pump only 220V
60266	1-Switch Box, 1-Flip Cover, 1-Gasket, 8-Screws, 1-Switch Plate, 1-Switch 220V On/Off
47518	1 Power Cord for 220V with CEE7 Euro Plug
47519	1 J-Box for 220V Switch
47520	1 Switch box Flip Cover for 220V
47522	1 Sink Strain Relief for 220V
47523	1 Sink Strain Relief 90° for 220V
47543	Switch Plate (wallplate for inside box)

Warranty

Cambro offers a one year warranty on the Hand Sink Cart, water heater & water pump. In order to activate the warranty, you must complete and return the Warranty Registration Card. If you have any questions regarding the warranty, please call us on the Customer Service Hot Line 800 833 3003.

Service

If you have any questions regarding the CamKiosk or Hand Sink Cart, please contact your Authorized Cambro Sales Representative or the Cambro Customer Service Hot Line 800 833 3003.

TO ORDER REPLACEMENT PARTS:

- Call Cambro Customer Service at 800 854 7631 or
- Fax your order to 714 842 3430 or
- Call your local Cambro Representative or Distributor