



NITRON₂TM

Cold Draft Dispenser

Great Design

Keg Free – Achieve a nitro infusion with no kegs to change-out, store, clean or sanitize! Uses one gallon concentrate BIBs or caddy packs that staff are already familiar with and each BIB yields 5 to 23 gallons of finished drinks.

Artful Styling – Craft chrome tap handles and customizable LED-lighted door graphics create a unique look to catch consumers' attention.

Two beverages from a Narrow Footprint – Offer two different Cold Brew or Iced Coffees, Standard or Nitro from one slim, 10-inch wide countertop design.

Quality in the Cup

The Nitro Coffee Experience – No milk or sugar needed! The BUNN exclusive in-line gas infuser produces up to 3 minutes* of cascading micro-bubbles, resulting in a nitro cold brew crowned with a smooth, silky, stout-like head that tastes distinctively creamy with a velvety soft mouthfeel.

Proven Technology – Leveraging our consistent and reliable High Intensity® mixing chamber assures a perfectly blended finished beverage, from cup-to-cup.

*Results based on product concentrate used



NITRON₂TM

Cold Draft Dispenser

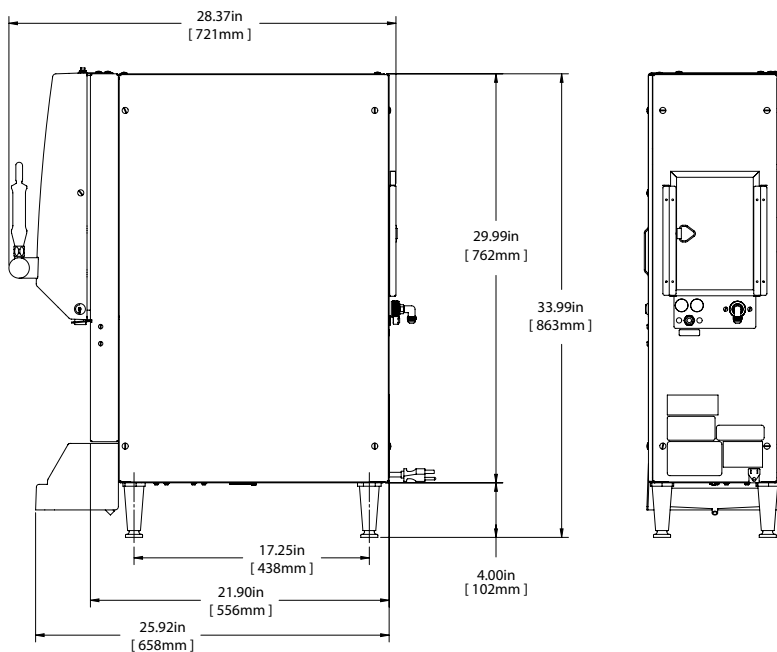
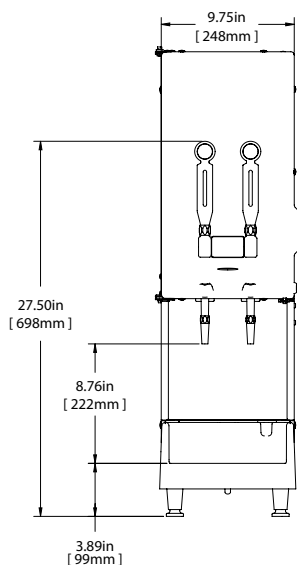
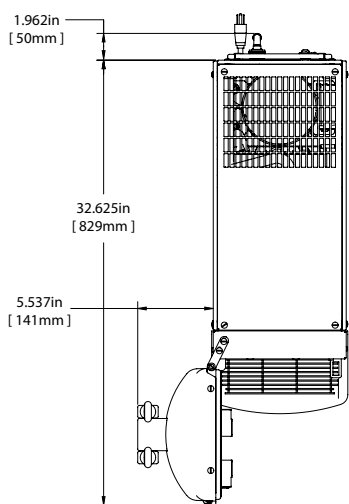
10" W x 28.4" D x 34" H
(254mm W x 721.36mm D x 863.6mm H)

Capacity: 7.5 gallons per hour before exceeding 41°F
(75°F incoming water)



Technical Data

MATERIAL	Metal Housing and Stainless Steel
FLOW RATE	1.0oz - 1.5oz per second
GAS	Food-Grade Nitrogen Required
VENTILATION	6" Back and top
MINIMUM WATER INLET PRESSURE	30 PSI
MAXIMUM WATER INLET PRESSURE	90 PSI
WATER SUPPLY CONNECTION	3/8" MFL
MINIMUM N2 INLET PRESSURE	120 PSI
MAXIMUM N2 INLET PRESSURE	130 PSI
HIGH PRESSURE N2 REGULATOR (sold separately)	120 PSI Maximum Output
ICE BANK	8 lbs
FULL ICE BANK CAPACITY	Approximately 4 hours



DESCRIPTION			CAPACITY		ELECTRICAL						SHIPPING	
Product #	Model	Finish	Gal/hr	Volts	Amps	Watts	Hertz	Phase	Plug	Cord Attached	Weight	
51600.0000	Counter Top	Black/SS	7.5	120	4.5	540	60	1	NEMA 5-15p	Yes	130lbs (58.96kg)	

Plumbing: 30-90 PSI. Machine supplied with 3/8" male flare fitting.

This is a pre-launch informational sales flyer. BUNN reserves the right to make product design changes prior to publishing the approved Specification Sheet.