

# TD3T-N Dispenser w/Brew-Thru Lid

Height: 22.5" Width: 6.2" Depth: 19.9"  
(57.2cm) (15.7cm) (50.5cm)



- Removable liner for easy cleaning
- 8" cup clearance
- For use with BUNN TB-3, TB-3Q, ITB and ITCB brewers with 29" trunk height
- Front - back handles for reduced counterspace usage
- Ships with full-color iced tea decal
- Sight gauge shows product level in dispenser
- Sump dispense valve assures complete dispensing
- Two dispensers, placed side-by-side, allow added flexibility and capacity within a similar footprint as as standard dispenser width

Agency:



## Specifications

**Product #:** 43900.0001

**Finish:** Stainless

**Handle:** Front/Back Carry Handles

**Lid Color:** Brew-Through Smoke Lid

## Additional Features

Lift Dispense Faucet

## Holding Capacity

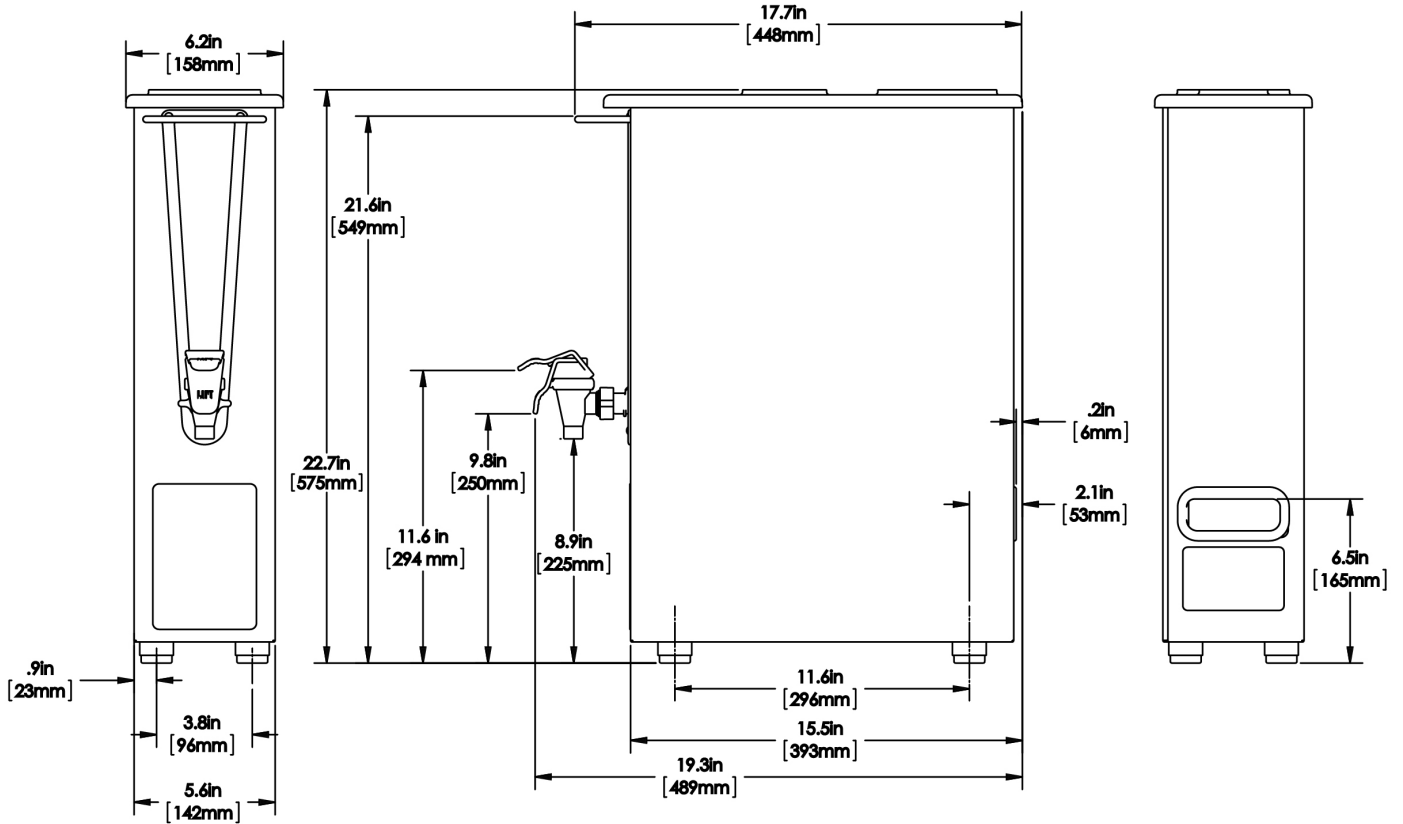
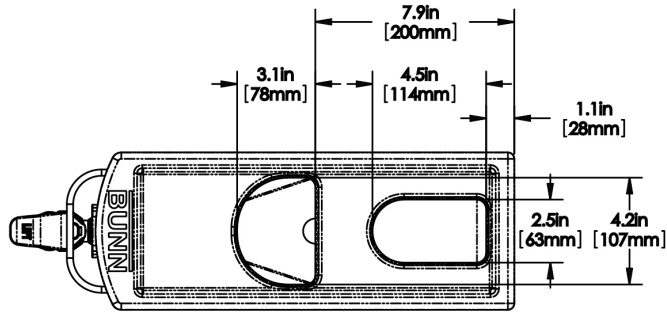
English	Metric
448 oz.	13.2 L

 **WARNING:**



BUNN® reserves the right to change specifications and product design without notice. Such revisions do not entitle the buyer to corresponding changes, improvements, additions or replacements for previously purchased equipment. For most current specifications and other info visit [bunn.com](http://bunn.com).

**Last Updated:**  
04/29/2022



	Unit			Shipping				
	Height	Width	Depth	Height	Width	Depth	Weight	Volume
English	22.5 in.	6.2 in.	19.9 in.	25.1 in.	7.5 in.	20.9 in.	15.000 lbs	2.283 ft <sup>3</sup>
Metric	57.2 cm	15.7 cm	50.5 cm	63.8 cm	19.1 cm	53.2 cm	6.804 kgs	0.065 m <sup>3</sup>



BUNN® reserves the right to change specifications and product design without notice. Such revisions do not entitle the buyer to corresponding changes, improvements, additions or replacements for previously purchased equipment. For most current specifications and other info visit [bunn.com](http://bunn.com).

Last Updated:  
04/29/2022

## Related Products & Accessories:TD3T-N Dispenser w/Brew-Thru Lid(43900.0001)



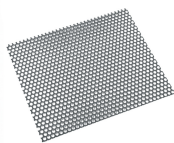
DRIP TRAY KIT (2.5\"/>

Product #: 02497.0000



DRIP TRAY

Product #: 02545.0000



COVER, DRIP TRAY-PERFORATED

Product #: 02546.0000

RESERVOIR, TD3T-N  
REMOVABLE

Product #: 44309.0003

LID, BREW THRU TD3T-N

Product #: 44310.0003



KIT,OLD SH/GPR/  
NUDGE/LIFT HANDLE  
ADAPTER

Product #: 57514.0000



BUNN® reserves the right to change specifications and product design without notice. Such revisions do not entitle the buyer to corresponding changes, improvements, additions or replacements for previously purchased equipment. For most current specifications and other info visit [bunn.com](http://bunn.com).

Last Updated:  
04/29/2022

# Model Compatibility: TD3T-N Dispenser w/Brew-Thru Lid(43900.0001)

\*Serving and Holding selections are currently unavailable. Please contact your sales representative to find out more information.\*



BUNN® reserves the right to change specifications and product design without notice. Such revisions do not entitle the buyer to corresponding changes, improvements, additions or replacements for previously purchased equipment. For most current specifications and other info visit [bunn.com](http://bunn.com).

Last Updated:  
04/29/2022